

About us

We are a leading manufacturer of professional refrigeration and catering equipment, recognised for many years in Poland and abroad. Modern technical facilities, many years of experience, passion, commitment and attention to detail guarantee the highest quality of our products.

The best materials and well thought-out designs make our devices reliable, energy-efficient and long-lasting. COLD devices are used in supermarkets, delicatessens, local shops, confectioneries, ice cream parlours, coffee shops, petrol stations and other retail outlets.

We export our products to many EU countries, Russia, Ukraine, Asia and North America and Australia.

Reliability of workmanship, competitive prices, short lead times and willingness to meet individual customer needs have earned COLD a large group of satisfied customers.



REFRIGERATED DISPLAYS	5	NAPOLI (W-N) NW/NZ-V.....	89
MODENA series	7	RODA (W-G)	91
W-PSU	9	RODA LUX (W-G LUX)	93
W-PSU-K	11	RODA (W-G) NW/NZ-V	95
W-PVU.....	13	HAMBURG (W-NG).....	97
W-PVU-K.....	15	HAMBURG (W-NG) NW/NZ	99
W-PSP	17	BALI	101
W PSP-K.....	19	PASTRY DISPLAY COUNTERS	105
W PSP-k-D	21	MALAGA (C-PN-W).....	107
W-PVP	23	CARMELLO (C-GN)/(C-GN W).....	109
W-PVP-K	25	LAGUNA	111
W PVP-k-D.....	27	VISION (C-SP).....	113
W-PVP-K-GN	29	AMARETTO C-G-g	115
W-PVP NW/NZ.....	31	COSI C-G	117
W-PVK.....	33	ATENA-504 (SW-504)	119
W-PVK-K	35	ATENA-604 (SW-604)	121
VERONA series	37	ATENA-IV-DR (SW-IV-DR)	123
W-PS-K	39	ICE-CREAM DISPENSERS	127
W-PS-K-V	41	MALIBU W-DL.....	129
W-PS-K NW/NZ-V	43	GALAXY	131
W-PS-K-O	45	GALAXY ECO	133
W-PP-K.....	47	COOLING CABINETS	137
W-PP-K-V	49	BOSTON (S).....	139
W-PP-K-D.....	51	BOSTON A/G (S A/G)	141
W-PP-K-V-D.....	53	ASTANA DP (SW-DP)	143
W-PP-K NW/NZ-V	55	ASTANA-II-DP (SW-II-DP)	145
W-PP-v-k GRANDE.....	57	ASTANA-DP-A/G (SW-DP A/G).....	147
DEHLI series.....	59	ASTANA-DR (SW-DR)	149
W-DP-k-v.....	61	ASTANA-DR A/G (SW-DR A/G).....	151
OTHER SERIES	63	ASTANA-II-DR (SW-II-DR).....	153
BRAGA (W-S)	65	DISPLAYS	159
BRAGA (W-S) NW/NZ-V.....	67	R-BERGAMO	161
VIGO (W-S-W)	69	R-KREDENS.....	163
VIGO (W-S-w) NW/NZ-v	71	YOKOHAMA.....	165
BRAGA-SG (W-SG).....	73	YOKOHAMA GLASS.....	167
BRAGA-SG (W-SG) NW/NZ-V.....	75	YOKOHAMA ONE	169
VIGO-SG (W-SG-W)	77	ALABAMA (R-NA)	171
VIGO-SG (W-SG-w) NW/NZ-v.....	79	CROCO	173
ARIZONA	81		
NEVADA (W-SGS/W-SGSP)	83		
NEVADA (W-SGSP) NW/NZ	85		
NAPOLI (W-N)	87		

COOLING MULTIDECKS	179	ISLANDS	263
EVEREST series	181	MILLENIUUM (W-MR/G)	265
EVEREST (R-E)	183	MILLENIUUM PANORAMA	267
EVEREST (R-E/o)	185	OSLO (W-MR/G/O).....	269
EVEREST DR	187	ODESSA (W-MR/G/SN).....	271
EVEREST DR/o	189	PETERSBURG W-MR/G/P	273
EVEREST DP/o.....	191	LINEAGASTRO	277
EVEREST DP.....	193	SALAD COUNTER	279
BARI series.....	195	BAIN-MARIE.....	281
BARI (R-B).....	197	CASHDESK	283
BARI (R-B)-DR.....	199	LineaGastro LAGUNA	285
BARI (R-B)/o.....	201	NEUTRAL EQUIPMENT	287
BARI (R-B)-DR/o	203	FRUIT AND VEGETABLE ISLAND	289
BARI (R-B) DR/W.....	205	FRUIT AND VEGETABLE MULTIDECK.....	291
REMO series	207	HAND DISINFECTION STATIONS	293
REMO (R)*655	209	SaniPoint	295
REMO (R)*900	211	COLOURING	296
REMO (R)*655/o	213	PROJECTS	298
REMO (R)/o.....	215		
OTHER SERIES.....	217		
PRAGA (R-P).....	219		
PRAGA (R-P)/o.....	221		
TOKYO (R-SN).....	223		
OXFORD (R-PS)	225		
SAPORO R-S/o.....	227		
MILANO (R-M)	229		
MONZA (R-M n/o).....	231		
EMPOLI.....	233		
MONTANA	235		
LISBONA (R-P DR)	237		
LISBONA/o (R-PDR/o).....	239		
LISBONA/W (R-PDR/W)	241		
VEGA (R-FA)	243		
VEGA (R-F/o)	245		
FREEZING EQUIPMENT	249		
ALASKA	251		
ARCTIC.....	253		
ASTANA-GASTRO-MR (SW-G MR).....	255		
BOSTON-GASTRO-MR (S-G MR)	257		
SHOCK CHILLER SZ-GN 1/1.....	259		

REFRIGERATED DISPLAYS

MODENA	7
W-PSU	9
W-PSU-K	11
W-PVU.....	13
W-PVU-K.....	15
W-PSP	17
W PSP-K.....	19
W PSP-k-D	21
W-PVP	23
W-PVP-K	25
W PVP-k-D	27
W-PVP-K-GN	29
W-PVP NW/NZ.....	31
W-PVK.....	33
W-PVK-K	35
VERONA	37
W-PS-K	39
W-PS-K-V	41
W-PS-K NW/NZ-V	43
W-PS-K-O	45
W-PP-K.....	47
W-PP-K-V	49
W-PP-K-D	51
W-PP-K-V-D	53
W-PP-K NW/NZ-V	55
W-PP-v-k GRANDE.....	57
DEHLI	59
W-DP-k-v.....	61
OTHER SERIES	63
BRAGA (W-S)	65
BRAGA (W-S) NW/NZ-V.....	67
VIGO (W-S-W)	69
VIGO (W-S-w) NW/NZ-v	71
BRAGA-SG (W-SG).....	73
BRAGA-SG (W-SG) NW/NZ-V	75
VIGO-SG (W-SG-W)	77
VIGO-SG (W-SG-w) NW/NZ-v.....	79
ARIZONA	81
NEVADA (W-SGS/W-SGSP)	83
NEVADA (W-SGSP) NW/NZ	85
NAPOLI (W-N)	87
NAPOLI (W-N) NW/NZ-V.....	89
RODA (W-G)	91
RODA LUX (W-G LUX)	93
RODA (W-G) NW/NZ-V	95
HAMBURG (W-NG).....	97
HAMBURG (W-NG) NW/NZ	99
BALI	101

COOLING EQUIPMENT

Refrigerated displays

MODENA series



KEY FEATURES OF THE SERIES

OH18

ACID-RESISTANT SURFACE



MULTIPLE IMPLEMENTATION VARIANTS



ENERGY-SAVING



PLUG IN / REMOTE



LED LIGHTING



EVAPORATOR PIPE WALLS 0.8mm



TYPES OF GLAZING IN A GIVEN SERIES



TELESCOPIC SYSTEM



SHORT



TILTABLE



OPTIONAL EQUIPMENT

- Depth: 990mm
- Worktop extension by 5cm / 10cm
- Table top pad for the scales
- Cutting board
- Electrical socket
- Temperature recorder (USB)
- Finishing with veneer or wood-like panels
- Painting the whole display case in RAL colour
- Painting the evaporator
- Evaporator heaters
- Stainless tube railing
- Implementation of feet
- Set of castors
- Bogie bumper
- Serial connection
- Illuminated lower front panel - LED
- Wooden casing
- Overlay (step) to the display area
- Graduated display area*
- Night curtains
- Fixed (glass) partition II K
- Plexiglass movable partition

* Not included in the corners

KEY FEATURES OF THE SERIES

When designing the Modena series, we aimed at versatility and ensuring the highest quality of use. Hence, in standard equipment, the whole display area is made of acid-resistant OH-18 stainless steel sheet and we have provided many variants of equipment ensuring the temperature range from -18 to +60°C.

In addition, we have also opted for environmentally friendly solutions using an energy-saving unit or LED lighting.



ACID-RESISTANT SURFACE



MULTIPLE IMPLEMENTATION VARIANTS



ENERGY-SAVING



PLUG IN / REMOTE

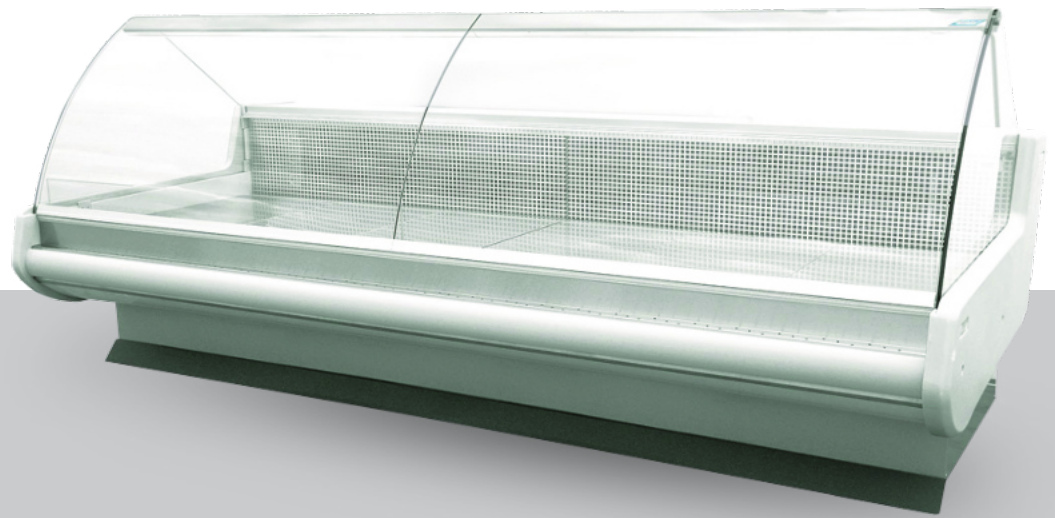


LED LIGHTING



EVAPORATOR PIPE WALLS 0.8mm

MODENA W-PSU



DISPLAY DEPTH 1200/995



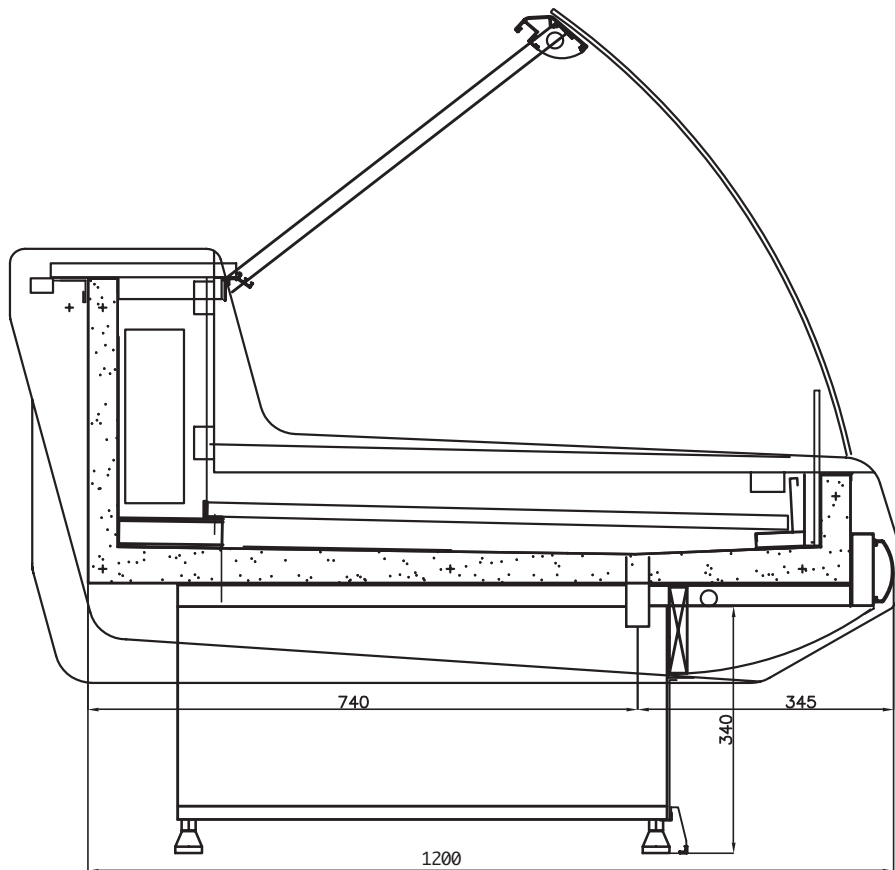
STANDARD EQUIPMENT

- High, tiltable front glass
- Display area made of acid-resistant stainless steel sheet
- Aluminium profiles - silver/gold colour
- Ecological polyurethane foam insulation
- Energy-efficient LED lighting
- Worktop: granite/acid-resistant stainless steel sheet
- Illuminated lower front panel
- Electronic internal thermometer
- Electronic temperature controller
- Defrosting: automatic
- Condensate drain to the condensate container
- External case powder-coated to RAL 9007
- Plastic sides (50 mm thick), colour choice (grey/brown)
- Front elements made of lacquered steel sheet, colour from RAL palette
- Feet for levelling the device

INTERIOR TEMPERATURE RANGE
: +2°C TO +8°C*GRAVITY
COOLINGACID-RESISTANT STEEL SHEET
DISPLAY AREAMODULAR
SYSTEMREFRIGERANT
452AHIGH, TILTABLE FRONT
GLASS

ALTERNATIVE VERSIONS

HEATING
+30°C to +60°CBAIN-MARIE
+30°C to +60°C*FOR FISH (DRY ICE)
-2°C to +2°C*CASH
DESK



MODULES

SYMBOL	LENGTH INCLUDING SIDES** [mm]	DISPLAY AREA [m ²]	UNIT	WEIGHT [kg]
W-12 PSU	1352	1,01	+	145
W-15 PSU	1590	1,28	+	165
W-18 PSU	1880	1,52	+	190
W-20 PSU	2080	1,71	+	205
W-25 PSU	2580	2,14	+	255
W-30 PSU	3080	2,65	+	310
W-37 PSU	3830	3,34	+	370
W-12 PSU B/A	1352	1,01	-	125
W-15 PSU B/A	1590	1,28	-	145
W-18 PSU B/A	1880	1,52	-	170
W-20 PSU B/A	2080	1,71	-	185
W-25 PSU B/A	2580	1,71	-	235
W-30 PSU B/A	3080	2,65	-	290
W-37 PSU B/A	3830	3,34	-	350



Cooling capacity requirements* – 450 W/linear meter at $t_0 = -15^\circ\text{C}$

*At an ambient temperature of $+25^\circ\text{C}$ and humidity of 60%

**Side thickness 50 mm

MODENA (W-PSU)



www.cold.pl

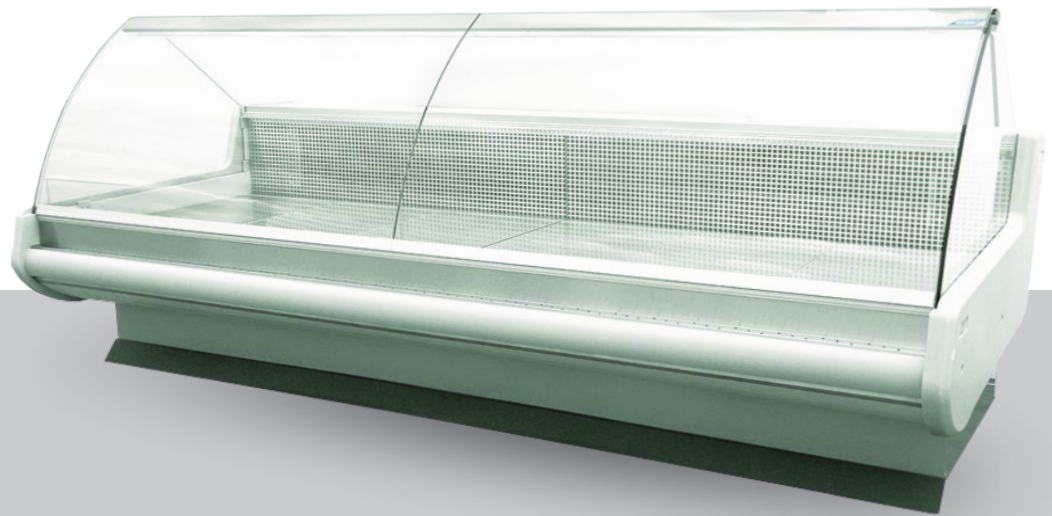


cold@cold.pl



+48 14 611 11 78

MODENA W-PSU-K



DISPLAY DEPTH 1200/995



STANDARD EQUIPMENT

- High, tiltable front glass
- Display area made of acid-resistant stainless steel sheet
- Storage chambers made of acid-resistant stainless steel sheet
- Aluminium profiles - silver/gold colour
- Ecological polyurethane foam insulation
- Energy-efficient LED lighting
- Worktop: granite/acid-resistant stainless steel sheet
- Illuminated lower front panel
- Electronic internal thermometer
- Electronic temperature controller
- Defrosting: automatic
- Condensate drain to the condensate container
- External case powder-coated to RAL 9007
- Plastic sides (50 mm thick), colour choice (grey/brown)
- Front elements made of lacquered steel sheet, colour from RAL palette
- Feet for levelling the device

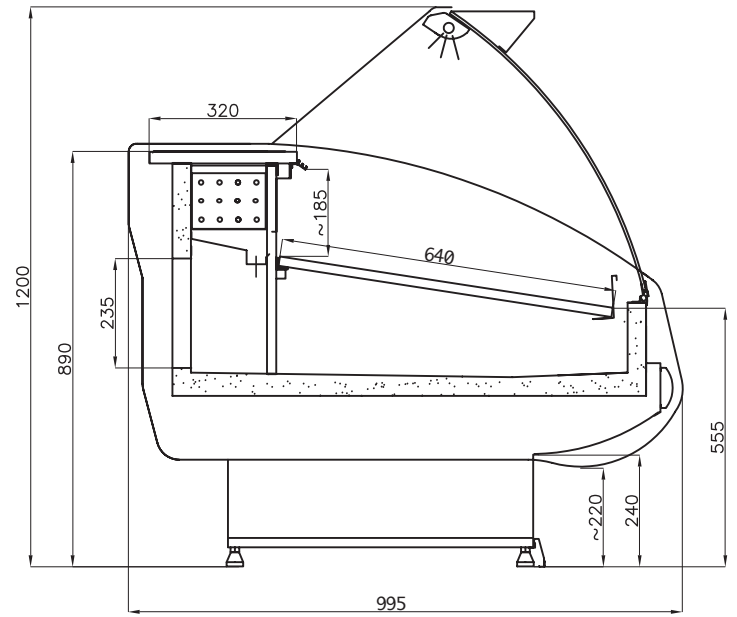
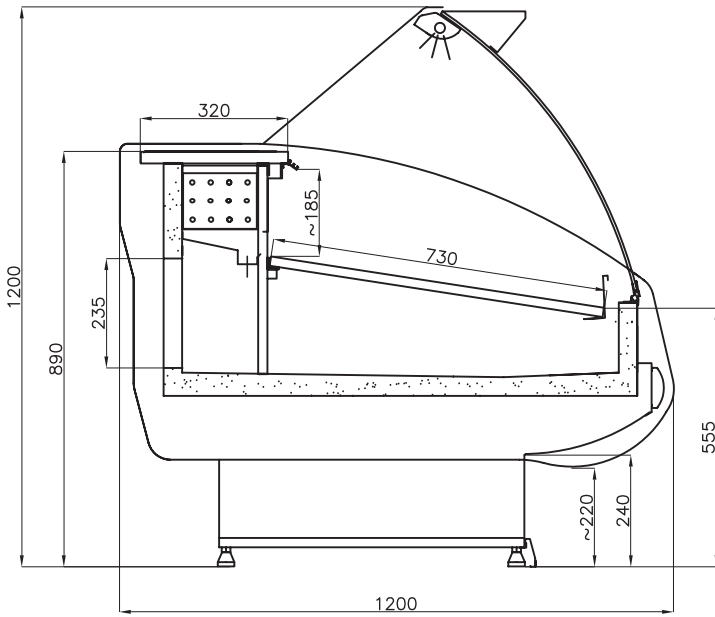
INTERIOR TEMPERATURE RANGE
: +2°C TO +8°C*GRAVITY
COOLINGACID-RESISTANT STEEL SHEET
DISPLAY AREAMODULAR
SYSTEM

REFRIGERANT 452A

HIGH, TILTABLE FRONT
GLASS

ALTERNATIVE VERSIONS

HEATING
+30°C to +60°CBAIN-MARIE
+30°C to +60°C*FOR FISH (DRY ICE)
-2°C to +2°C*CASH
DESK



MODULES

SYMBOL	LENGTH INCLUDING SIDES** [mm]	DISPLAY AREA [m ²]	UNIT	WEIGHT [kg]
W-12 PSU k	1352	1,01	+	155
W-15 PSU-k	1590	1,28	+	175
W-18 PSU-k	1880	1,52	+	200
W-20 PSU-k	2080	1,71	+	215
W-25 PSU-k	2580	2,14	+	245
W-30 PSU-k	3080	2,65	+	320
W-37 PSU-k	3830	3,34	+	380
W-12 PSU k B/A	1352	1,01	-	135
W-15 PSU-k B/A	1590	1,28	-	155
W-18 PSU-k B/A	1880	1,52	-	180
W-20 PSU-k B/A	2080	1,71	-	195
W-25 PSU-k B/A	2580	2,14	-	205
W-30 PSU-k B/A	3080	2,65	-	270
W-37 PSU-k B/A	3830	3,34	-	360



Cooling capacity requirements* – 450 W/linear meter at t₀= -15°C

*At an ambient temperature of +25°C and humidity of 60%

**Side thickness 50 mm

MODENA (W-PSU-K)



www.cold.pl

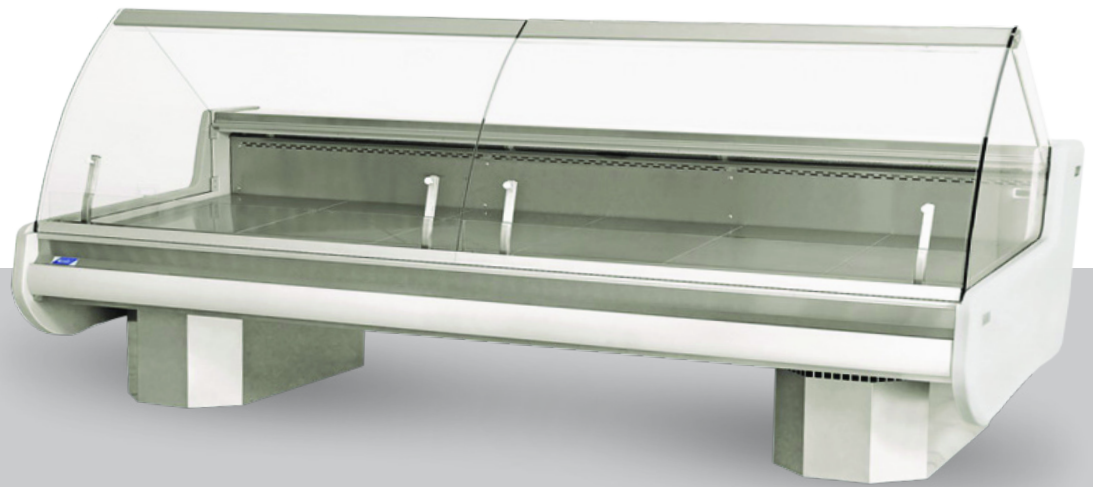


cold@cold.pl



+48 14 611 11 78

MODENA W-PVU



DISPLAY DEPTH 1200/995



STANDARD EQUIPMENT

- High, tiltable front glass
- Display area made of acid-resistant stainless steel sheet
- Aluminium profiles - silver/gold colour
- Ecological polyurethane foam insulation
- Energy-efficient LED lighting
- Worktop: granite/acid-resistant stainless steel sheet
- Illuminated lower front panel
- Electronic internal thermometer
- Electronic temperature controller
- Defrosting: automatic
- Condensate drain to the condensate container
- External case powder-coated to RAL 9007
- Plastic sides (50 mm thick), colour choice (grey/brown)
- Front elements made of lacquered steel sheet, colour from RAL palette
- Feet for levelling the device

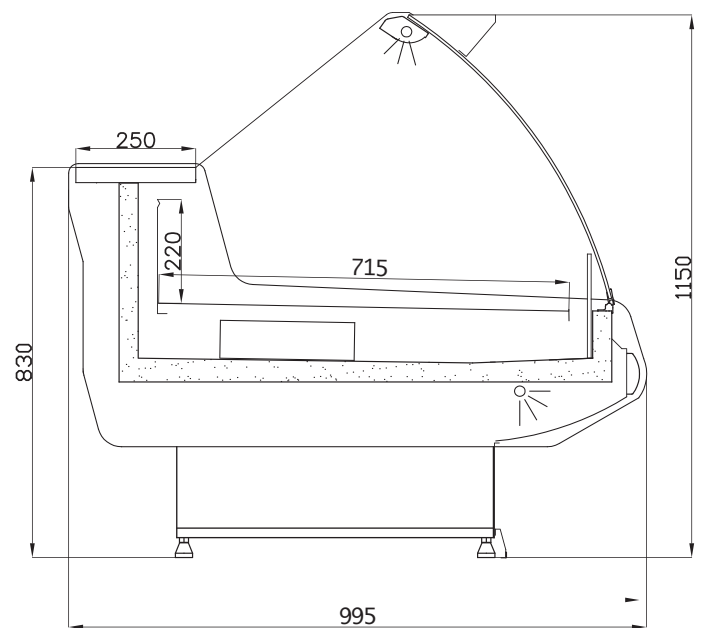
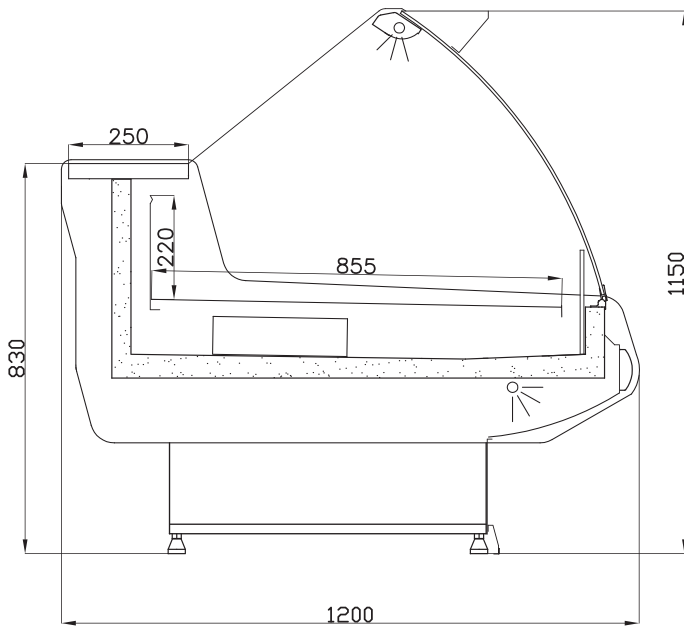
INTERIOR TEMPERATURE RANGE
: +2°C TO +8°C*DYNAMIC
COOLINGOH18
ACID-RESISTANT STEEL SHEET
DISPLAY AREAMODULAR
SYSTEM

REFRIGERANT 452A

HIGH, TILTABLE FRONT
GLASS

ALTERNATIVE VERSIONS

HEATING
+30°C to +60°CBAIN-MARIE
+30°C to +60°C*FOR FISH (DRY ICE)
-2°C to +2°C*FREEZING
0°C to -6°C
-6°C to -12°C
-12°C to -18°CCASH
DESK



MODULES

SYMBOL	LENGTH INCLUDING SIDES** [mm]	DISPLAY AREA [m ²]	UNIT	WEIGHT [kg]
W-12 PVU	1352	1,06	+	170
W-15 PVU	1590	1,28	+	200
W-18 PVU	1880	1,52	+	230
W-20 PVU	2080	1,71	+	250
W-25 PVU	2580	2,14	+	291
W-30 PVU	3080	2,65	+	332
W-37 PVU	3830	3,34	+	400
W-12 PVU B/A	1352	1,06	-	150
W-15 PVU B/A	1590	1,28	-	180
W-18 PVU B/A	1880	1,52	-	210
W-20 PVU B/A	2080	1,71	-	210
W-25 PVU B/A	2580	2,14	-	271
W-30 PVU B/A	3080	2,65	-	312
W-37 PVU B/A	3830	3,34	-	380

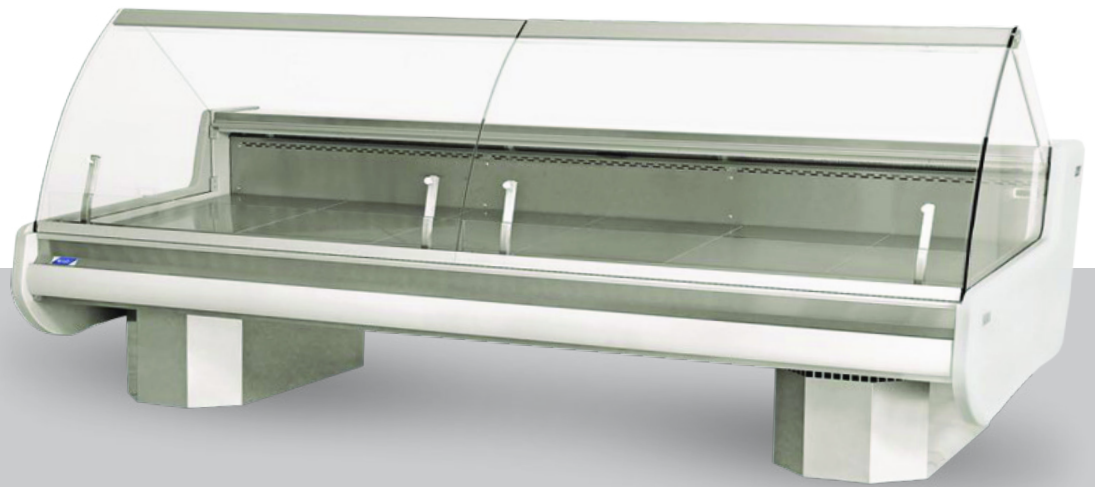
! Cooling capacity requirements* – 500 W/linear meter at t₀ = -15°C

*At an ambient temperature of +25°C and humidity of 60%

**Side thickness 50 mm

MODENA (W-PVU)

MODENA W-PVU-K



DISPLAY DEPTH 1200/995



STANDARD EQUIPMENT

- High, tiltable front glass
- Display area made of acid-resistant stainless steel sheet
- Storage chambers made of acid-resistant stainless steel sheet
- Aluminium profiles - silver/gold colour
- Ecological polyurethane foam insulation
- Energy-efficient LED lighting
- Worktop: granite/acid-resistant stainless steel sheet
- Illuminated lower front panel
- Electronic internal thermometer
- Electronic temperature controller
- Defrosting: automatic
- Condensate drain to the condensate container
- External case powder-coated to RAL 9007
- Plastic sides (50 mm thick), colour choice (grey/brown)
- Front elements made of lacquered steel sheet, colour from RAL palette
- Feet for levelling the device

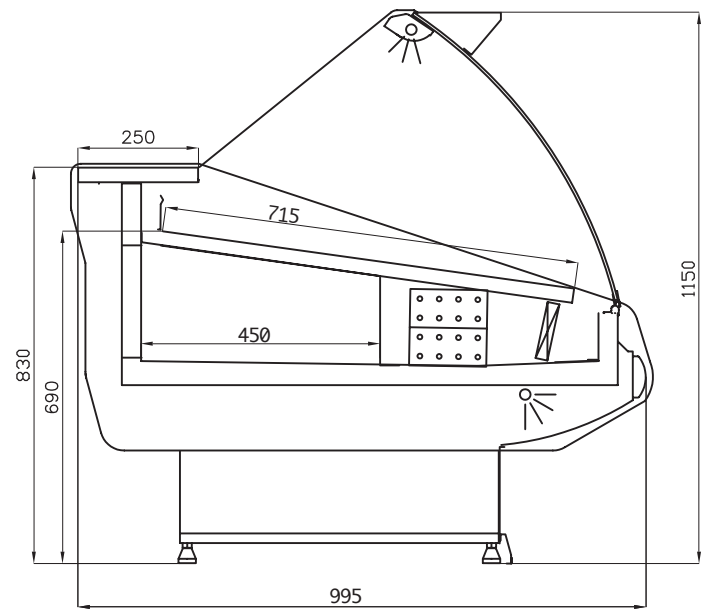
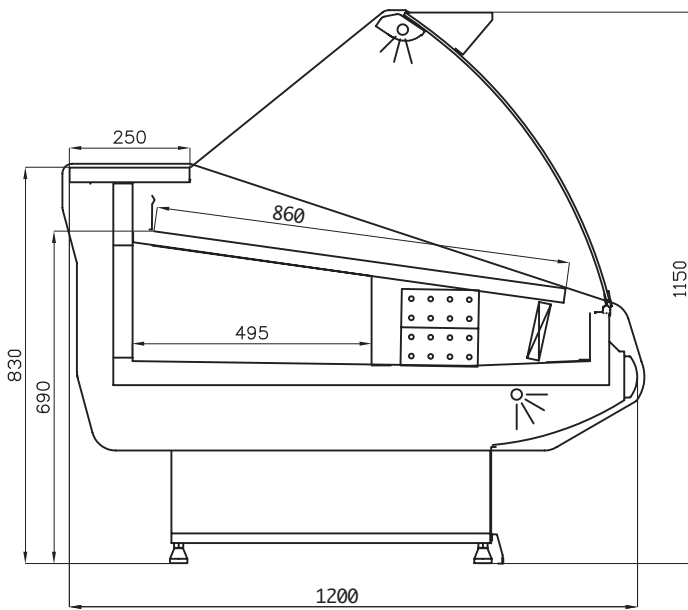
INTERIOR TEMPERATURE RANGE
: +2°C TO +8°C*DYNAMIC
COOLINGACID-RESISTANT STEEL SHEET
DISPLAY AREAMODULAR
SYSTEM

REFRIGERANT 452A

HIGH, TILTABLE FRONT
GLASS

ALTERNATIVE VERSIONS

HEATING
+30°C to +60°CBAIN-MARIE
+30°C to +60°C*FOR FISH (DRY ICE)
-2°C to +2°C*FREEZING
0°C to -6°C
-6°C to -12°C
-12°C to -18°CCASH
DESK



MODULES

SYMBOL	LENGTH INCLUDING SIDES** [mm]	DISPLAY AREA [m ²]	UNIT	WEIGHT [kg]
W-12 PVU-k	1352	1,06	+	176
W-15 PVU-k	1590	1,28	+	210
W-18 PVU-k	1880	1,55	+	240
W-20 PVU-k	2080	1,71	+	260
W-25 PVU-k	2580	2,14	+	301
W-30 PVU-k	3080	2,65	+	342
W-37 PVU-k	3830	3,34	+	415
W-12 PVU-k B/A	1352	1,06	-	156
W-15 PVU-k B/A	1590	1,28	-	190
W-18 PVU-k B/A	1880	1,55	-	220
W-20 PVU-k B/A	2080	1,71	-	240
W-25 PVU-k B/A	2580	2,14	-	281
W-30 PVU-k B/A	3080	2,65	-	322
W-37 PVU-k B/A	3830	3,34	-	395



Cooling capacity requirements* – 500 W/linear meter at $t_0 = -15^\circ\text{C}$

*At an ambient temperature of $+25^\circ\text{C}$ and humidity of 60%

**Side thickness 50 mm

MODENA (W-PVU-K)



www.cold.pl



cold@cold.pl



+48 14 611 11 78

MODENA W-PSP



DISPLAY DEPTH 1200/995



STANDARD EQUIPMENT

- Telescopic glass lift system
- Display area made of acid-resistant stainless steel sheet
- Aluminium profiles - silver/gold colour
- Ecological polyurethane foam insulation
- Energy-efficient LED lighting
- Worktop: granite/acid-resistant stainless steel sheet
- Illuminated lower front panel
- Electronic internal thermometer
- Electronic temperature controller
- Defrosting: automatic
- Condensate drain to the condensate container
- External case powder-coated to RAL 9007
- Plastic sides (50 mm thick), colour choice (grey/brown)
- Front elements made of lacquered steel sheet, colour from RAL palette
- Feet for levelling the device

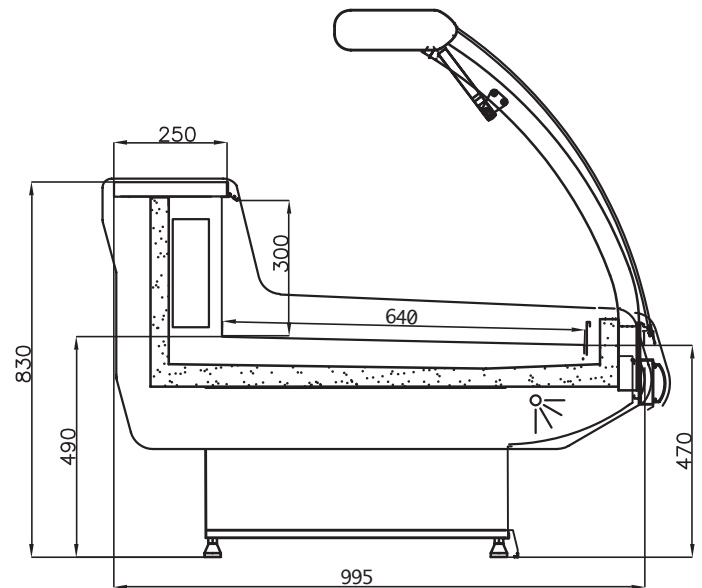
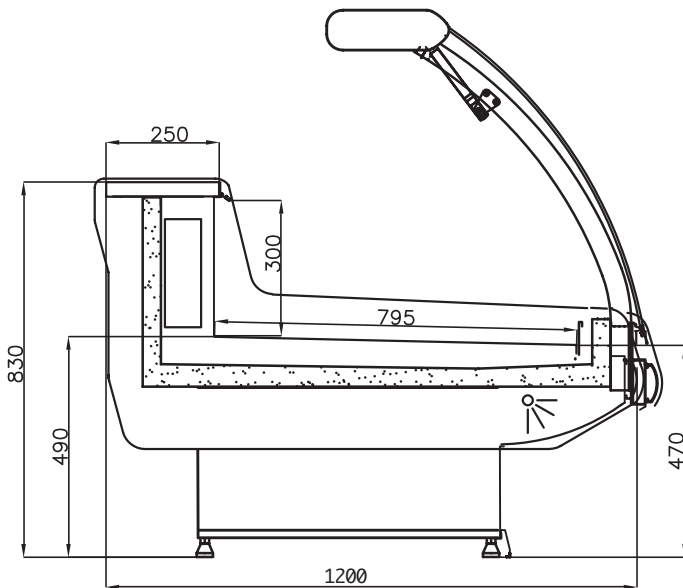
INTERIOR TEMPERATURE RANGE
: +2°C TO +8°C*GRAVITY
COOLINGACID-RESISTANT STEEL SHEET
DISPLAY AREAMODULAR
SYSTEM

REFRIGERANT 452A

TELESCOPIC GLASS
LIFT SYSTEM

ALTERNATIVE VERSIONS

HEATING
+30°C to +60°CBAIN-MARIE
+30°C to +60°C*FOR FISH (DRY ICE)
-2°C to +2°C*CASH
DESK



MODULES

SYMBOL	LENGTH INCLUDING SIDES** [mm]	DISPLAY AREA [m ²]	UNIT	WEIGHT [kg]
W-12 PSP	1352	1,06	+	152
W-15 PSP	1590	1,28	+	182
W-18 PSP	1880	1,51	+	200
W-20 PSP	2080	1,71	+	220
W-25 PSP	2580	2,14	+	272
W-30 PSP	3080	2,65	+	350
W-37 PSP	3830	3,34	+	385
W-12 PSP B/A	1352	1,06	-	122
W-15 PSP B/A	1590	1,28	-	160
W-18 PSP B/A	1880	1,51	-	180
W-20 PSP B/A	2080	1,71	-	200
W-25 PSP B/A	2580	2,14	-	252
W-30 PSP B/A	3080	2,65	-	330
W-37 PSP B/A	3830	3,34	-	365



Cooling capacity requirements* – 450 W/linear meter at $t_0 = -15^\circ\text{C}$

*At an ambient temperature of $+25^\circ\text{C}$ and humidity of 60%

**Side thickness 50 mm

MODENA (W-PSP)



www.cold.pl



cold@cold.pl



+48 14 611 11 78

MODENA W PSP-K



DISPLAY DEPTH 1200/995



STANDARD EQUIPMENT

- Telescopic glass lift system
- Display area made of acid-resistant stainless steel sheet
- Storage chambers made of acid-resistant stainless steel sheet
- Aluminium profiles - silver/gold colour
- Ecological polyurethane foam insulation
- Energy-efficient LED lighting
- Worktop: granite/acid-resistant stainless steel sheet
- Illuminated lower front panel
- Electronic internal thermometer
- Electronic temperature controller
- Defrosting: automatic
- Condensate drain to the condensate container
- External case powder-coated to RAL 9007
- Plastic sides (50 mm thick), colour choice (grey/brown)
- Front elements made of lacquered steel sheet, colour from RAL palette
- Feet for levelling the device

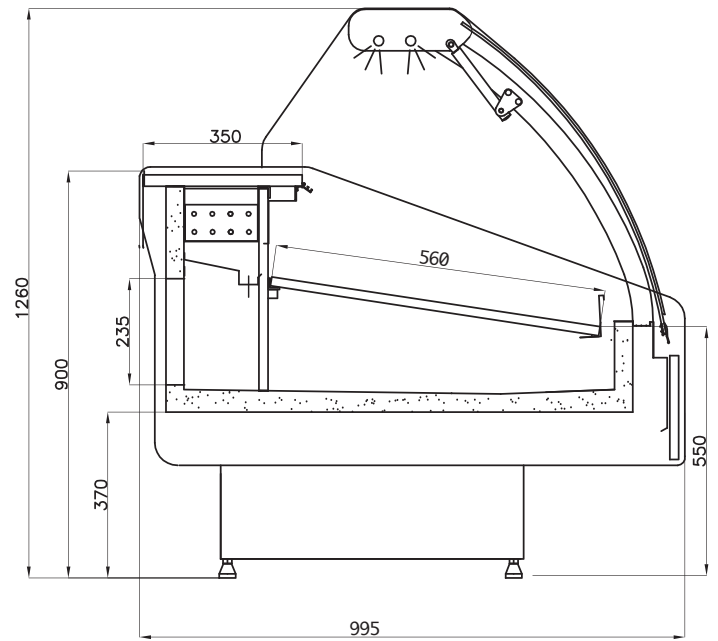
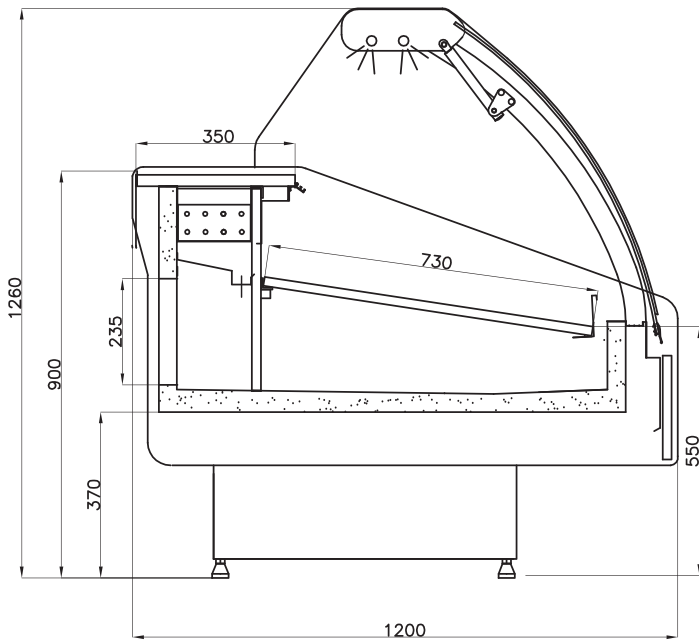
INTERIOR TEMPERATURE RANGE
: +2°C TO +8°C*GRAVITY
COOLINGACID-RESISTANT STEEL SHEET
DISPLAY AREAMODULAR
SYSTEM

REFRIGERANT 452A

TELESCOPIC GLASS
LIFT SYSTEM

ALTERNATIVE VERSIONS

HEATING
+30°C to +60°CBAIN-MARIE
+30°C to +60°C*FOR FISH (DRY ICE)
-2°C to +2°C*CASH
DESK



MODULES

SYMBOL	LENGTH INCLUDING SIDES** [mm]	DISPLAY AREA [m ²]	UNIT	WEIGHT [kg]
W-12 PSP-k	1352	1,06	+	157
W-15 PSP-k	1590	1,28	+	200
W-18 PSP-k	1880	1,51	+	228
W-20 PSP-k	2080	1,71	+	252
W-25 PSP-k	2580	2,14	+	277
W-30 PSP-k	3080	2,65	+	360
W-37 PSP-k	3830	3,34	+	400
W-12 PSP-k B/A	1352	1,06	-	132
W-15 PSP-k B/A	1590	1,28	-	180
W-18 PSP-k B/A	1880	1,51	-	208
W-20 PSP-k B/A	2080	1,71	-	229
W-25 PSP-k B/A	2580	2,14	-	257
W-30 PSP-k B/A	3080	2,65	-	340
W-37 PSP-k B/A	3830	3,34	-	380



Cooling capacity requirements* – 450 W/linear meter at $t_0 = -15^\circ\text{C}$

*At an ambient temperature of $+25^\circ\text{C}$ and humidity of 60%

**Side thickness 50 mm

MODENA (PSP-K)



www.cold.pl



cold@cold.pl



+48 14 611 11 78

MODENA W PSP-k-D



DISPLAY DEPTH 1200/995



STANDARD EQUIPMENT

- Telescopic glass lift system
- Display area made of acid-resistant stainless steel sheet
- Storage chambers made of acid-resistant stainless steel sheet
- Aluminium profiles - silver/gold colour
- Energy-efficient LED lighting
- Worktop: granite/acid-resistant stainless steel sheet
- Electronic internal thermometer
- Electronic temperature controller
- Defrosting: automatic
- Condensate drain to the condensate container
- External case powder-coated to RAL 9007
- Wooden sides and front
- Feet for levelling the device

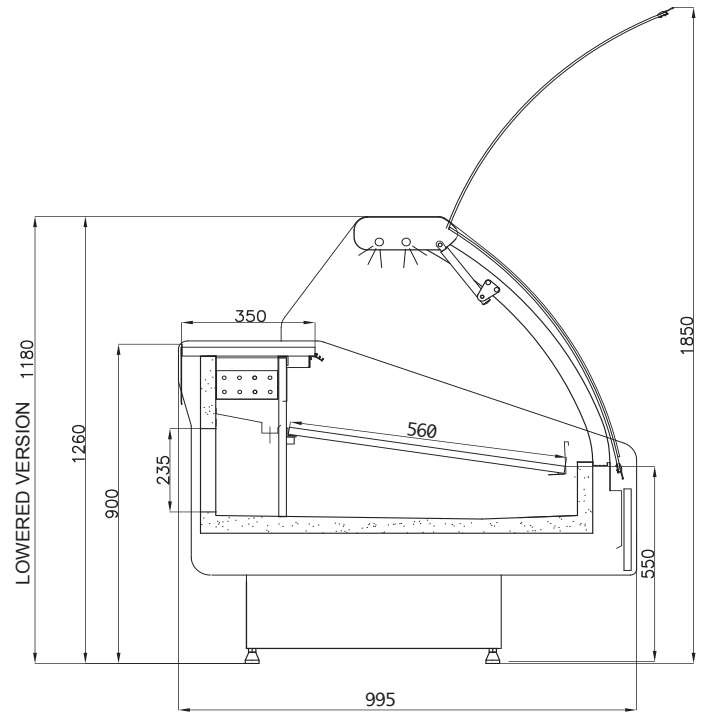
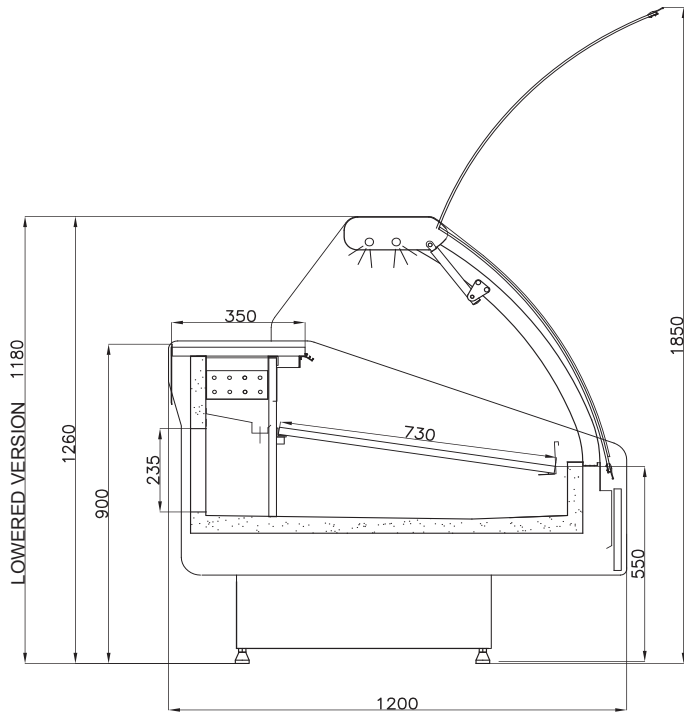
INTERIOR TEMPERATURE RANGE
: +2°C TO +8°C*GRAVITY
COOLINGACID-RESISTANT STEEL SHEET
DISPLAY AREAMODULAR
SYSTEM

REFRIGERANT 452A

TELESCOPIC GLASS
LIFT SYSTEM

ALTERNATIVE VERSIONS

HEATING
+30°C to +60°CBAIN-MARIE
+30°C to +60°C*FOR FISH (DRY ICE)
-2°C to +2°C*CASH
DESK



MODULES

SYMBOL	LENGTH INCLUDING SIDES** [mm]	DISPLAY AREA [m ²]	UNIT	WEIGHT [kg]
W-12 PSP-k-D	1318	1,06	+	165
W-15 PSP-k-D	1590	1,28	+	210
W-18 PSP-k-D	1880	1,51	+	240
W-20 PSP-k-D	2045	1,71	+	275
W-25 PSP-k-D	2546	2,14	+	285
W-30 PSP-k-D	3080	2,65	+	350
W-37 PSP-k-D	3830	3,34	+	390
W-12 PSP-k-D B/A	1318	1,06	-	140
W-15 PSP-k-D B/A	1590	1,28	-	190
W-18 PSP-k-D B/A	1880	1,51	-	220
W-20 PSP-k-D B/A	2045	1,71	-	255
W-25 PSP-k-D B/A	2546	2,14	-	270
W-30 PSP-k-D B/A	3080	2,65	-	330
W-37 PSP-k-D B/A	3830	3,34	-	370

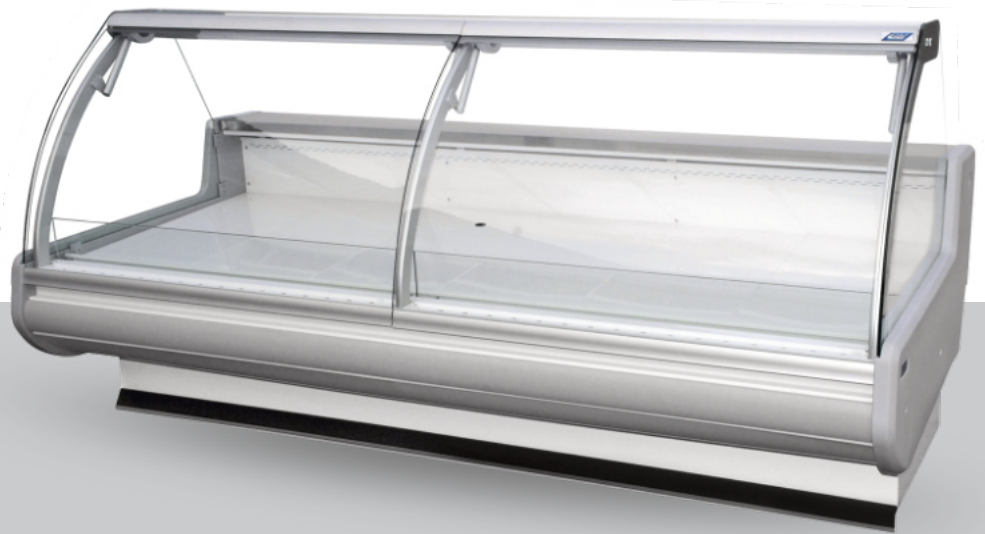
! Cooling capacity requirements* – 450 W/linear meter at t₀ = -15°C

*At an ambient temperature of +25°C and humidity of 60%

**Side thickness 38 mm

MODENA (PSP-K-D)

MODENA W-PVP



DISPLAY DEPTH 1200/995



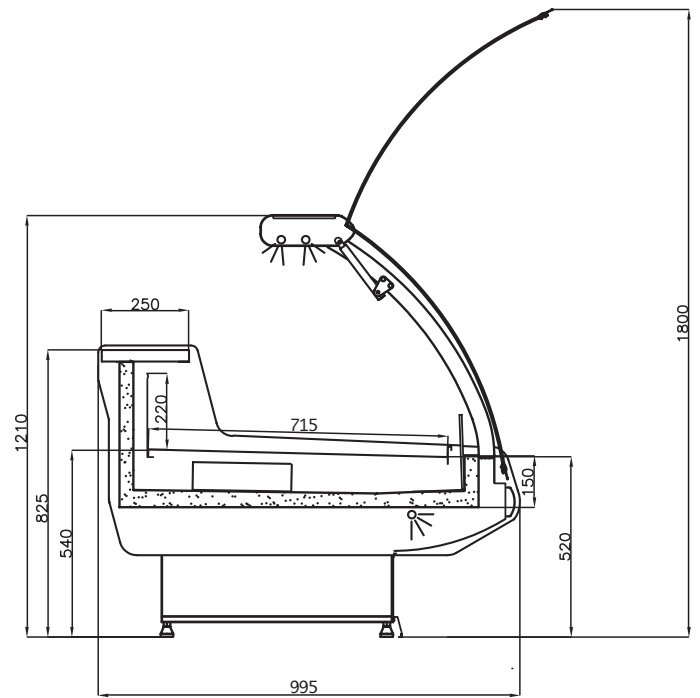
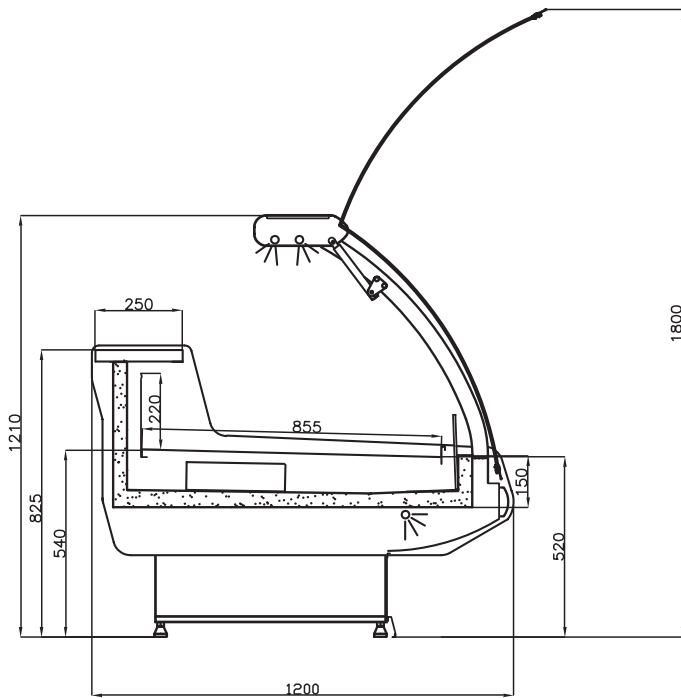
STANDARD EQUIPMENT

- Telescopic glass lift system
- Display area made of acid-resistant stainless steel sheet
- Aluminium profiles - silver/gold colour
- Ecological polyurethane foam insulation
- Energy-efficient LED lighting
- Worktop: granite/acid-resistant stainless steel sheet
- Illuminated lower front panel
- Electronic internal thermometer
- Electronic temperature controller
- Defrosting: automatic
- Condensate drain to the condensate container
- External case powder-coated to RAL 9007
- Plastic sides (50 mm thick), colour choice (grey/brown)
- Front elements made of lacquered steel sheet, colour from RAL palette
- Feet for levelling the device

INTERIOR TEMPERATURE RANGE
: +2°C TO +8°C*DYNAMIC
COOLINGACID-RESISTANT STEEL SHEET
DISPLAY AREAMODULAR
SYSTEMREFRIGERANT
452ATELESCOPIC GLASS
LIFT SYSTEM

ALTERNATIVE VERSIONS

HEATING
+30°C to +60°CBAIN-MARIE
+30°C to +60°C*FOR FISH (DRY ICE)
-2°C to +2°C*FREEZING
0°C to -6°C
-6°C to -12°C
-12°C to -18°CCASH
DESK



MODULES

SYMBOL	LENGTH INCLUDING SIDES** [mm]	DISPLAY AREA [m ²]	UNIT	WEIGHT [kg]
W-12 PVP	1352	1,06	+	170
W-15 PVP	1590	1,28	+	190
W-18 PVP	1880	1,51	+	210
W-20 PVP	2080	1,71	+	250
W-25 PVP	2580	2,14	+	281
W-30 PVP	3080	2,65	+	355
W-37 PVP	3850	3,18	+	395
W-12 PVP B/A	1352	1,06	-	150
W-15 PVP B/A	1590	1,28	-	170
W-18 PVP B/A	1880	1,51	-	190
W-20 PVP B/A	2080	1,71	-	230
W-25 PVP B/A	2580	2,14	-	251
W-30 PVP B/A	3080	2,65	-	335
W-37 PVP B/A	3850	3,18	-	375



Cooling capacity requirements* – 500 W/linear meter at $t_0 = -15^{\circ}\text{C}$

*At an ambient temperature of $+25^{\circ}\text{C}$ and humidity of 60%

**Side thickness 50 mm

MODENA (W-PVP)



www.cold.pl



cold@cold.pl



+48 14 611 11 78

MODENA W-PVP-K



DISPLAY DEPTH 1200/995



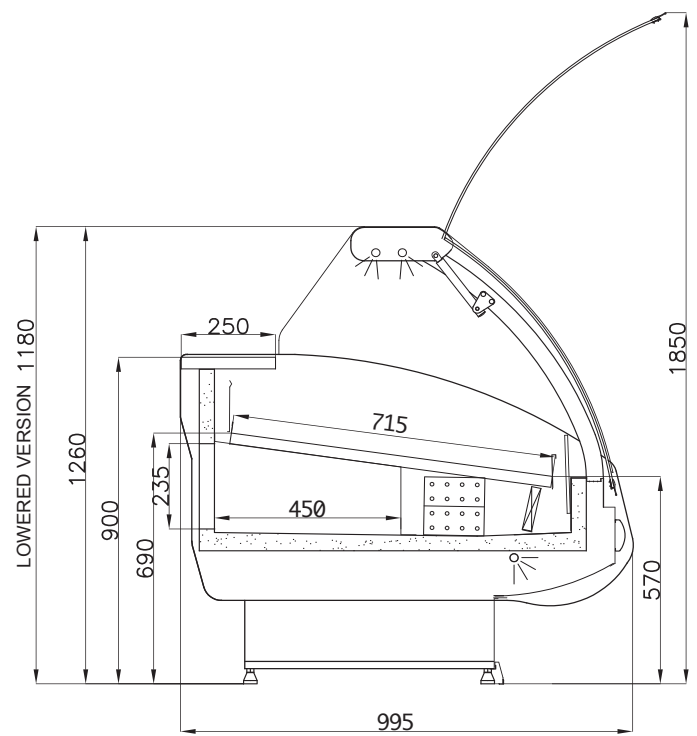
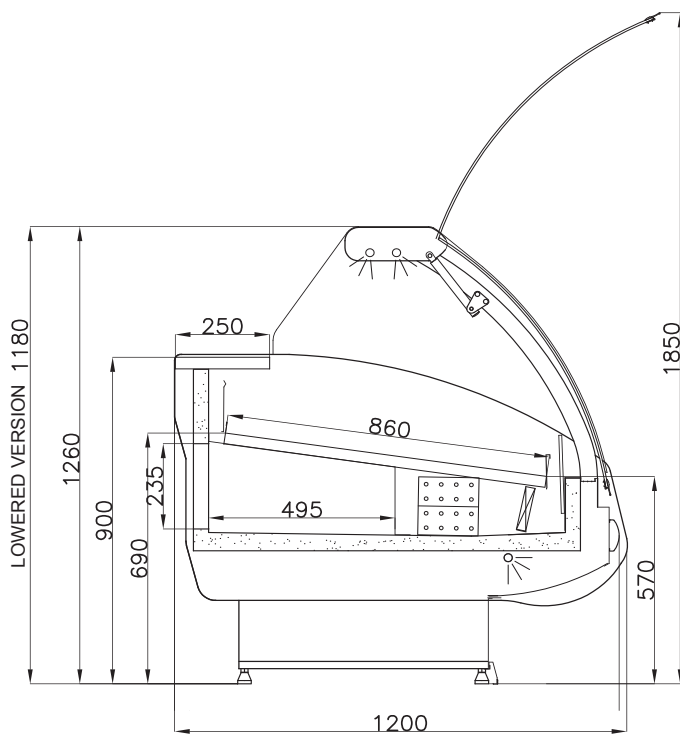
STANDARD EQUIPMENT

- Telescopic glass lift system
- Display area made of acid-resistant stainless steel sheet
- Storage chambers made of acid-resistant stainless steel sheet
- Aluminium profiles - silver/gold colour
- Ecological polyurethane foam insulation
- Energy-efficient LED lighting
- Worktop: granite/acid-resistant stainless steel sheet
- Illuminated lower front panel
- Electronic internal thermometer
- Electronic temperature controller
- Defrosting: automatic
- Condensate drain to the condensate container
- External case powder-coated to RAL 9007
- Plastic sides (50 mm thick), colour choice (grey/brown)
- Front elements made of lacquered steel sheet, colour from RAL palette
- Feet for levelling the device

INTERIOR TEMPERATURE RANGE
: +2°C TO +8°C*DYNAMIC
COOLINGACID-RESISTANT STEEL SHEET
DISPLAY AREAMODULAR
SYSTEMREFRIGERANT
452ATELESCOPIC GLASS
LIFT SYSTEM

ALTERNATIVE VERSIONS

HEATING
+30°C to +60°CBAIN-MARIE
+30°C to +60°C*FOR FISH (DRY ICE)
-2°C to +2°C*FREEZING
0°C to -6°C
-6°C to -12°C
-12°C to -18°CCASH
DESK



MODULES

SYMBOL	LENGTH INCLUDING SIDES** [mm]	DISPLAY AREA [m ²]	UNIT	WEIGHT [kg]
W-12 PVP-k	1352	1,06	+	180
W-15 PVP-k	1590	1,28	+	200
W-18 PVP-k	1880	1,51	+	235
W-20 PVP-k	2080	1,71	+	255
W-25 PVP-k	2580	2,14	+	285
W-30 PVP-k	3080	2,65	+	365
W-37 PVP-k	3850	3,23	+	400
W-12 PVP-k B/A	1352	1,06	-	160
W-15 PVP-k B/A	1590	1,28	-	180
W-18 PVP-k B/A	1880	1,51	-	215
W-20 PVP-k B/A	2080	1,71	-	235
W-25 PVP-k B/A	2580	2,14	-	265
W-30 PVP-k B/A	3080	2,65	-	320
W-37 PVP-k B/A	3850	3,23	-	380



Cooling capacity requirements* – 500 W/linear meter at $t_0 = -15^\circ\text{C}$

*At an ambient temperature of $+25^\circ\text{C}$ and humidity of 60%

**Side thickness 50 mm

MODENA (W-PVP-K)



www.cold.pl



cold@cold.pl



+48 14 611 11 78

MODENA W PVP-k-D



DISPLAY DEPTH 1200/995



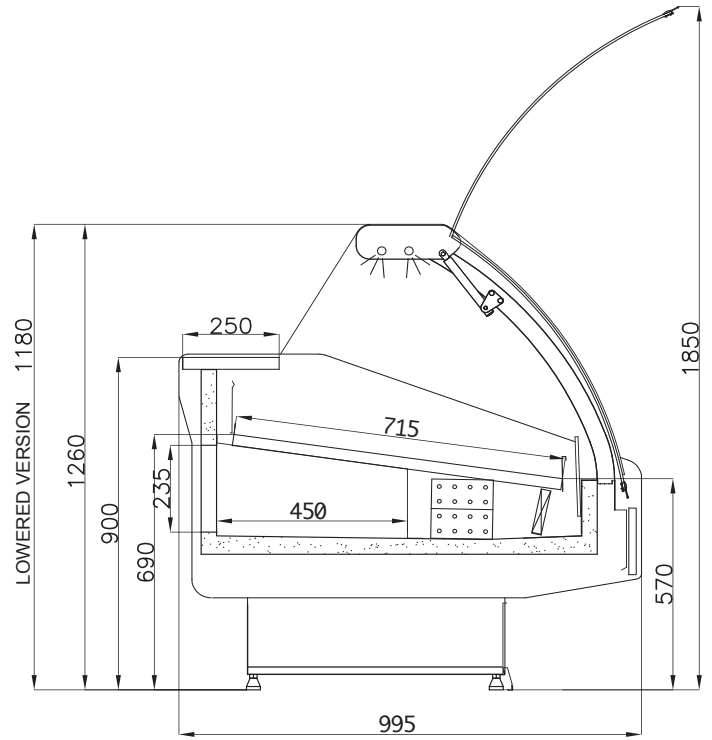
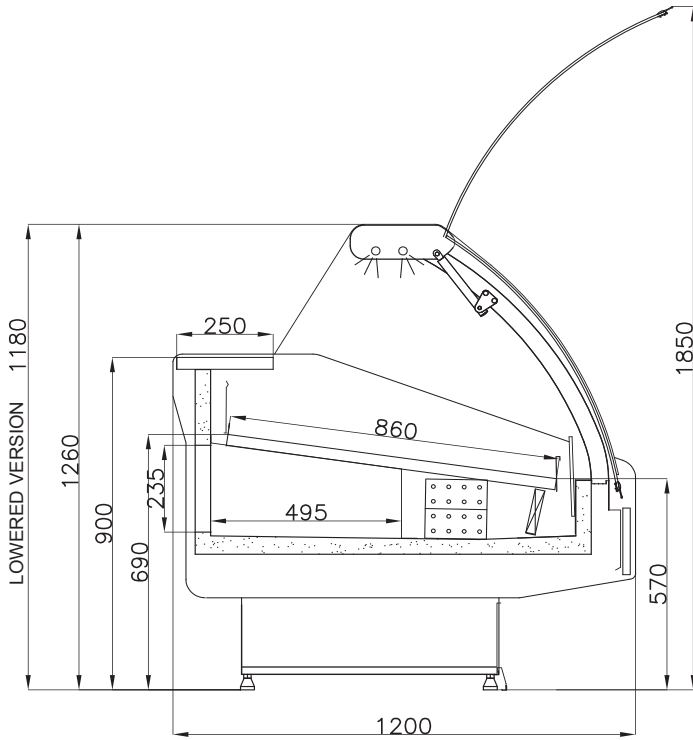
STANDARD EQUIPMENT

- Wooden casing
- Telescopic glass lift system
- Display area made of acid-resistant stainless steel sheet
- Storage chambers made of acid-resistant stainless steel sheet
- Aluminium profiles - silver/gold colour
- Ecological polyurethane foam insulation
- Energy-efficient LED lighting
- Worktop: granite/acid-resistant stainless steel sheet
- Electronic internal thermometer
- Electronic temperature controller
- Defrosting: automatic
- Condensate drain to the condensate container
- External case powder-coated to RAL 9007
- Wooden side and front
- Feet for levelling the device

INTERIOR TEMPERATURE RANGE
: +2°C TO +8°C*DYNAMIC
COOLINGOH18
ACID-RESISTANT STEEL SHEET
DISPLAY AREAMODULAR
SYSTEMREFRIGERANT
452ATELESCOPIC GLASS
LIFT SYSTEM

ALTERNATIVE VERSIONS

HEATING
+30°C to +60°CBAIN-MARIE
+30°C to +60°C*FOR FISH (DRY ICE)
-2°C to +2°C*FREEZING
0°C to -6°C
-6°C to -12°C
-12°C to -18°CCASH
DESK



MODULES

SYMBOL	LENGTH INCLUDING SIDES** [mm]	DISPLAY AREA [m ²]	UNIT	WEIGHT [kg]
W-12 PVP-k-D	1318	1,06	+	195
W-15 PVP-k-D	1590	1,28	+	215
W-18 PVP-k-D	1880	1,51	+	235
W-20 PVP-k-D	2080	1,71	+	275
W-25 PVP-k-D	2580	2,14	+	335
W-30 PVP-k-D	3080	2,65	+	385
W-37 PVP-k-D	3826	3,23	+	420
W-12 PVP-k-D B/A	1318	1,06	-	175
W-15 PVP-k-D B/A	1590	1,28	-	195
W-18 PVP-k-D B/A	1880	1,51	-	215
W-20 PVP-k-D B/A	2080	1,71	-	255
W-25 PVP-k-D B/A	2580	2,14	-	295
W-30 PVP-k-D B/A	3080	2,65	-	365
W-37 PVP-k-D B/A	3826	3,23	-	400



Cooling capacity requirements* – 500 W/linear meter at $t_0 = -15^\circ\text{C}$

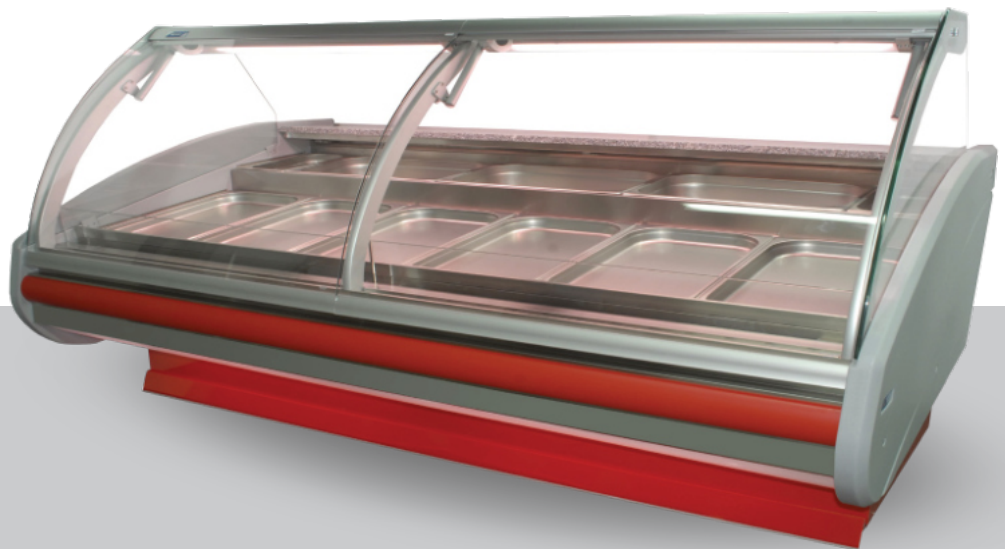
*At an ambient temperature of $+25^\circ\text{C}$ and humidity of 60%

**Side thickness 38 mm

MODENA (W-PVP-K-D)



MODENA W-PVP-K-GN



DISPLAY DEPTH 1200/995



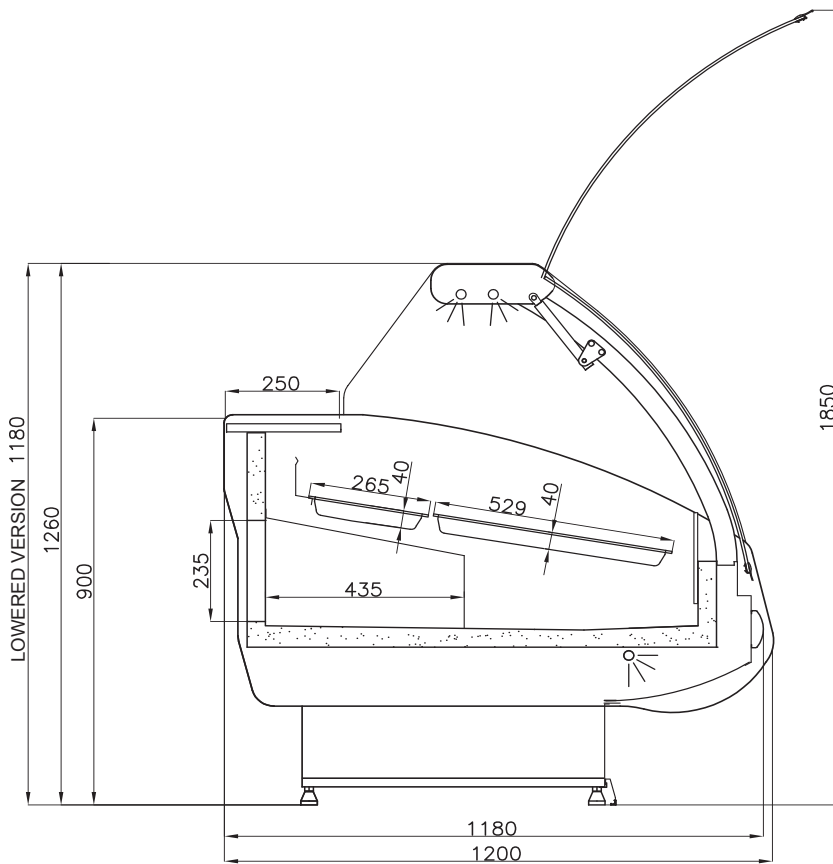
STANDARD EQUIPMENT

- Telescopic glass lift system
- Display area made of acid-resistant stainless steel sheet
- Storage chambers made of acid-resistant stainless steel sheet
- Aluminium profiles - silver/gold colour
- Ecological polyurethane foam insulation
- Energy-efficient LED lighting
- Worktop: granite/acid-resistant stainless steel sheet
- Illuminated lower front panel
- Electronic internal thermometer
- Electronic temperature controller
- Defrosting: automatic
- Condensate drain to the condensate container
- External case powder-coated to RAL 9007
- Plastic sides (50 mm thick), colour choice (grey/brown)
- Front elements made of lacquered steel sheet, colour from RAL palette
- Feet for levelling the device

INTERIOR TEMPERATURE RANGE
: +2°C TO +8°C*DYNAMIC
COOLINGACID-RESISTANT STEEL SHEET
DISPLAY AREAMODULAR
SYSTEMREFRIGERANT
452ATELESCOPIC GLASS
LIFT SYSTEM

ALTERNATIVE VERSIONS

HEATING
+30°C to +60°CBAIN-MARIE
+30°C to +60°C*CASH
DESK



MODULES

SYMBOL	LENGTH INCLUDING SIDES** [mm]	DISPLAY AREA [m ²]	UNIT	WEIGHT [kg]
W-12 PVP-k-GN	1352	1,06	+	165
W-15 PVP-k-GN	1590	1,28	+	185
W-18 PVP-k-GN	1880	1,51	+	230
W-20 PVP-k-GN	2080	1,71	+	265
W-25 PVP-k-GN	2580	2,14	+	295
W-12 PVP-k-GN B/A	1352	1,06	-	145
W-15 PVP-k-GN B/A	1590	1,28	-	165
W-18 PVP-k-GN B/A	1880	1,51	-	200
W-20 PVP-k-GN B/A	2080	1,71	-	245
W-25 PVP-k-GN B/A	2580	2,14	-	275



Cooling capacity requirements* – 500 W/linear meter at $t_0 = -15^\circ\text{C}$

*At an ambient temperature of $+25^\circ\text{C}$ and humidity of 60%

**Side thickness 50 mm

MODENA (W-PVP-K-GN)



www.cold.pl



cold@cold.pl



+48 14 611 11 78

MODENA-CORNER-V NW/NZ W-PVP NW/NZ



DISPLAY DEPTH 1200/995



STANDARD EQUIPMENT

- Storage chambers made of acid-resistant stainless steel sheet (NW)
- Telescopic glass lift system
- Display area made of acid-resistant stainless steel sheet
- Aluminium profiles - silver/gold colour
- Ecological polyurethane foam insulation
- Energy-efficient LED lighting
- Worktop: granite/acid-resistant stainless steel sheet
- Electronic internal thermometer
- Electronic temperature controller
- Defrosting: automatic
- Condensate drain to the condensate container
- External case powder-coated to RAL 9007
- Plastic sides (50 mm thick), colour choice (grey/brown)
- Wooden sides and front
- Front elements made of lacquered steel sheet, colour from RAL palette
- Feet for levelling the device

INTERIOR TEMPERATURE RANGE
: +2°C TO +8°C*GRAVITY
/DYNAMIC COOLING

OH18

ACID-RESISTANT STEEL SHEET
DISPLAY AREAMODULAR
SYSTEM

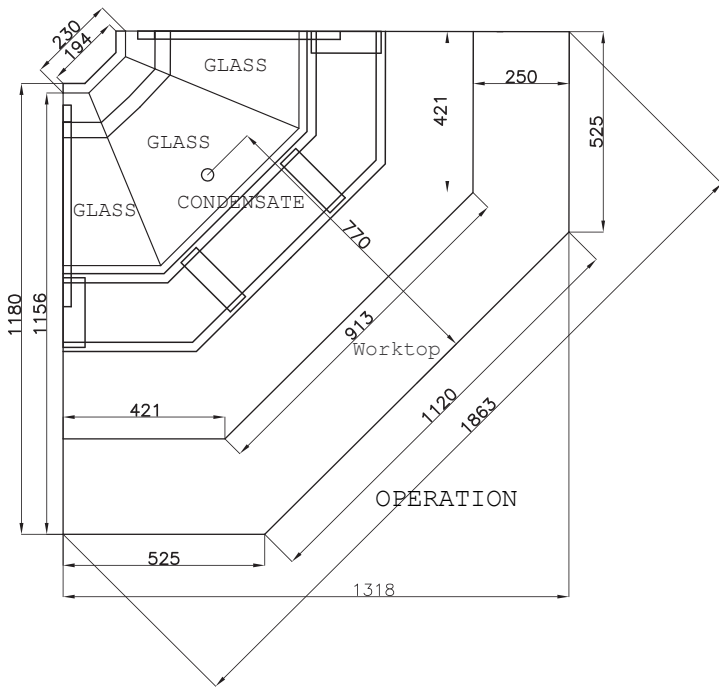
REFRIGERANT 452A

TELESCOPIC GLASS
LIFT SYSTEM

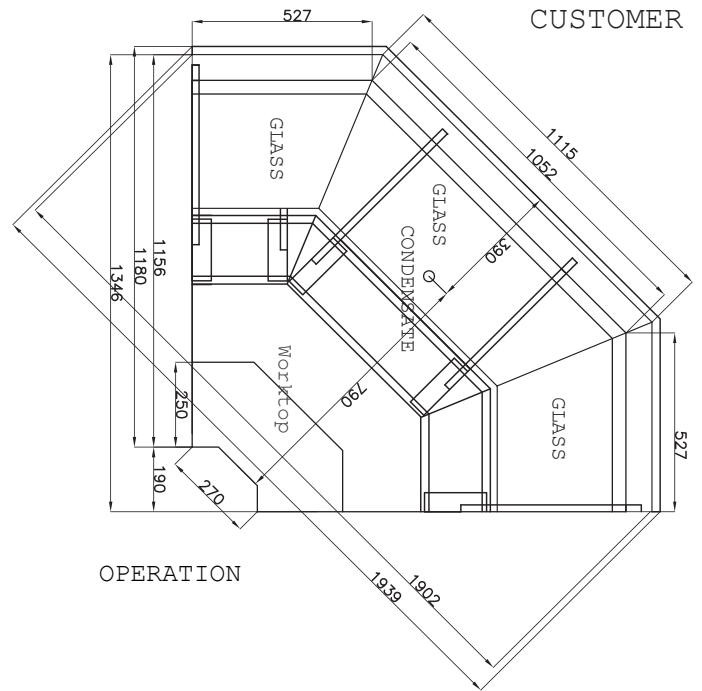
ALTERNATIVE VERSIONS

CASH
DESK

CUSTOMER



CUSTOMER



MODULES

SYMBOL	LENGTH INCLUDING SIDES** [mm]	DISPLAY AREA [m ²]	UNIT	STORAGE CHAMBERS	WEIGHT [kg]
W-13 PVP NW	1318	1,08	+	-	195
W-13 PVP-k NW	1318	1,08	+	+	200
W-13 PVP-k-d NW	1318	1,08	+	+	205
W-13 PVP NZ	1346	1,33	+	-	225
W-13 PVP-d NZ	1346	1,33	+	-	245
W-13 PVP NW B/A	1318	1,08	-	-	175
W-13 PVP-k-d NW B/A	1318	1,08	-	+	185
W-13 PVP-k NW B/A	1318	1,08	-	+	180
W-13 PVP NZ B/A	1346	1,33	-	-	205
W-13 PVP-d NZ B/A	1346	1,33	-	-	225



Cooling capacity requirements* – 500 W/linear meter at $t_0 = -15^{\circ}\text{C}$

*At an ambient temperature of +25°C and humidity of 60%

**Side thickness 50 mm

MODENA-CORNER-V NW/NZ (W-PVP NW/NZ)



www.cold.pl

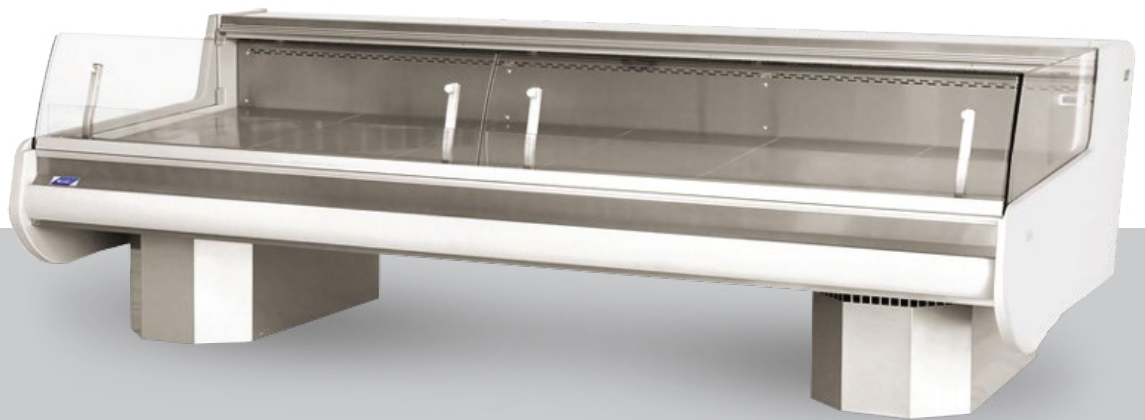


cold@cold.pl



+48 14 611 11 78

MODENA W-PVK



DISPLAY DEPTH 1200/995



STANDARD EQUIPMENT

- Short glass
- Display area made of acid-resistant stainless steel sheet
- Aluminium profiles - silver/gold colour
- Ecological polyurethane foam insulation
- Energy-efficient LED lighting
- Worktop: granite/acid-resistant stainless steel sheet
- Illuminated lower front panel
- Electronic internal thermometer
- Electronic temperature controller
- Defrosting: automatic
- Condensate drain to the condensate container
- External case powder-coated to RAL 9007
- Plastic sides (50 mm thick), colour choice (grey/brown)
- Front elements made of lacquered steel sheet, colour from RAL palette
- Feet for levelling the device

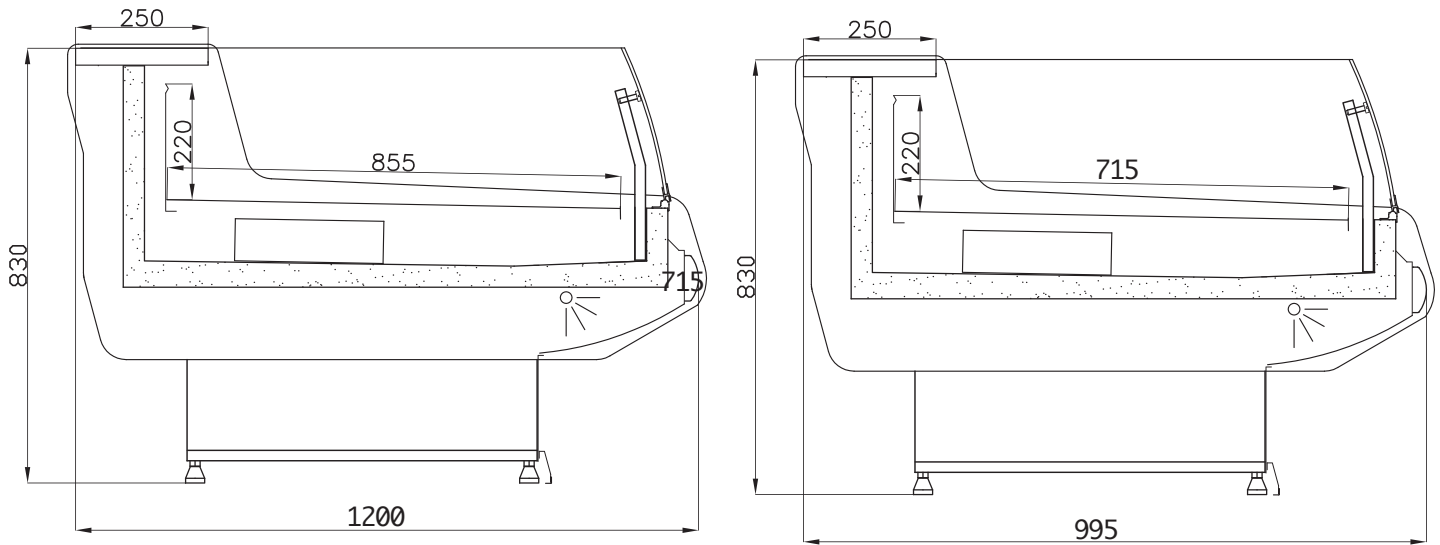
INTERIOR TEMPERATURE RANGE
: +2°C TO +8°C*DYNAMIC
COOLINGACID-RESISTANT STEEL SHEET
DISPLAY AREAMODULAR
SYSTEM

REFRIGERANT 452A

SHORT
GLASS

ALTERNATIVE VERSIONS

FOR FISH (DRY ICE)
-2°C to +2°C*CASH
DESK



MODULES

SYMBOL	LENGTH INCLUDING SIDES** [mm]	DISPLAY AREA [m ²]	UNIT	WEIGHT [kg]
W-12 PVK	1352	1,06	+	175
W-15 PVK	1590	1,28	+	205
W-18 PVK	1880	1,52	+	235
W-20 PVK	2080	1,71	+	260
W-25 PVK	2580	2,14	+	298
W-30 PVK	3080	2,65	+	340
W-12 PVK B/A	1352	1,06	-	155
W-15 PVK B/A	1590	1,28	-	185
W-18 PVK B/A	1880	1,52	-	215
W-20 PVK B/A	2080	1,71	-	240
W-25 PVK B/A	2580	1,71	-	278
W-30 PVK B/A	3080	2,65	-	320



Cooling capacity requirements* – 500 W/linear meter at $t_0 = -15^\circ\text{C}$

*At an ambient temperature of $+25^\circ\text{C}$ and humidity of 60%

**Side thickness 50 mm

MODENA (W-PVK)



www.cold.pl

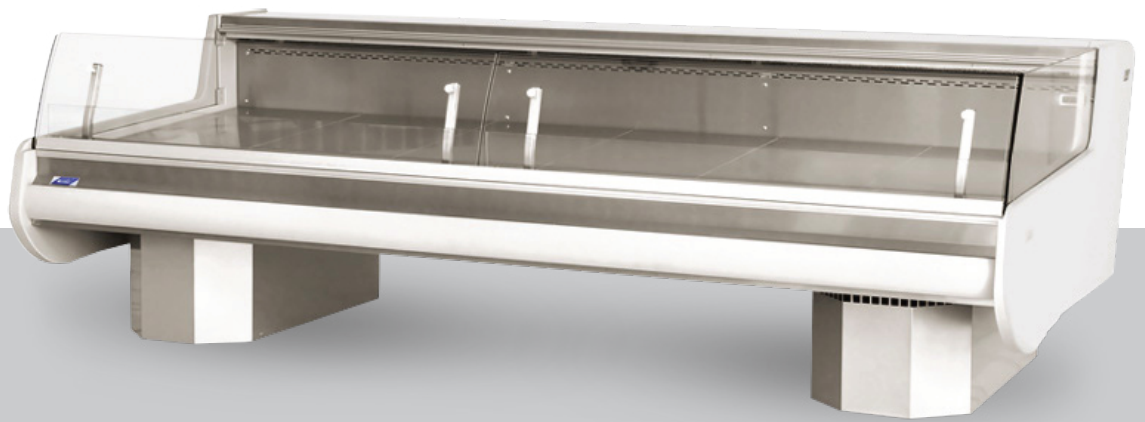


cold@cold.pl



+48 14 611 11 78

MODENA W-PVK-K



DISPLAY DEPTH 1200/995



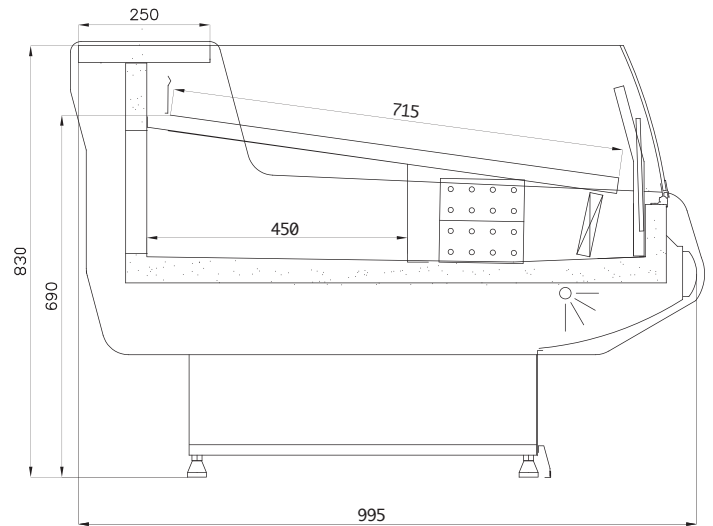
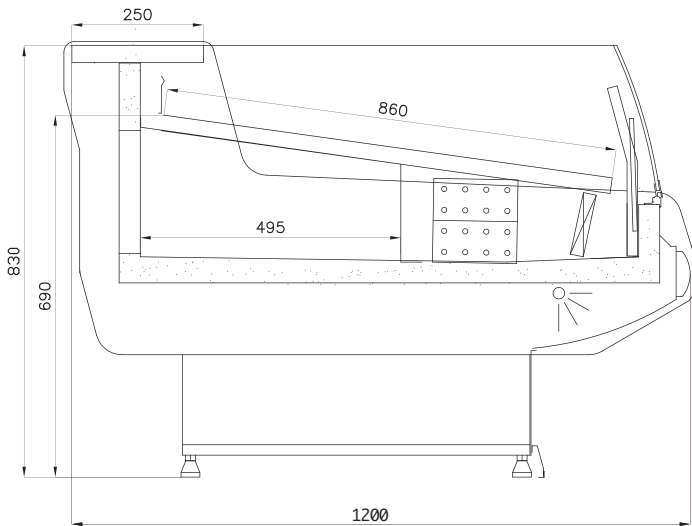
STANDARD EQUIPMENT

- Short glass
- Display area made of acid-resistant stainless steel sheet
- Storage chambers made of acid-resistant stainless steel sheet
- Aluminium profiles - silver/gold colour
- Ecological polyurethane foam insulation
- Energy-efficient LED lighting
- Worktop: granite/acid-resistant stainless steel sheet
- Illuminated lower front panel
- Electronic internal thermometer
- Electronic temperature controller
- Defrosting: automatic
- Condensate drain to the condensate container
- External case powder-coated to RAL 9007
- Plastic sides (50 mm thick), colour choice (grey/brown)
- Front elements made of lacquered steel sheet, colour from RAL palette
- Feet for levelling the device

INTERIOR TEMPERATURE RANGE
: +2°C TO +8°C*DYNAMIC
COOLINGACID-RESISTANT STEEL SHEET
DISPLAY AREAMODULAR
SYSTEMREFRIGERANT
452ASHORT
GLASS

ALTERNATIVE VERSIONS

FOR FISH (DRY ICE)
-2°C to +2°C*CASH
DESK



MODULES

SYMBOL	LENGTH INCLUDING SIDES** [mm]	DISPLAY AREA [m ²]	UNIT	WEIGHT [kg]
W-12 PVK-k	1352	1,06	+	190
W-15 PVK-k	1590	1,28	+	223
W-18 PVK-k	1880	1,55	+	240
W-20 PVK-k	2080	1,71	+	280
W-25 PVK-k	2580	2,14	+	323
W-30 PVK-k	3080	2,65	+	365
W-12 PVK-k B/A	1352	1,06	-	170
W-15 PVK-k B/A	1590	1,28	-	203
W-18 PVK-k B/A	1880	1,55	-	220
W-20 PVK-k B/A	2080	1,71	-	260
W-25 PVK-k B/A	2580	2,14	-	303
W-30 PVK-k B/A	3080	2,65	-	345

! Cooling capacity requirements* – 500 W/linear meter at $t_0 = -15^\circ\text{C}$

*At an ambient temperature of $+25^\circ\text{C}$ and humidity of 60%

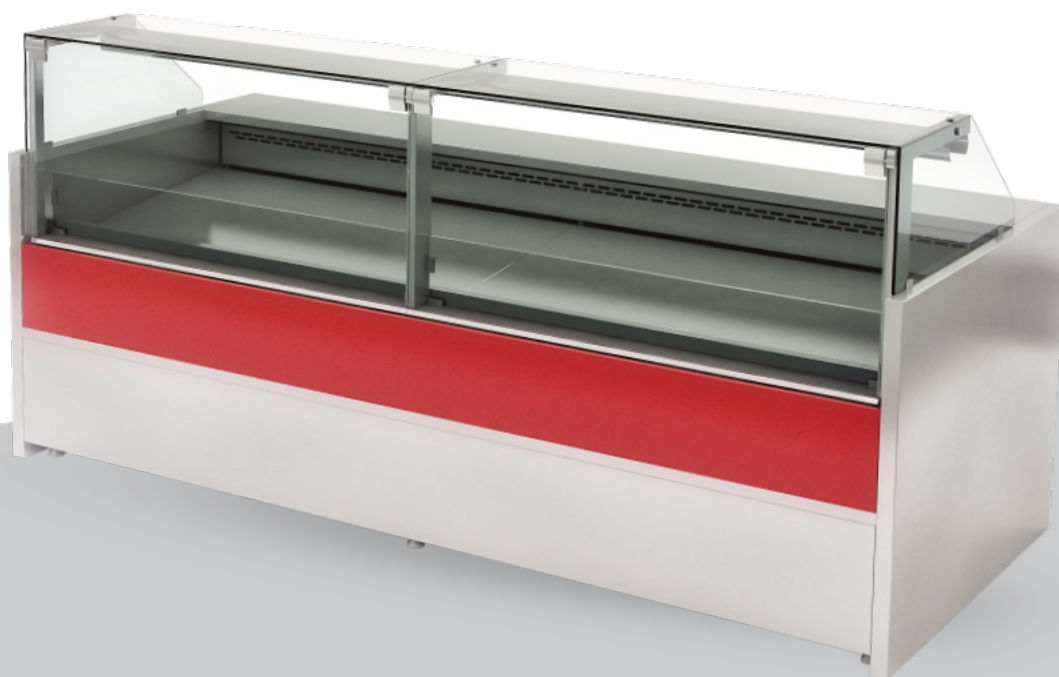
**Side thickness 50 mm

MODENA (W-PVK-K)

COOLING EQUIPMENT

Refrigerated displays

VERONA series



KEY FEATURES OF THE SERIES

OH18

ACID-RESISTANT
SURFACE



MULTIPLE
IMPLEMENTATION
VARIANTS



ENERGY-SAVING



PLUG IN / REMOTE



LED LIGHTING



EVAPORATOR
PIPE WALLS 0.8mm



TYPES OF GLAZING IN A GIVEN SERIES



LIFT UP



SHORT



OPENED



TELESCOPIC SYSTEM



OPTIONAL EQUIPMENT

- Depth: 1200 mm / 990 mm / 890 mm
- Worktop extension by 5cm / 10cm
- Table top pad for the scales
- Cutting board
- Electrical socket
- Temperature recorder (USB)
- Finishing with veneer or wood-like panels
- Painting the whole display case in RAL colour
- Painting the evaporator
- Evaporator heaters
- Stainless profile railing
- "Gastro" feet
- Set of castors
- Bogie bumper
- Serial connection
- Illuminated lower front panel - LED
- Sides made of plywood
- Front made of plywood
- Wooden casing
- Overlay (step) to the display area
- Graduated display area*
- Night curtains
- Fixed (glass) partition II K
- Plexiglass movable partition
- Uncooled glass shelf with backlight

* Not included in the corners

KEY FEATURES OF THE SERIES

Verona series is multifunctional, allowing the displays not only to be cooled but also frozen and heated. As in the case of Modena series, all products have a display area made of OH-18N9 acid-resistant sheet as well as an energy-saving unit and LED lighting. The series is distinguished by straight glass from the customer side.



ACID-RESISTANT SURFACE



MULTIPLE IMPLEMENTATION VARIANTS



ENERGY-SAVING



PLUG IN / REMOTE

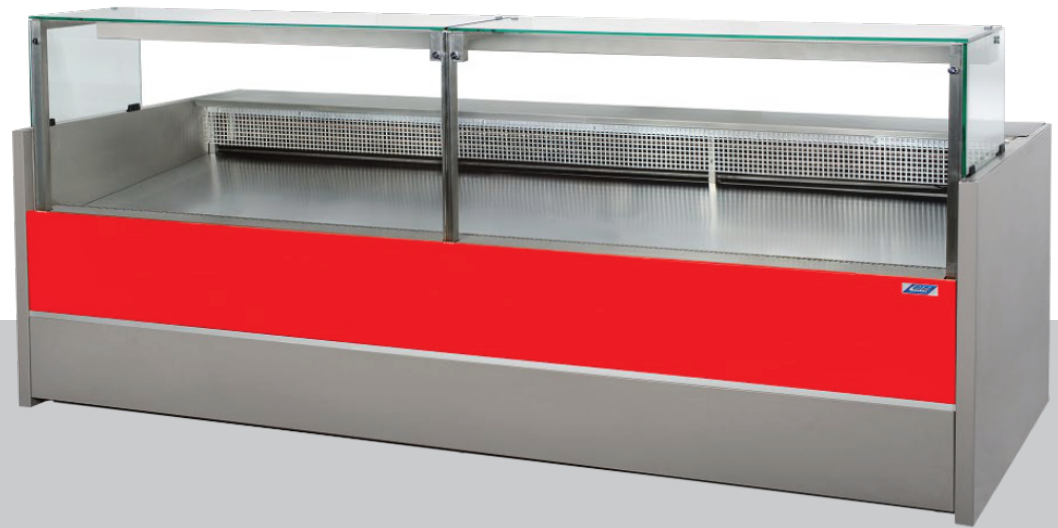


LED LIGHTING



EVAPORATOR PIPE WALLS 0.8mm

VERONA W-PS-K



DISPLAY DEPTH 1200 / 990 / 890



STANDARD EQUIPMENT

- High, straight, tiltable front glass
- Storage chambers: made of acid-resistant stainless steel sheet
- Display area made of acid-resistant stainless steel sheet
- Ecological polyurethane foam insulation
- Interior lighting: energy-saving LED lighting
- Worktop: granite/acid-resistant stainless steel sheet
- Electronic internal thermometer
- Electronic temperature controller
- Defrosting: automatic
- Condensate drain to the condensate container
- External case powder-coated
- Sides made of steel sheet (thickness 45 mm)
- Front elements made of lacquered steel sheet, colour from RAL palette
- Feet for levelling the device
- Gravity cooling

INTERIOR TEMPERATURE RANGE
: +2°C TO +8°C*GRAVITY
COOLINGACID-RESISTANT STEEL SHEET
DISPLAY AREAMODULAR
SYSTEMREFRIGERANT
452A

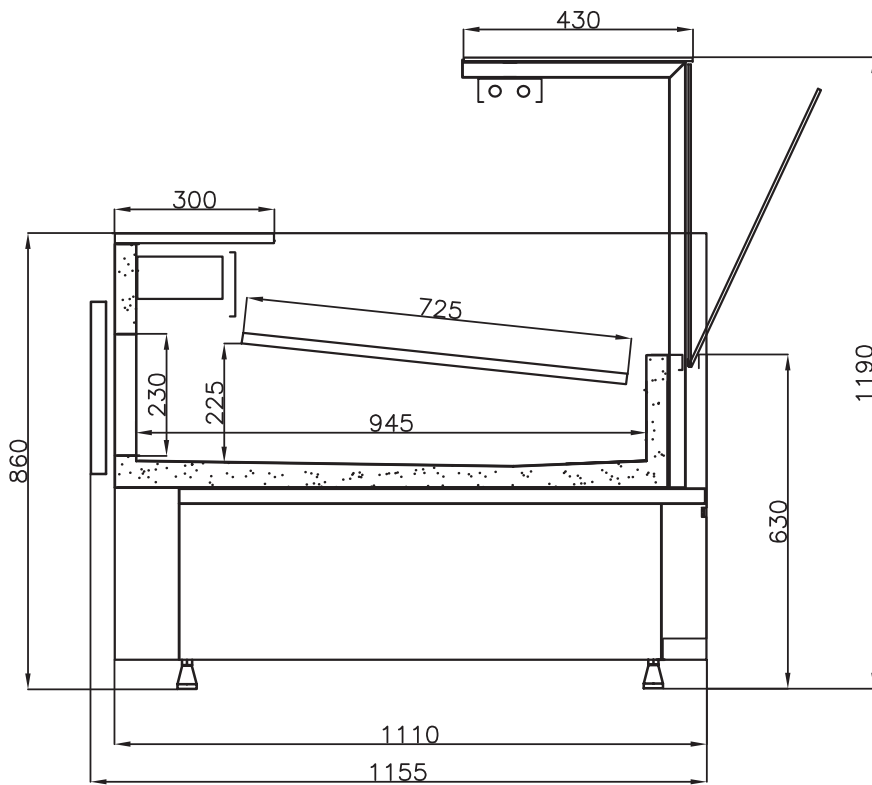
TILTABLE GLASS



ALTERNATIVE VERSIONS

HEATING
+30°C to +60°CBAIN-MARIE
+30°C to +60°C*FOR FISH (DRY ICE)
-2°C to +2°C*CASH
DESK

VERONA (W-PS-K)



MODULES

SYMBOL	LENGTH INCLUDING SIDES** [mm]	DISPLAY AREA [m ²]	UNIT	WEIGHT [kg]
W-12 PS-k	1320	0,95	+	190
W-15 PS-k	1560	1,28	+	205
W-18 PS-k	1860	1,44	+	225
W-20 PS-k	2060	1,51	+	255
W-25 PS-k	2560	1,80	+	310
W-30 PS-k	3060	2,33	+	375
W-37 PS-k	3830	2,87	+	415
W-12 PS-k B/A	1320	0,95	-	170
W-15 PS-k B/A	1560	1,28	-	185
W-18 PS-k B/A	1860	1,44	-	205
W-20 PS-k B/A	2060	1,51	-	235
W-25 PS-k B/A	2560	1,80	-	290
W-30 PS-k B/A	3060	2,33	-	350
W-37 PS-k B/A	3830	2,87	-	395



Cooling capacity requirements* – 450 W/linear meter at $t_0 = -15^\circ\text{C}$

*At an ambient temperature of $+25^\circ\text{C}$ and humidity of 60%

**Side thickness 45 mm

VERONA (W-PS-K)



www.cold.pl



cold@cold.pl



+48 14 611 11 78

VERONA W-PS-K-V



DISPLAY DEPTH 1200 / 990 / 890



STANDARD EQUIPMENT

- Straight, tiltable front glass
- Storage chambers: made of acid-resistant stainless steel sheet
- Display area made of acid-resistant stainless steel sheet
- Aluminium profiles - silver/gold colour
- Ecological polyurethane foam insulation
- Interior lighting: energy-saving LED lighting
- Worktop: granite/acid-resistant stainless steel sheet
- Electronic internal thermometer
- Electronic temperature controller
- Defrosting: automatic
- Condensate drain to the condensate container
- External case powder-coated
- Sides made of steel sheet (thickness 45 mm)
- Front elements made of lacquered steel sheet, colour from RAL palette
- Feet for levelling the device
- Dynamic cooling



INTERIOR TEMPERATURE RANGE
: +2°C TO +8°C*



DYNAMIC COOLING



ACID-RESISTANT STEEL SHEET
DISPLAY AREA



MODULAR SYSTEM



REFRIGERANT
452A



STRAIGHT, TILTABLE FRONT
GLASS



ALTERNATIVE VERSIONS



HEATING
+30°C to +60°C



BAIN-MARIE
+30°C to +60°C*



FOR FISH (DRY ICE)
-2°C to +2°C*



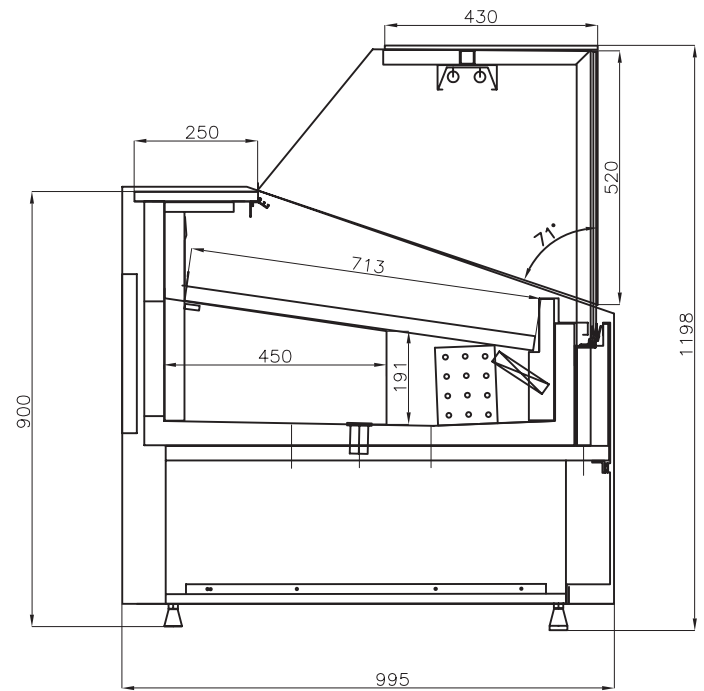
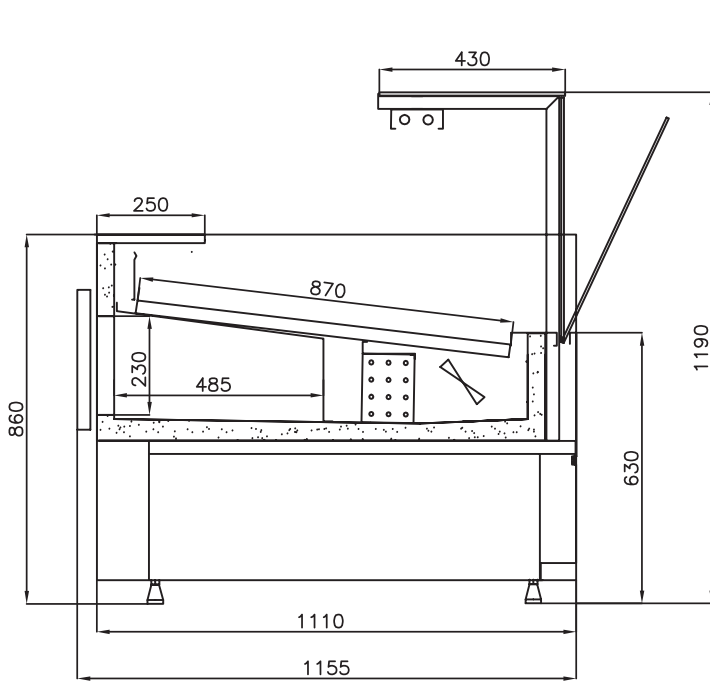
FREEZING
0°C to -6°C
-6°C to -12°C
-12°C to -18°C



CASH
DESK



FOR
SELF-SERVICE



MODULES

SYMBOL	LENGTH INCLUDING SIDES** [mm]	DISPLAY AREA [m ²]	UNIT	WEIGHT [kg]
W-12 PS-k-v	1320	0,95	+	195
W-15 PS-k-v	1560	1,28	+	210
W-18 PS-k-v	1860	1,44	+	230
W-20 PS-k-v	2060	1,51	+	260
W-25 PS-k-v	2560	1,80	+	320
W-30 PS-k-v	3060	2,33	+	385
W-37 PS-k-v	3830	2,87	+	425
W-12 PS-k-v B/A	1320	0,95	-	175
W-15 PS-k-v B/A	1560	1,28	-	190
W-18 PS-k-v B/A	1860	1,44	-	210
W-20 PS-k-v B/A	2060	1,51	-	245
W-25 PS-k-v B/A	2560	1,80	-	300
W-30 PS-k-v B/A	3060	2,33	-	360
W-37 PS-k-v B/A	3830	2,87	-	405



Cooling capacity requirements* – 500 W/linear meter at $t_0 = -15^\circ\text{C}$

*At an ambient temperature of $+25^\circ\text{C}$ and humidity of 60%

**Side thickness 45 mm

VERONA (W-PS-K-V)



www.cold.pl



cold@cold.pl



+48 14 611 11 78

VERONA-CORNER- NW/NZ W-PS-K NW/NZ-V



DISPLAY DEPTH 1200 / 990



STANDARD EQUIPMENT

- Straight front glass
- Storage chambers: made of acid-resistant stainless steel sheet (NW)
- Display area made of acid-resistant stainless steel sheet
- Aluminium profiles - silver/gold colour
- Ecological polyurethane foam insulation
- Interior lighting: energy-saving LED lighting
- Worktop: granite/acid-resistant stainless steel sheet
- Electronic internal thermometer
- Electronic temperature controller
- Defrosting: automatic
- Condensate drain to the condensate container
- External case powder-coated
- Sides made of steel sheet (thickness 45 mm)
- Front elements made of lacquered steel sheet, colour from RAL palette
- Feet for levelling the device
- Gravity/dynamic cooling

INTERIOR TEMPERATURE RANGE
: +2°C TO +8°C*GRAVITY OR DYNAMIC
COOLING (nz dynamic)ACID-RESISTANT STEEL SHEET
DISPLAY AREAMODULAR
SYSTEMREFRIGERANT
452A

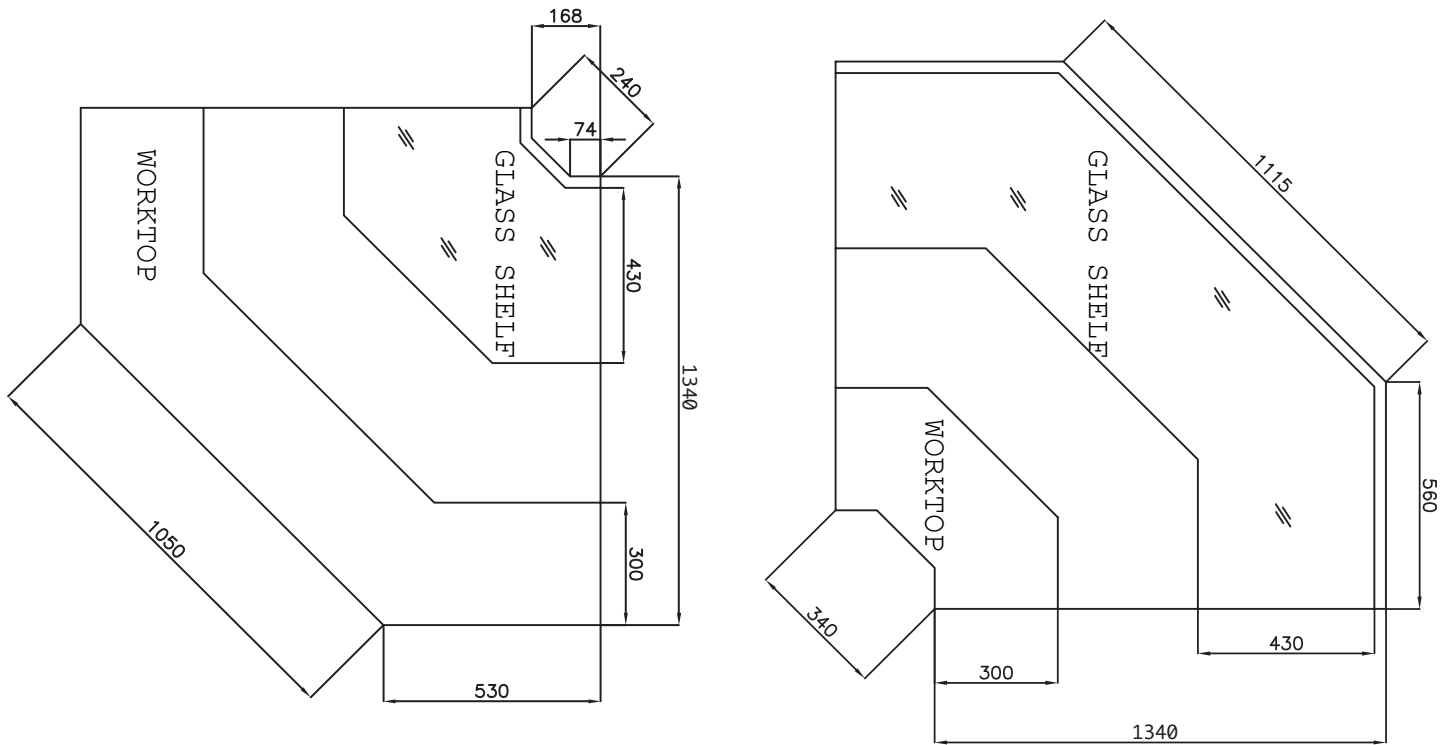
TILTABLE GLASS



ALTERNATIVE VERSIONS

CASH
DESKFOR
SELF-SERVICE

VERONA-CORNER- NW/NZ (W-PS-K NW/NZ-V)



MODULES

SYMBOL	LENGTH INCLUDING SIDES** [mm]	STORAGE CHAMBERS	UNIT	DISPLAY AREA [m ²]	WEIGHT [kg]
W-13 PS-k-v NZ	1340	-	+	1,01	240
W-13 PS-k-v NW	1340	+	+	0,80	215
W-13 PS-k NW	1340	+	+	0,80	195
W-13 PS-k NW B/A	1340	+	-	0,80	175
W-13 PS-k-v NW B/A	1340	+	-	0,80	195
W-13 PS-k-v NZ B/A	1340	-	-	1,01	220



Cooling capacity requirements* – 500 W/linear meter at $t_0 = -15^\circ\text{C}$

*At an ambient temperature of $+25^\circ\text{C}$ and humidity of 60%

*Side thickness 45 mm

VERONA-NAROŻNIK/CORNER- NW/NZ (W-PS-K NW/NZ-V)



www.cold.pl



cold@cold.pl



+48 14 611 11 78

VERONA W-PS-K-O



DISPLAY DEPTH 1200 / 990 / 890



STANDARD EQUIPMENT

- Straight front glass with swivel system
- Storage chambers: made of acid-resistant stainless steel sheet
- Display area made of acid-resistant stainless steel sheet
- Aluminium profiles - silver/gold colour
- Ecological polyurethane foam insulation
- Interior lighting: energy-saving LED lighting
- Worktop: granite/acid-resistant stainless steel sheet
- Electronic internal thermometer
- Electronic temperature controller
- Defrosting: automatic
- Condensate drain to the condensate container
- External case powder-coated
- Sides made of steel sheet (thickness 45 mm)
- Front elements made of lacquered steel sheet, colour from RAL palette
- Feet for levelling the device
- Gravity cooling



INTERIOR TEMPERATURE RANGE
: +2°C TO +8°C*



GRAVITY
COOLING



ACID-RESISTANT STEEL SHEET
DISPLAY AREA



MODULAR
SYSTEM



REFRIGERANT
452A



OPENED GLASSES



ALTERNATIVE VERSIONS



HEATING
+30°C to +60°C



BAIN-MARIE
+30°C to +60°C*

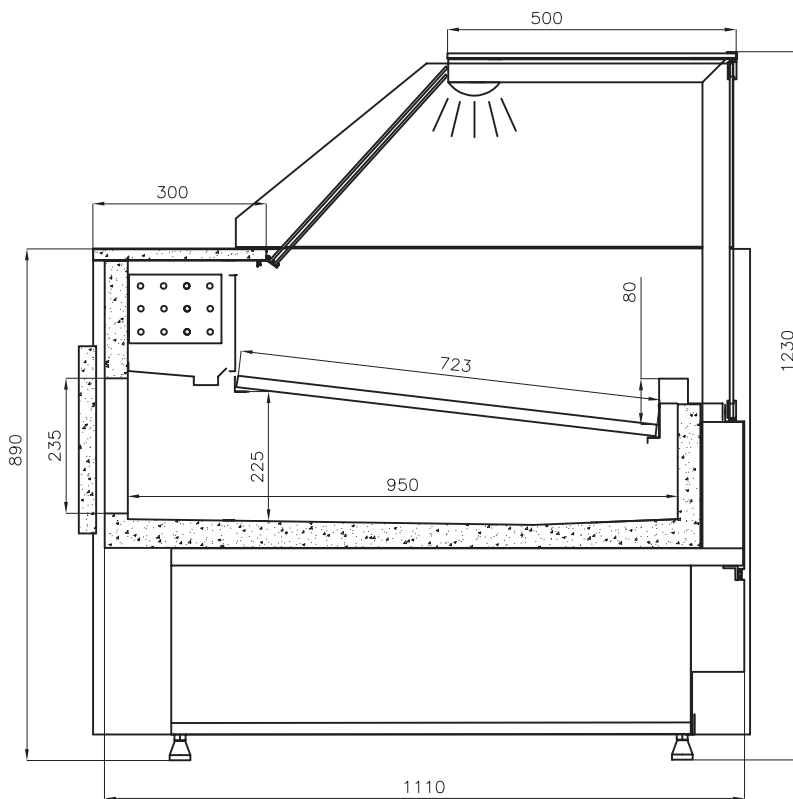


FOR FISH (DRY ICE)
-2°C to +2°C*



CASH
DESK

VERONA (W-PS-K-O)



MODULES

SYMBOL	LENGTH INCLUDING SIDES** [mm]	DISPLAY AREA [m ²]	UNIT	WEIGHT [kg]
W-12 PS-k-O	1320	0,95	+	195
W-15 PS-k-O	1560	1,28	+	210
W-18 PS-k-O	1860	1,44	+	230
W-20 PS-k-O	2060	1,51	+	260
W-25 PS-k-O	2560	1,80	+	320
W-30 PS-k-O	3060	2,33	+	385
W-37 PS-k-O	3840	2,72	+	430
W-12 PS-k-O B/A	1320	0,95	-	175
W-15 PS-k-O B/A	1560	1,28	-	190
W-18 PS-k-O B/A	1860	1,44	-	210
W-20 PS-k-O B/A	2060	1,51	-	245
W-25 PS-k-O B/A	2560	1,80	-	300
W-30 PS-k-O B/A	3060	2,33	-	360
W-37 PS-k-O B/A	3840	2,72	-	410



Cooling capacity requirements* – 450 W/linear meter at $t_0 = -15^\circ\text{C}$

*At an ambient temperature of $+25^\circ\text{C}$ and humidity of 60%

**Side thickness 45 mm

VERONA (W-PS-K-O)



www.cold.pl

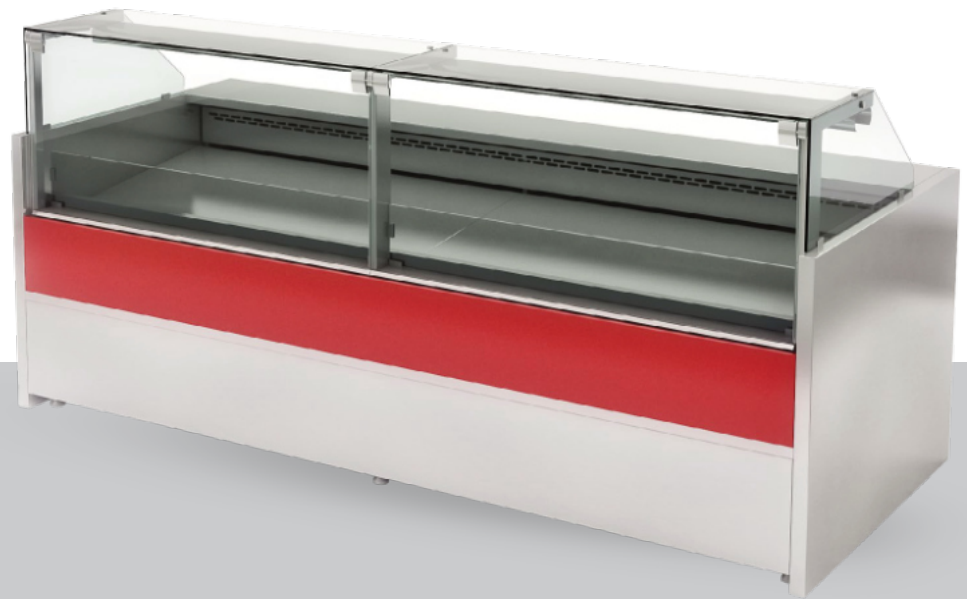


cold@cold.pl



+48 14 611 11 78

VERONA W-PP-K



DISPLAY DEPTH 1200 / 990 / 890



STANDARD EQUIPMENT

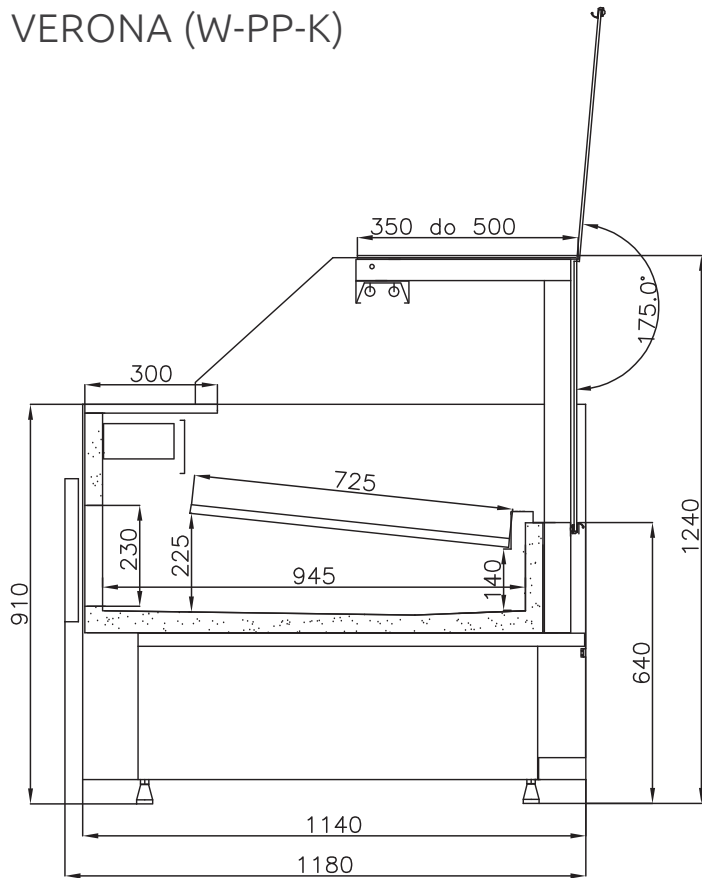
- Telescopic glass lift system
- Storage chambers: made of acid-resistant stainless steel sheet
- Display area made of acid-resistant stainless steel sheet
- Aluminium profiles - silver/gold colour
- Ecological polyurethane foam insulation
- Interior lighting: energy-saving LED lighting
- Worktop: granite/acid-resistant stainless steel sheet
- Electronic internal thermometer
- Electronic temperature controller
- Defrosting: automatic
- Condensate drain to the condensate container
- External case powder-coated
- Sides made of steel sheet (thickness 45 mm)
- Front elements made of lacquered steel sheet, colour from RAL palette
- Feet for levelling the device
- Gravity cooling

INTERIOR TEMPERATURE RANGE
: +2°C TO +8°C*GRAVITY
COOLINGACID-RESISTANT STEEL SHEET
DISPLAY AREAMODULAR
SYSTEMREFRIGERANT
452ATELESCOPIC GLASS
LIFT SYSTEM

ALTERNATIVE VERSIONS

HEATING
+30°C to +60°CBAIN-MARIE
+30°C to +60°C*FOR FISH (DRY ICE)
-2°C to +2°C*CASH
DESK

VERONA (W-PP-K)



MODULES

SYMBOL	LENGTH INCLUDING SIDES** [mm]	DISPLAY AREA [m ²]	UNIT	WEIGHT [kg]
W-12 PP-k	1320	1,08	+	170
W-15 PP-k	1560	1,28	+	185
W-18 PP-k	1860	1,51	+	230
W-20 PP-k	2060	1,44	+	270
W-25 PP-k	2560	1,80	+	285
W-30 PP-k	3060	2,33	+	365
W-37 PP-k	3830	2,87	+	415
W-12 PP-k B/A	1320	1,08	-	155
W-15 PP-k B/A	1560	1,28	-	165
W-18 PP-k B/A	1860	1,51	-	200
W-20 PP-k B/A	2060	1,44	-	235
W-25 PP-k B/A	2560	1,80	-	265
W-30 PP-k B/A	3060	2,33	-	345
W-37 PP-k B/A	3830	2,87	-	395



Cooling capacity requirements* – 450 W/linear meter at $t_0 = -15^\circ\text{C}$

*At an ambient temperature of $+25^\circ\text{C}$ and humidity of 60%

*Side thickness 45 mm

VERONA (W-PP-K)



www.cold.pl

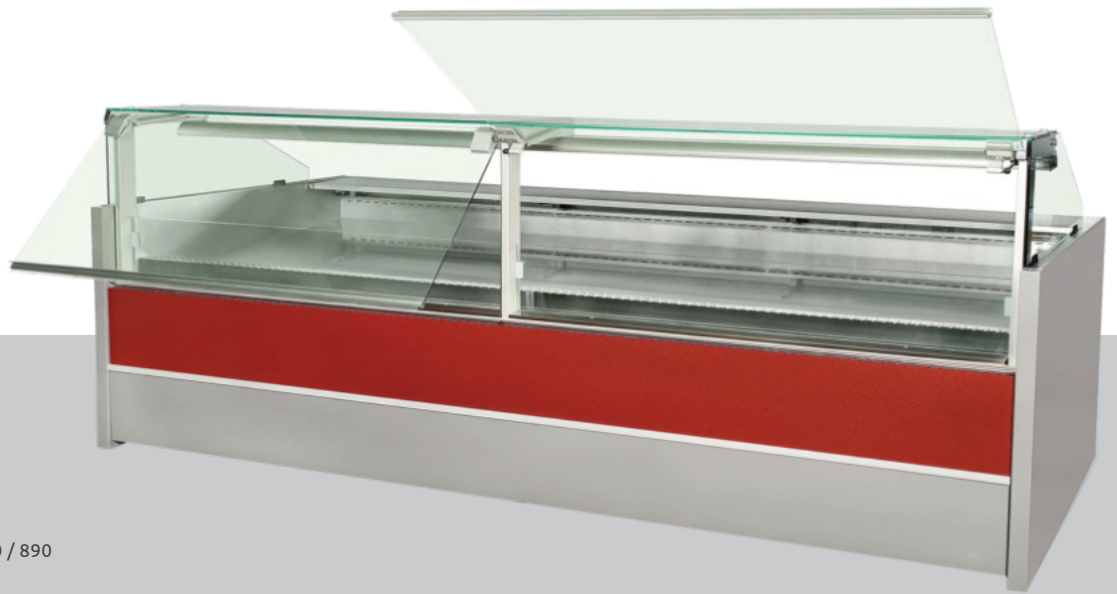


cold@cold.pl



+48 14 611 11 78

VERONA W-PP-K-V



DISPLAY DEPTH 1200 / 990 / 890



STANDARD EQUIPMENT

- Telescopic glass lift system
- Storage chambers: made of acid-resistant stainless steel sheet
- Display area made of acid-resistant stainless steel sheet
- Aluminium profiles - silver/gold colour
- Ecological polyurethane foam insulation
- Interior lighting: energy-saving LED lighting
- Worktop: granite/acid-resistant stainless steel sheet
- Electronic internal thermometer
- Electronic temperature controller
- Defrosting: automatic
- Condensate drain to the condensate container
- External case powder-coated
- Sides made of steel sheet (thickness 45 mm)
- Front elements made of lacquered steel sheet, colour from RAL palette
- Feet for levelling the device
- Dynamic cooling



INTERIOR TEMPERATURE RANGE
: +2°C TO +8°C*



DYNAMIC COOLING



ACID-RESISTANT STEEL SHEET
DISPLAY AREA



MODULAR SYSTEM



REFRIGERANT
452A



TELESCOPIC GLASS
LIFT SYSTEM



ALTERNATIVE VERSIONS



HEATING
+30°C to +60°C



BAIN-MARIE
+30°C to +60°C*



FOR FISH (DRY ICE)
-2°C to +2°C*



FREEZING
0°C to -6°C
-6°C to -12°C
-12°C to -18°C

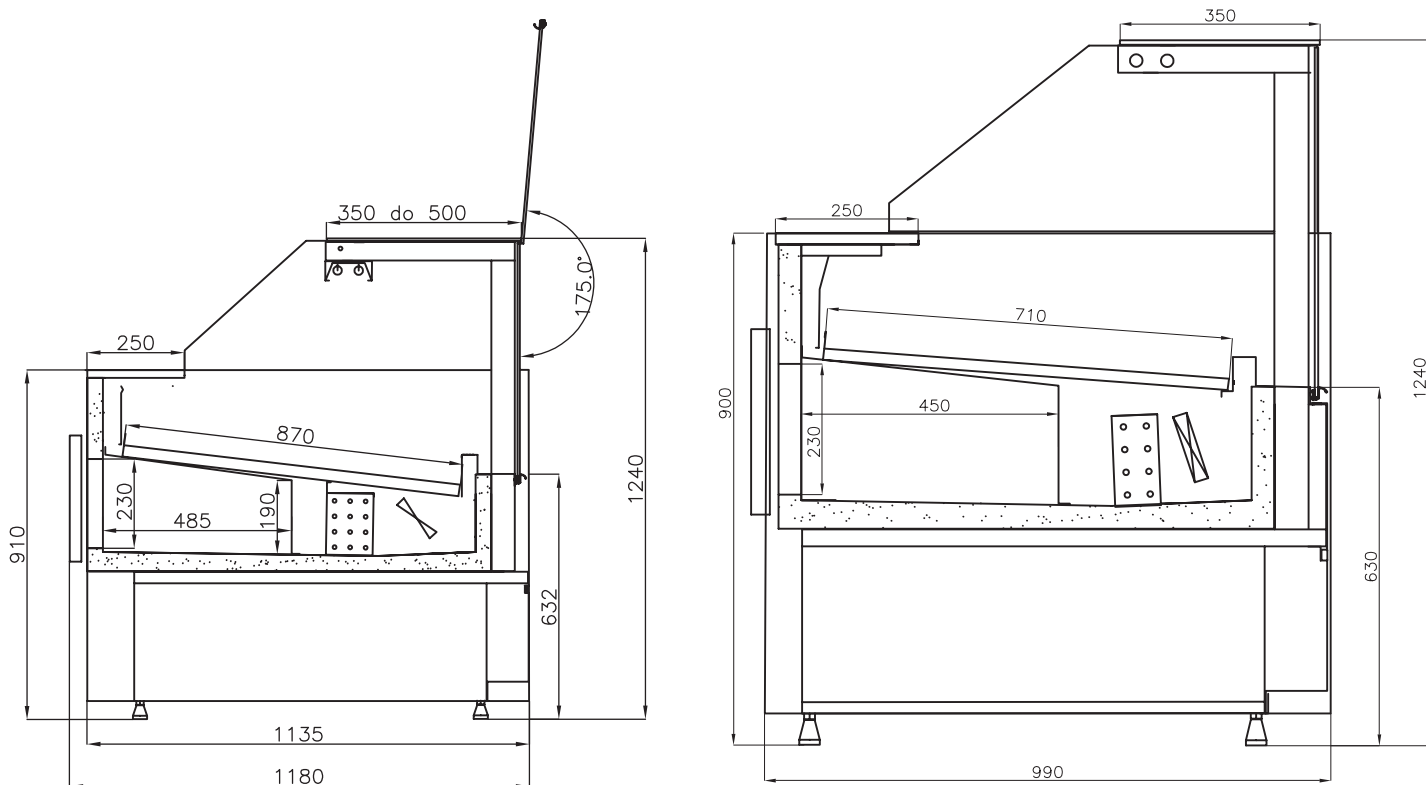


CASHDESK



FOR
SELF-SERVICE

VERONA (W-PP-K-V)



MODULES

SYMBOL	LENGTH INCLUDING SIDES** [mm]	DISPLAY AREA [m ²]	UNIT	WEIGHT [kg]
W-12 PP-k-v	1320	1,08	+	175
W-15 PP-k-v	1560	1,28	+	190
W-18 PP-k-v	1860	1,51	+	235
W-20 PP-k-v	2060	1,44	+	275
W-25 PP-k-v	2560	1,80	+	290
W-30 PP-k-v	3060	2,33	+	370
W-37 PP-k-v	3830	2,87	+	425
W-12 PP-k-v B/A	1320	1,11	-	160
W-15 PP-k-v B/A	1560	1,33	-	170
W-18 PP-k-v B/A	1860	1,51	-	205
W-20 PP-k-v B/A	2060	1,78	-	240
W-25 PP-k -v B/A	2560	2,23	-	270
W-30 PP-k-v B/A	3060	2,65	-	360
W-37 PP-k-v B/A	3830	2,87	-	395

! Cooling capacity requirements* – 500 W/linear meter at t₀ = -15°C

*At an ambient temperature of +25°C and humidity of 60%

*Side thickness 45 mm

VERONA (W-PP-K-V)

VERONA W-PP-K-D



DISPLAY DEPTH 1200 / 990 / 890



STANDARD EQUIPMENT

- Telescopic glass lift system
- Storage chambers: made of acid-resistant stainless steel sheet
- Display area made of acid-resistant stainless steel sheet
- Aluminium profiles - silver/gold colour
- Ecological polyurethane foam insulation
- Interior lighting: energy-saving LED lighting
- Worktop: granite/acid-resistant stainless steel sheet
- Electronic internal thermometer
- Electronic temperature controller
- Defrosting: automatic
- Condensate drain to the condensate container
- External case powder-coated
- Wooden sides and front
- Feet for levelling the device
- Gravity cooling

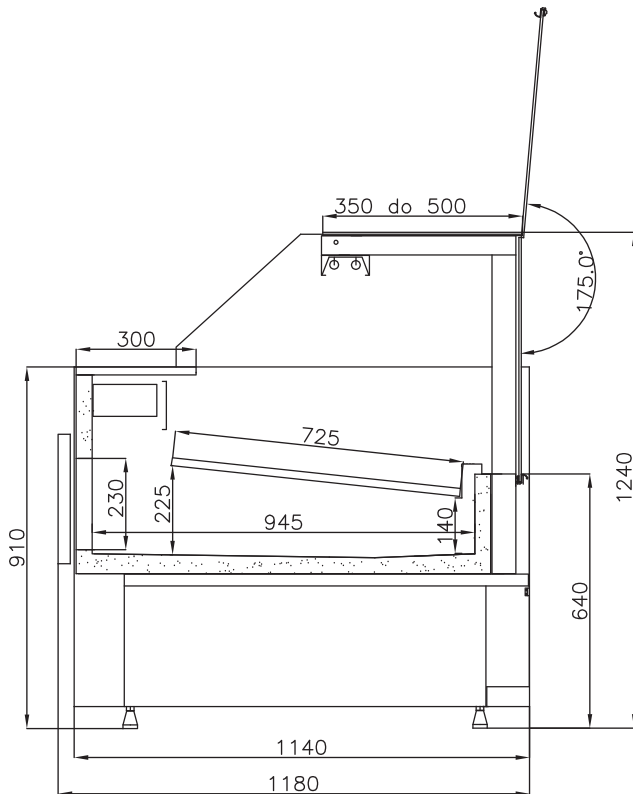
INTERIOR TEMPERATURE RANGE
: +2°C TO +8°C*GRAVITY
COOLINGACID-RESISTANT STEEL SHEET
DISPLAY AREAMODULAR
SYSTEMREFRIGERANT
452ATELESCOPIC GLASS
LIFT SYSTEM

ALTERNATIVE VERSIONS

HEATING
+30°C to +60°CBAIN-MARIE
+30°C to +60°C*FOR FISH (DRY ICE)
-2°C to +2°C*

CASHDESK

VERONA (W-PP-K-D)



MODULES

SYMBOL	LENGTH INCLUDING SIDES** [mm]	DISPLAY AREA [m ²]	UNIT	WEIGHT [kg]
W-12 PP-k-D	1320	1,08	+	190
W-15 PP-k-D	1560	1,28	+	205
W-18 PP-k-D	1860	1,51	+	250
W-20 PP-k-D	2060	1,44	+	290
W-25 PP-k-D	2560	1,80	+	305
W-30 PP-k-D	3060	2,33	+	385
W-37 PP-k-D	3830	2,87	+	440
W-12 PP-k-D B/A	1320	1,08	-	175
W-15 PP-k-D B/A	1560	1,28	-	185
W-18 PP-k-D B/A	1860	1,51	-	220
W-20 PP-k-D B/A	2060	1,44	-	255
W-25 PP-k-D B/A	2560	1,80	-	285
W-30 PP-k-D B/A	3060	2,33	-	375
W-37 PP-k-D B/A	3830	2,87	-	400



Cooling capacity requirements* – 450 W/linear meter at $t_0 = -15^\circ\text{C}$

*At an ambient temperature of $+25^\circ\text{C}$ and humidity of 60%

*Grubość boku 36 mm

VERONA (W-PP-K-D)



www.cold.pl



cold@cold.pl



+48 14 611 11 78

VERONA W-PP-K-V-D



DISPLAY DEPTH 1200 / 990 / 890



STANDARD EQUIPMENT

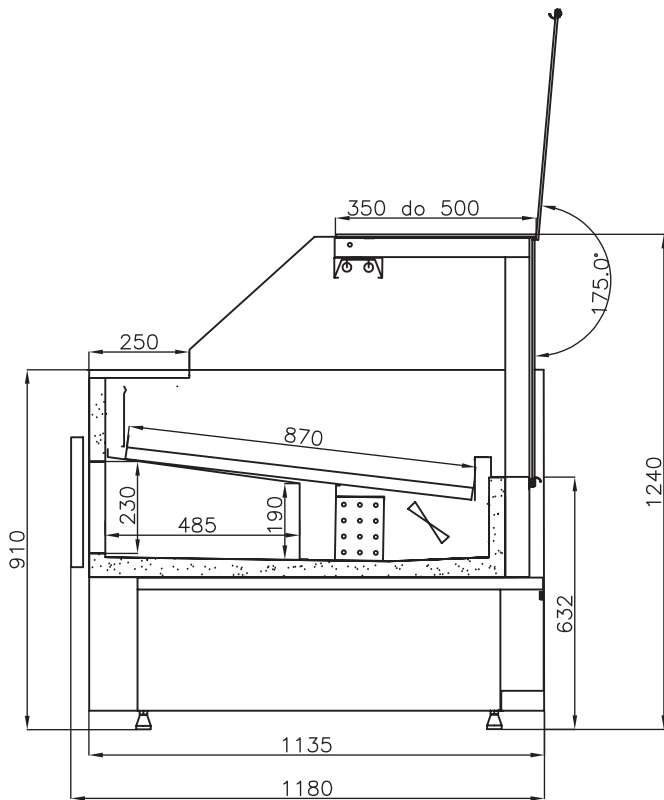
- Straight, lifted front glass
- Storage chambers: made of acid-resistant stainless steel sheet
- Display area made of acid-resistant stainless steel sheet
- Aluminium profiles - silver/gold colour
- Ecological polyurethane foam insulation
- Interior lighting: energy-saving LED lighting
- Worktop: granite/acid-resistant stainless steel sheet
- Electronic internal thermometer
- Electronic temperature controller
- Defrosting: automatic
- Condensate drain to the condensate container
- External case powder-coated
- Wooden sides and front
- Feet for levelling the device
- Gravity cooling

INTERIOR TEMPERATURE RANGE
: +2°C TO +8°C*DYNAMIC
COOLINGOH18
ACID-RESISTANT STEEL SHEET
DISPLAY AREAMODULAR
SYSTEMREFRIGERANT
452ATELESCOPIC GLASS
LIFT SYSTEM

ALTERNATIVE VERSIONS

HEATING
+30°C to +60°CBAIN-MARIE
+30°C to +60°C*FOR FISH (DRY ICE)
-2°C to +2°C*FREEZING
0°C to -6°C
-6°C to -12°C
-12°C to -18°CCASH
DESK

VERONA (W-PP-K-V-D)



MODULES

SYMBOL	LENGTH INCLUDING SIDES** [mm]	DISPLAY AREA [m ²]	UNIT	WEIGHT [kg]
W-12 PP-K-v-D	1320	1,08	+	195
W-15 PP-k-v-D	1560	1,28	+	210
W-18 PP-k-v-D	1860	1,51	+	255
W-20 PP-k-v-D	2060	1,78	+	295
W-25 PP-k-v-D	2560	1,80	+	310
W-30 PP-k-v-D	2560	1,80	+	390
W-37 PP-k-v-D	3060	2,33	+	445
W-12 PP-K-v-D B/A	3830	2,87	-	180
W-15 PP-k-v-D B/A	1320	1,11	-	190
W-18 PP-k-v-D B/A	1560	1,33	-	225
W-20 PP-k-v-D B/A	1860	1,51	-	260
W-25 PP-k-v-D B/A	2060	1,78	-	290
W-30 PP-k-v-D B/A	3060	2,65	-	380
W-37 PP-k-v-D B/A	3830	2,87	-	405



Cooling capacity requirements* – 500 W/linear meter at $t_0 = -15^\circ\text{C}$

*At an ambient temperature of $+25^\circ\text{C}$ and humidity of 60%

*Grubość boku 36 mm

VERONA (W-PP-K-V-D)



www.cold.pl



cold@cold.pl



+48 14 611 11 78

VERONA-CORNER- NW/NZ

W-PP-K NW/NZ-V



DISPLAY DEPTH 1200 / 990



STANDARD EQUIPMENT

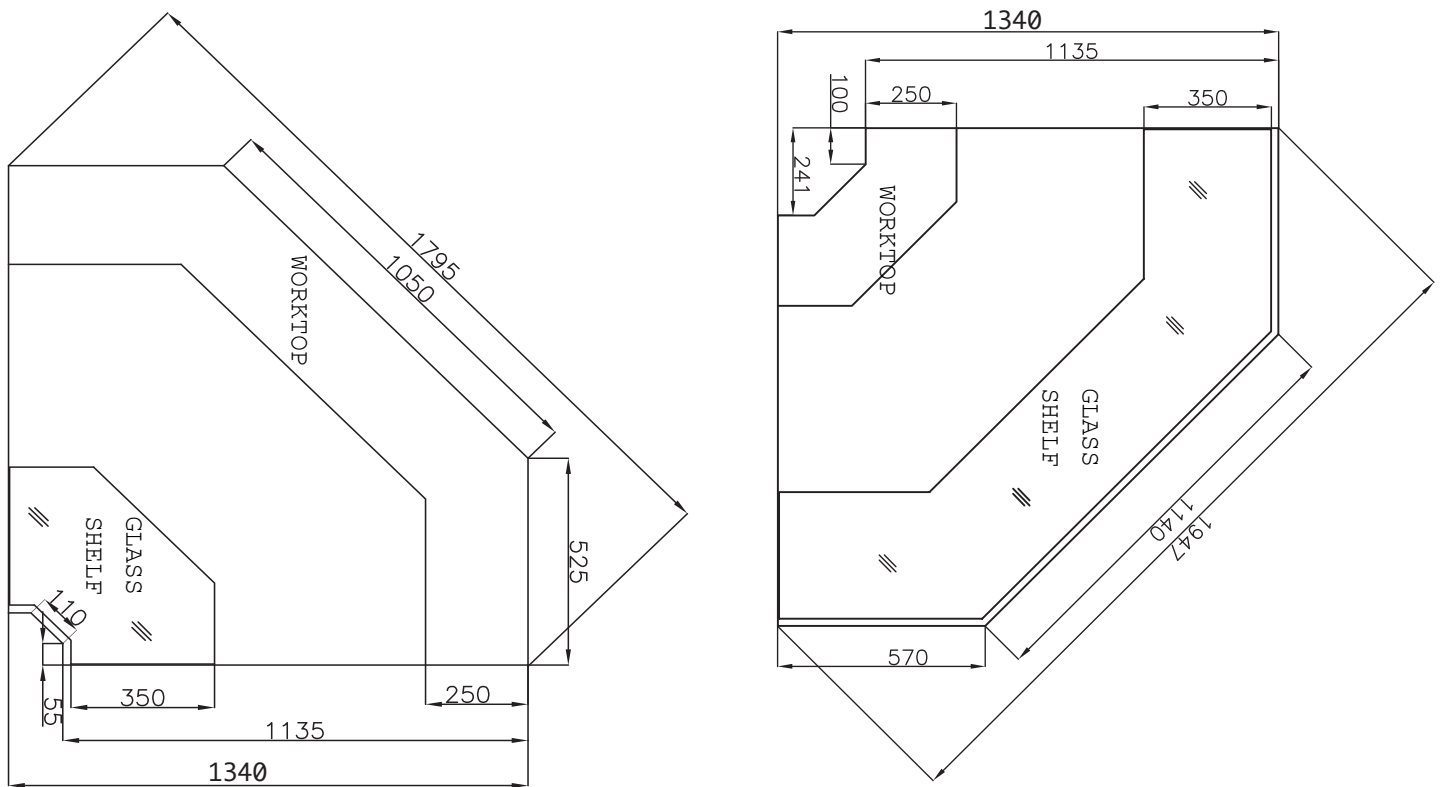
- Telescopic glass lift system
- Storage chambers: made of acid-resistant stainless steel sheet (NW)
- Display area made of acid-resistant stainless steel sheet
- Aluminium profiles - silver/gold colour
- Ecological polyurethane foam insulation
- Interior lighting: energy-saving LED lighting
- Worktop: granite/acid-resistant stainless steel sheet
- Electronic internal thermometer
- Electronic temperature controller
- Defrosting: automatic
- Condensate drain to the condensate container
- External case powder-coated
- Sides made of steel sheet (thickness 45 mm)
- Front elements made of lacquered steel sheet, colour from RAL palette
- Feet for levelling the device
- Gravity/dynamic cooling

INTERIOR TEMPERATURE RANGE
: +2°C TO +8°C*GRAVITY OR DYNAMIC
COOLING (nz dynamic)ACID-RESISTANT STEEL SHEET
DISPLAY AREAMODULAR
SYSTEMREFRIGERANT
452ATELESCOPIC GLASS
LIFT SYSTEM

ALTERNATIVE VERSIONS

CASH
DESKFOR
SELF-SERVICE

VERONA-CORNER- NW/NZ (W-PP-K NW/NZ-V)



MODULES

SYMBOL	LENGTH INCLUDING SIDES** [mm]	STORAGE CHAMBERS	UNIT	DISPLAY AREA [m ²]	WEIGHT [kg]
W-13 PP-k-v NZ	1340	-	+	1,01	245
W-13 PP-k-v NW	1340	+	+	0,80	215
W-13 PP-k-v NZ B/A	1340	-	-	1,01	225
W-13 PP-k-v NW B/A	1340	+	-	0,80	205



Cooling capacity requirements* – 500 W/linear meter at $t_0 = -15^\circ\text{C}$

*At an ambient temperature of $+25^\circ\text{C}$ and humidity of 60%

*Side thickness 45 mm

VERONA-CORNER- NW/NZ (W-PP-K NW/NZ-V)



www.cold.pl



cold@cold.pl



+48 14 611 11 78

VERONA GRANDE W-PP-v-k GRANDE



DISPLAY DEPTH 1170mm



STANDARD EQUIPMENT

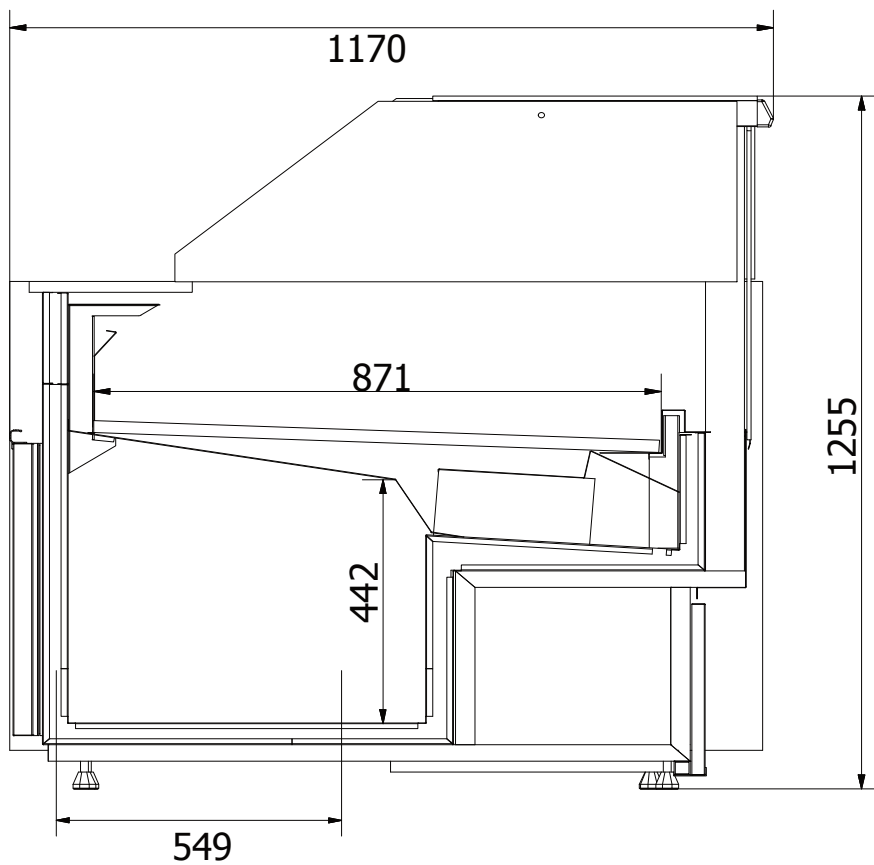
- **Large storage chambers**
- Straight, lifted front glass
- Storage chambers: made of acid-resistant stainless steel sheet
- Display area made of acid-resistant stainless steel sheet
- Aluminium profiles - silver/gold colour
- Ecological polyurethane foam insulation
- Interior lighting: energy-saving LED lighting
- Worktop: granite or acid-resistant stainless steel sheet
- Electronic internal thermometer
- Electronic temperature controller
- Defrosting: automatic
- Condensate drain to the condensate container
- External case powder-coated
- Feet for levelling the device
- Gravity cooling
- Sides made of steel sheet, insulated with polyurethane foam - 40mm
- All glasses safe - tempered

INTERIOR TEMPERATURE RANGE
: +2°C TO +8°C*DYNAMIC
COOLINGACID-RESISTANT STEEL SHEET
DISPLAY AREAMODULAR
SYSTEMREFRIGERANT
452ATELESCOPIC GLASS
LIFT SYSTEM

ALTERNATIVE VERSIONS



CASHDESK



MODULES

SYMBOL	LENGTH INCLUDING SIDES** [mm]	DISPLAY AREA [m ²]	UNIT	WEIGHT [kg]
W-20 PP-v-k GRANDE	2060	1,44	+	290
W-25 PP-v-k GRANDE	2560	1,80	+	305
W-20 PP-v-k GRANDE B/A	2060	1,44	-	255
W-25 PP-v-k GRANDE B/A	2560	1,80	-	265



Cooling capacity requirements*: 500 W/linear meter at $t_0 = -15^\circ\text{C}$

*At an ambient temperature of $+25^\circ\text{C}$ and humidity of 60%

**Side thickness 40 mm

VERONA GRANDE (W-PP-v-k GRANDE)



www.cold.pl



cold@cold.pl

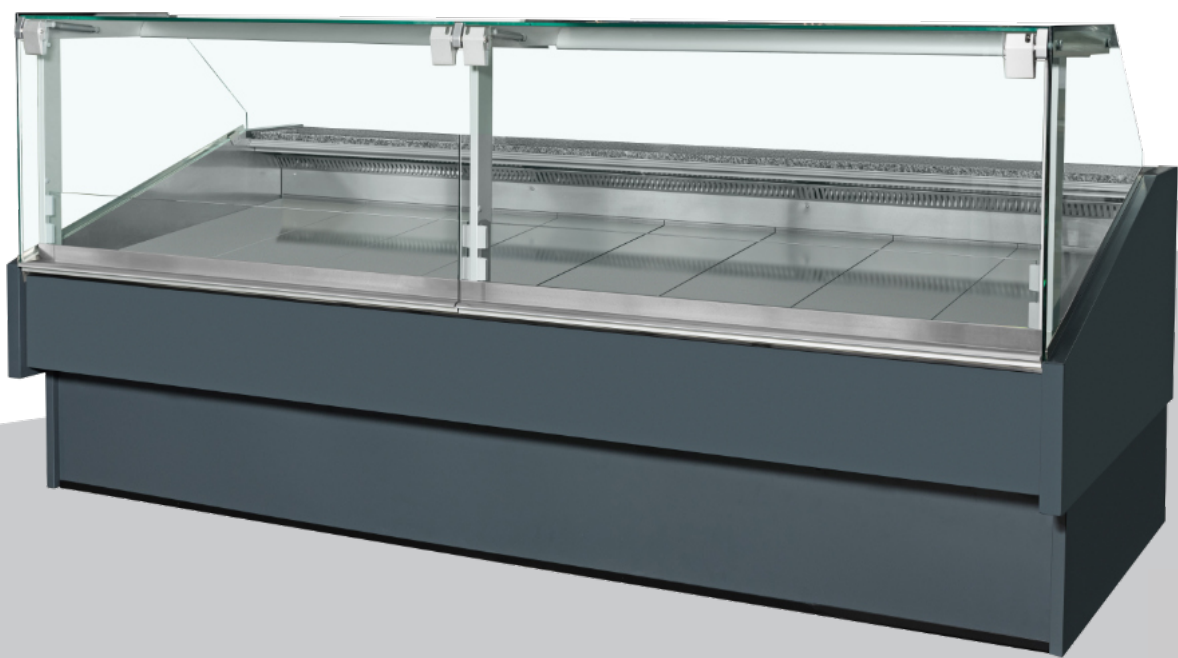


+48 14 611 11 78

COOLING EQUIPMENT

Refrigerated displays

DEHLI series



KEY FEATURES OF THE SERIES



ACID-RESISTANT
SURFACE



ENERGY-SAVING



PLUG IN / REMOTE



LED LIGHTING



EVAPORATOR
PIPE WALLS 0.8mm



TYPES OF GLAZING IN A GIVEN SERIES



TELESCOPIC SYSTEM



OPTIONAL EQUIPMENT

- Worktop extension by 5cm / 10cm
- Table top pad for the scales
- Cutting board
- Electrical socket
- Temperature recorder (USB)
- Finishing with veneer or wood-like panels
- Painting the whole display case in RAL colour
- Painting the evaporator
- Evaporator heaters
- Stainless profile railing
- "Gastro" feet
- Set of castors
- Bogie bumper
- Serial connection
- Illuminated lower front panel - LED
- Sides made of plywood
- Front made of plywood
- Wooden casing
- Overlay (step) to the display area
- Graduated display area*
- Night curtains
- Fixed (glass) partition II K
- Plexiglass movable partition
- Uncooled glass shelf with backlight

* Not included in the corners

KEY FEATURES OF THE SERIES



ACID-RESISTANT SURFACE



ENERGY-SAVING



PLUG IN / REMOTE

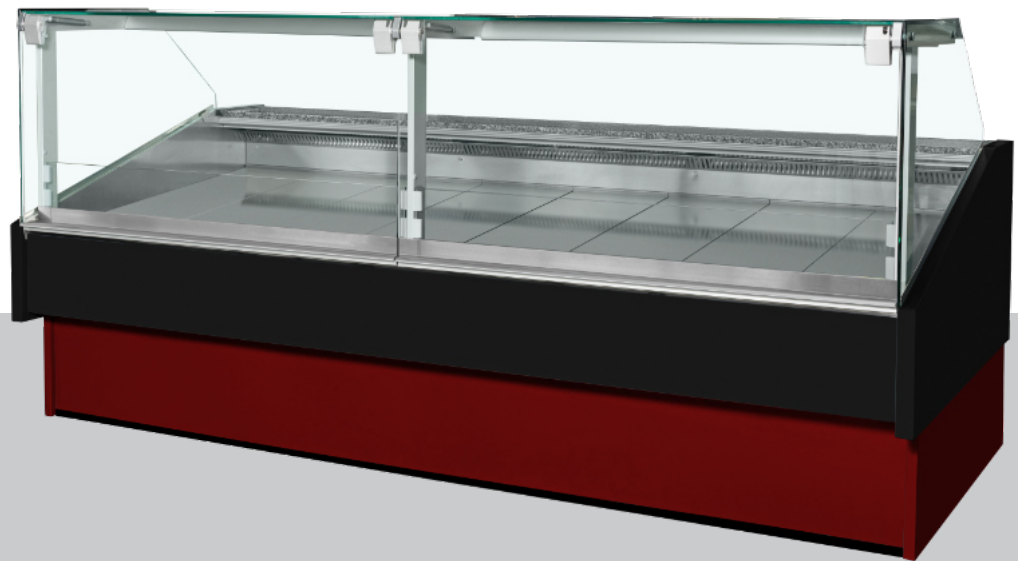


LED LIGHTING



EVAPORATOR PIPE WALLS 0.8mm

DEHLI W-DP-k-v



DISPLAY DEPTH 1188mm



STANDARD EQUIPMENT

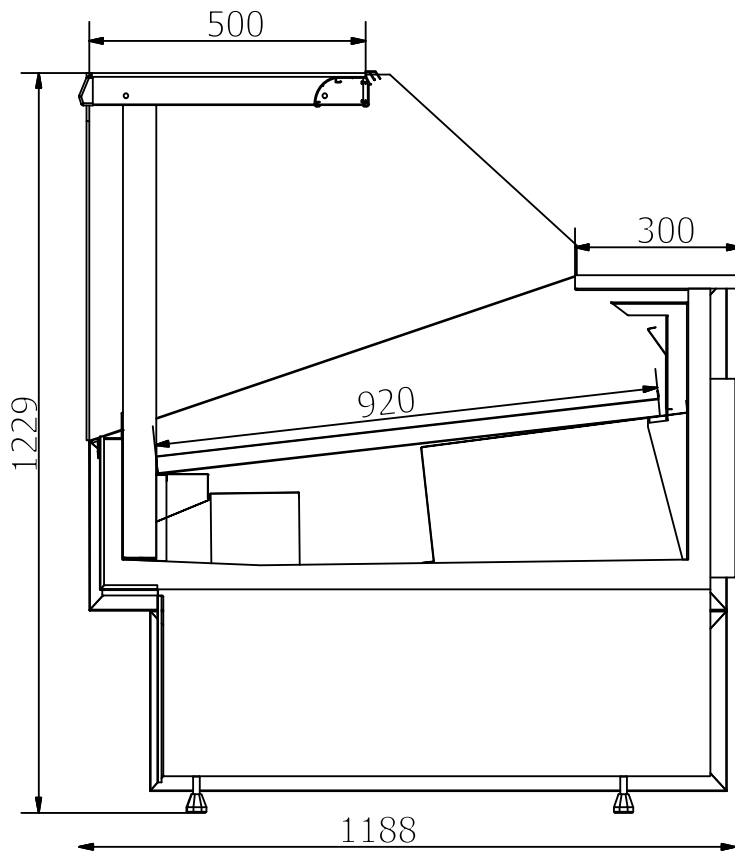
- Depth of the display area - 920mm
 - Telescopic glass lift system
 - Storage chambers: made of acid-resistant stainless steel sheet
 - Display area made of acid-resistant stainless steel sheet
 - Aluminium profiles - silver/gold colour
 - Ecological polyurethane foam insulation
 - Interior lighting: energy-saving LED lighting
 - Worktop: granite/acid-resistant stainless steel sheet
 - Electronic internal thermometer
 - Electronic temperature controller
 - Defrosting: automatic
 - Condensate drain to the condensate container
 - External case powder-coated
 - Sides made of steel sheet (thickness 45 mm)
 - Front elements made of lacquered steel sheet, colour from RAL palette
 - Feet for levelling the device
- Dynamic cooling

INTERIOR TEMPERATURE RANGE
: +2°C TO +8°C*DYNAMIC
COOLINGOH18
ACID-RESISTANT STEEL SHEET
DISPLAY AREAMODULAR
SYSTEMREFRIGERANT
452ATELESCOPIC GLASS
LIFT SYSTEM

ALTERNATIVE VERSIONS



CASHDESK



MODULES

SYMBOL	LENGTH INCLUDING SIDES** [mm]	DISPLAY AREA [m ²]	UNIT	WEIGHT [kg]
W-12 DP-k-v	1320	1,18	+	175
W-15 DP-k-v	1560	1,36	+	190
W-18 DP-k-v	1860	1,64	+	235
W-20 DP-k-v	2060	1,82	+	275
W-25 DP-k-v	2560	2,28	+	290
W-30 DP-k-v	3060	2,74	+	370
W-37 DP-k-v	3830	3,45	+	425
W-12 DP-k-v B/A	1320	1,18	-	160
W-15 DP-k-v B/A	1560	1,36	-	170
W-18 DP-k-v B/A	1860	1,64	-	205
W-20 DP-k-v B/A	2060	1,82	-	240
W-25 DP-k -v B/A	2560	2,28	-	270
W-30 DP-k-v B/A	3060	2,74	-	360
W-37 DP-k-v B/A	3830	3,45	-	395



Cooling capacity requirements* – 500 W/linear meter at $t_0 = -15^\circ\text{C}$

*At an ambient temperature of $+25^\circ\text{C}$ and humidity of 60%

**Side thickness 45 mm

DEHLI (W-DP-k-v)



www.cold.pl



cold@cold.pl

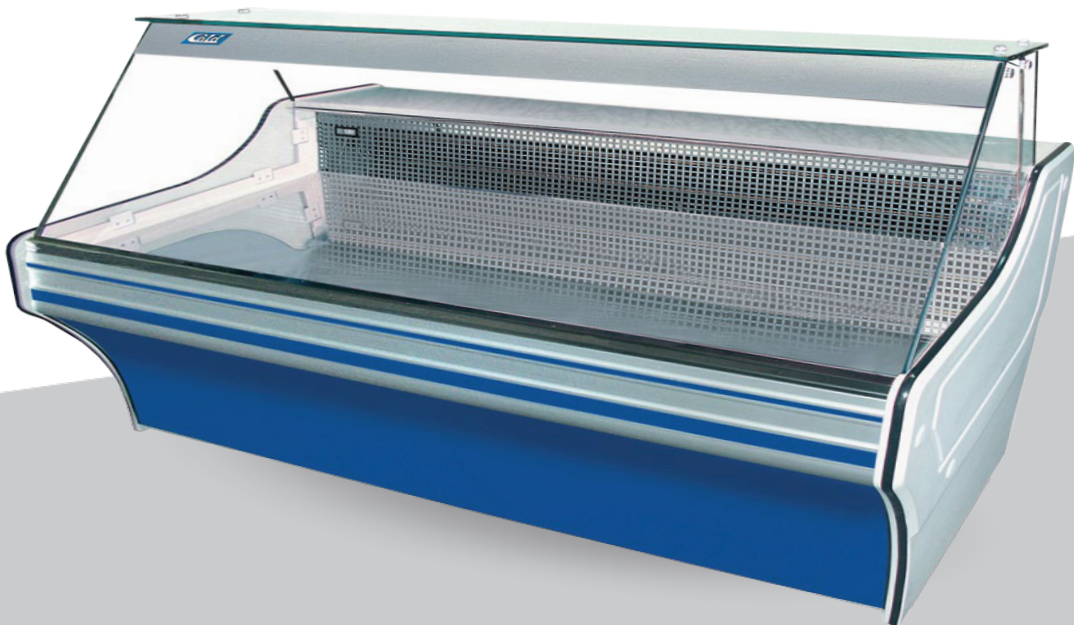


+48 14 611 11 78

COOLING EQUIPMENT

Refrigerated displays

OTHER SERIES



KEY FEATURES OF THE SERIES



PLUG IN / REMOTE



ENERGY-SAVING



LED LIGHTING



EVAPORATOR
PIPE WALLS 0.8mm



NIGHT CURTAINS



OPTIONAL EQUIPMENT

- Dynamic cooling
- Preparation for operation with an outdoor unit
- Customer serving shelf made of acid-resistant OH-18 stainless steel sheet*
- Finishing of the display chamber made of acid-resistant OH-18 stainless steel sheet
- Graduated display area**
- Worktop extension by 5cm-10 cm
- Table top pad for the scales
- Cutting board
- Paper holder
- Knife holder
- Fixed (glass) partition II K
- Plexiglass movable partition
- Electrical socket
- Temperature recorder (USB)
- Uncooled glass shelf
- Shelf for customer bags - railing
- Front veneer finish
- Painting the whole display case in RAL colour
- Painting the evaporator
- Evaporator heaters
- Bogie bumper
- Set of castors
- Wide aluminium screen with a bracket***

*not applicable to W-S series

**everywhere except in the corners

***Hamburg NG only

KEY FEATURES OF THE SERIES



PLUG IN / REMOTE



ENERGY-SAVING



LED LIGHTING



EVAPORATOR PIPE WALLS 0.8mm



NIGHT CURTAINS

BRAGA (W-S)



STANDARD EQUIPMENT

- Energy-efficient LED lighting
- Storage chambers: made of stainless steel sheet
- Aluminium profiles - silver/gold colour
- Ecological polyurethane foam insulation
- Display area made of stainless steel sheet
- Worktop: granite/acid-resistant stainless steel sheet
- Night curtains
- Electronic internal thermometer
- Electronic temperature controller
- Defrosting: automatic
- Condensate drain to the condensate container
- External case powder-coated to white colour
- Plastic sides (50 mm thick), colour choice (grey/brown)
- Feet for levelling the device



INTERIOR TEMPERATURE RANGE
+2°C TO +8°C*



GRAVITY
COOLING



MODULAR
SYSTEM



REFRIGERANT 452A



HIGH, STRAIGHT,
TILTABLE FRONT GLASS



ALTERNATIVE VERSIONS



CASHDESK



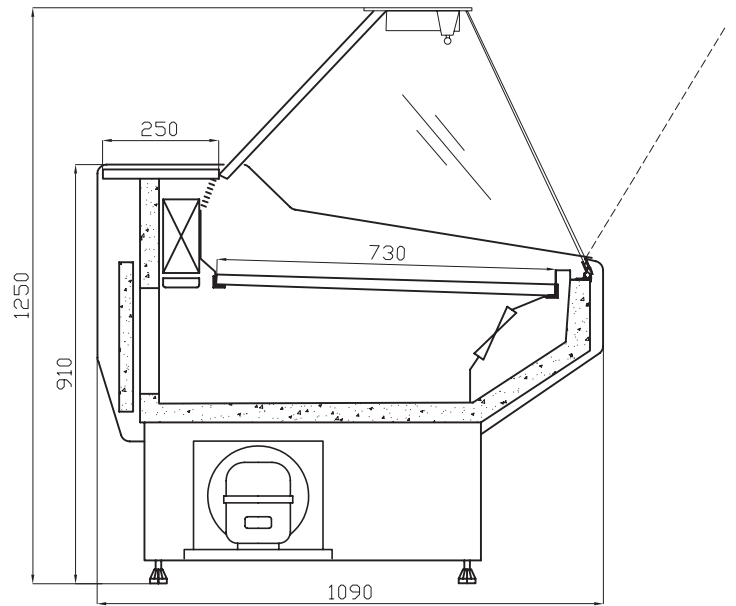
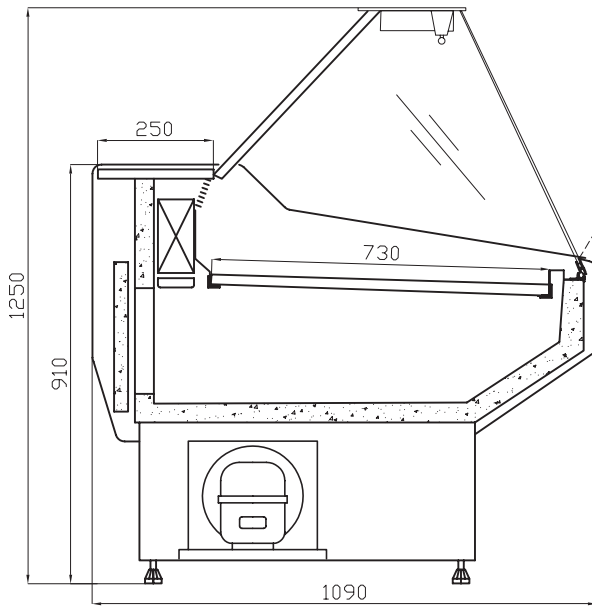
FOR FISH (DRY ICE)
-2°C to +2°C*



FREEZING
0°C TO -6°C
-6°C TO -12°C



FOR SELF-SERVICE
(short glass – SELF)



MODULES

SYMBOL	LENGTH INCLUDING SIDES** [mm]	DISPLAY AREA [m ²]	UNIT	WEIGHT [kg]
W-10 S	1045	0,65	+	118
W-12 S	1245	0,8	+	129
W-14 S	1445	0,95	+	136
W-15 S	1545	1,01	+	143
W-16 S	1645	1,06	+	150
W-18 S	1845	1,23	+	164
W-20 S	2045	1,37	+	177
W-24 S	2445	1,65	+	197
W-28 S	2845	1,94	+	219
W-30 S	3045	2,08	+	245



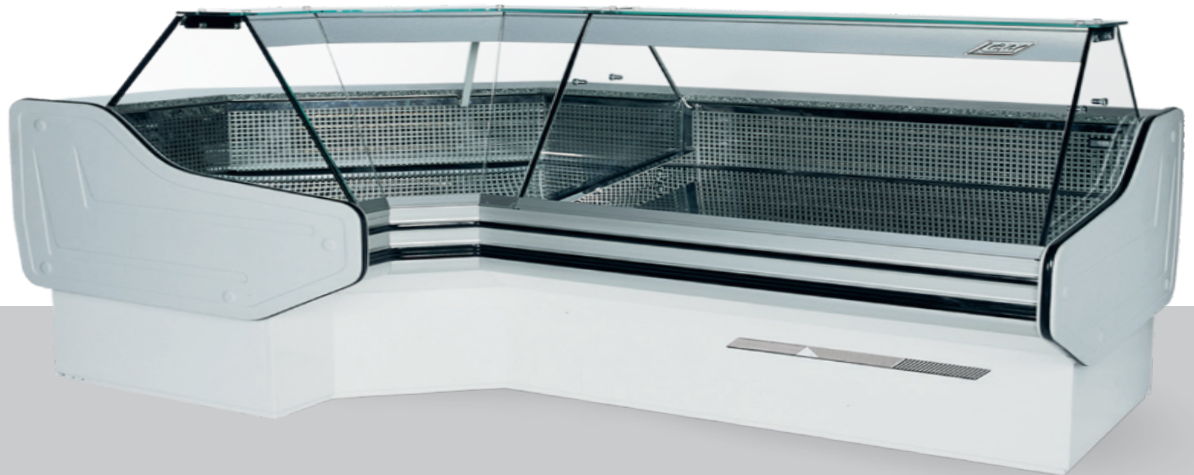
Cooling capacity requirements at $t_0 = -15^\circ\text{C}$: 450 W/linear meter

*At an ambient temperature of $+25^\circ\text{C}$ and humidity of 60%

**Side thickness 50 mm



BRAGA (W-S) NW/NZ-V



STANDARD EQUIPMENT

- Energy-efficient LED lighting
- Storage chambers: made of stainless steel sheet
- Aluminium profiles - silver/gold colour
- Ecological polyurethane foam insulation
- Display area made of stainless steel sheet
- Worktop: granite/acid-resistant stainless steel sheet
- Night curtains
- Electronic internal thermometer
- Electronic temperature controller
- Defrosting: automatic
- Condensate drain to the condensate container
- External case powder-coated to white colour
- Plastic sides (50 mm thick), colour choice (grey/brown)
- Feet for levelling the device



INTERIOR TEMPERATURE RANGE
+2°C TO +8°C*



GRAVITY
/DYNAMIC COOLING



MODULAR
SYSTEM



REFRIGERANT 452A



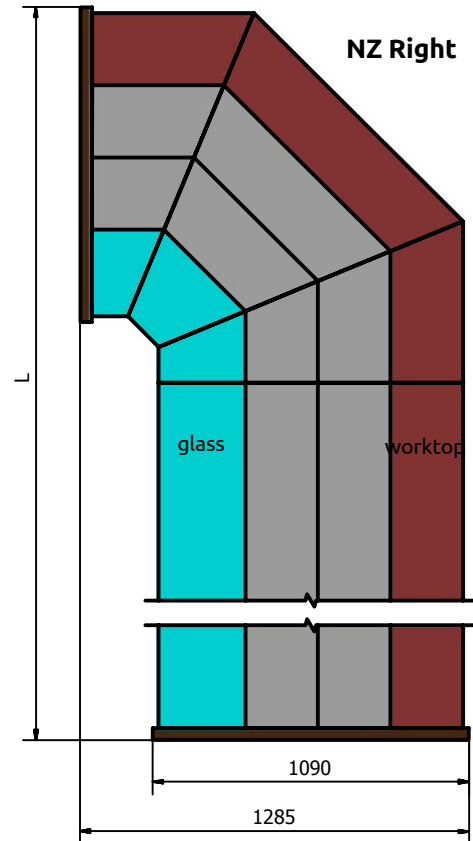
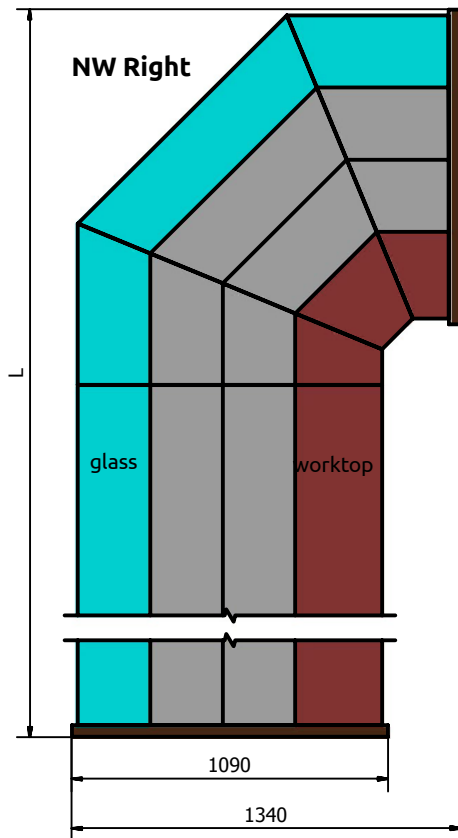
HIGH, STRAIGHT,
TILTABLE FRONT GLASS



ALTERNATIVE VERSIONS



CASH
DESK



MODULES

SYMBOL	LENGTH INCLUDING SIDES** [mm]	DISPLAY AREA [m ²]	UNIT	WEIGHT [kg]
W-12 S NZ-v	2435	1,65	+	247
W-12 S NW	2490	1,51	+	246
W-15 S NZ-v	2735	1,88	+	267
W-15 S NW	2790	1,71	+	305
W-12 S NZ-v B/A	2435	1,65	-	227
W-12 S NW B/A	2490	1,51	-	226
W-15 S NZ-v B/A	2735	1,88	-	247
W-15 S NW B/A	2790	1,71	-	285



Cooling capacity requirements at $t_0 = -15^\circ\text{C}$: 450 W/linear meter

*At an ambient temperature of $+25^\circ\text{C}$ and humidity of 60%

**Side thickness 50 mm

BRAGA-NW/NZ (W-S NW/NZ-V)



www.cold.pl

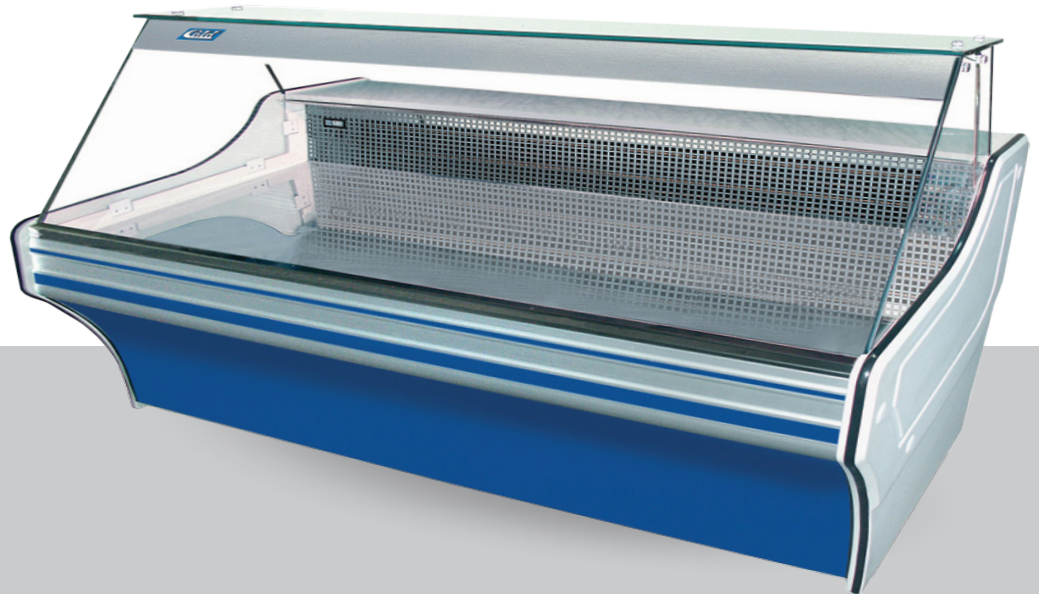


cold@cold.pl



+48 14 611 11 78

VIGO (W-S-W)



STANDARD EQUIPMENT

- Energy-efficient LED lighting
- Storage chambers: made of stainless steel sheet
- Aluminium profiles - silver/gold colour
- Ecological polyurethane foam insulation
- Worktop: granite/acid-resistant stainless steel sheet
- Night curtains
- Electronic internal thermometer
- Electronic temperature controller
- Defrosting: automatic
- Condensate drain to the condensate container
- External case powder-coated to white colour
- Plastic sides (50 mm thick), colour choice (grey/brown)
- Feet for levelling the device

 INTERIOR TEMPERATURE RANGE
+2°C TO +8°C*

 GRAVITY COOLING

 MODULAR SYSTEM

 REFRIGERANT 452A

 HIGH, STRAIGHT, TILTABLE FRONT GLASS

ALTERNATIVE VERSIONS



CASH
DESK



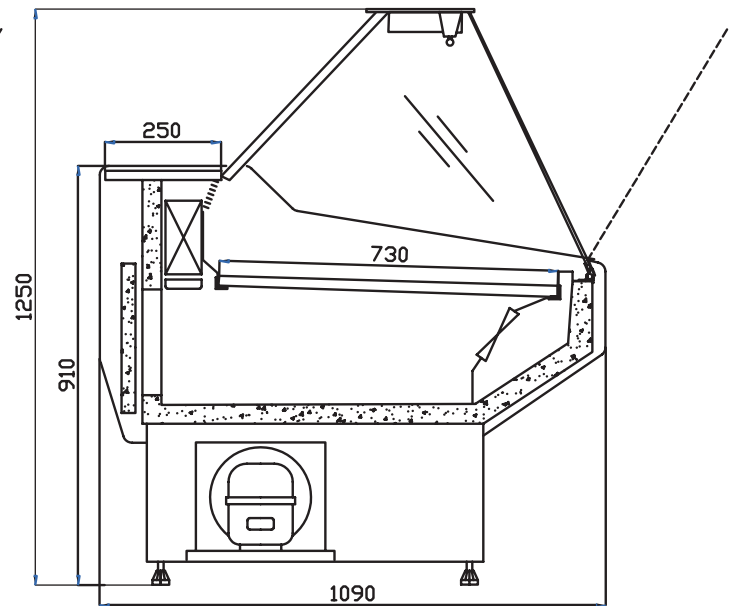
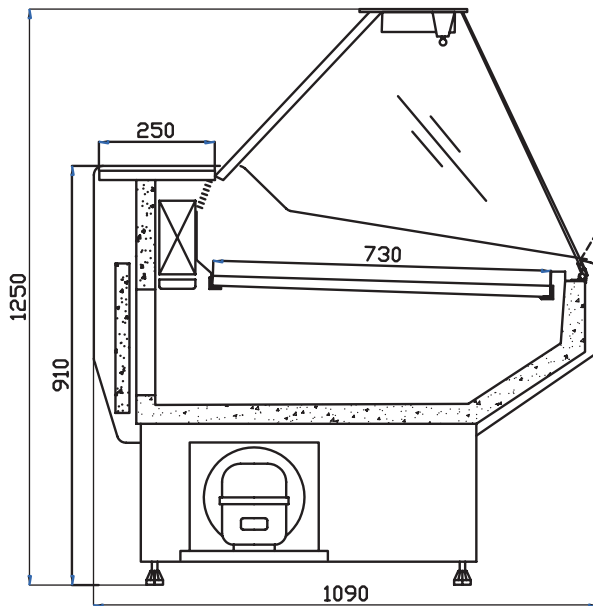
FOR FISH (DRY ICE)
-2°C to +2°C*



FREEZING
od 0°C TO -6°C
od -6°C TO -12°C



FOR SELF-SERVICE
(short glass – SELF)



MODULES

SYMBOL	LENGTH INCLUDING SIDES** [mm]	DISPLAY AREA [m ²]	UNIT	WEIGHT [kg]
W-10 S w	1045	0,65	+	124
W-12 S w	1245	0,8	+	135
W-14 S w	1445	0,95	+	142
W-15 S w	1545	1,01	+	149
W-16 S w	1645	1,06	+	156
W-18 S w	1845	1,23	+	170
W-20 S w	2045	1,37	+	183
W-24 S w	2445	1,65	+	203
W-28 S w	2845	1,94	+	225
W-30 S w	3045	2,08	+	251



Cooling capacity requirements at $t_0 = -15^\circ\text{C}$: 450 W/linear meter

*At an ambient temperature of $+25^\circ\text{C}$ and humidity of 60%

**Side thickness 50 mm

VIGO (W-S-W)



www.cold.pl



cold@cold.pl



+48 14 611 11 78

VIGO (W-S-w) NW/NZ-v



STANDARD EQUIPMENT

- Energy-efficient LED lighting
- Storage chambers: made of stainless steel sheet
- Aluminium profiles - silver/gold colour
- Ecological polyurethane foam insulation
- Worktop: granite/acid-resistant stainless steel sheet
- Night curtains
- Electronic internal thermometer
- Electronic temperature controller
- Defrosting: automatic
- Condensate drain to the condensate container
- External case powder-coated to white colour
- Plastic sides (50 mm thick), colour choice (grey/brown)
- Feet for levelling the device



INTERIOR TEMPERATURE RANGE
+2°C TO +8°C*



GRAVITY
/DYNAMIC COOLING



MODULAR
SYSTEM



REFRIGERANT 452A



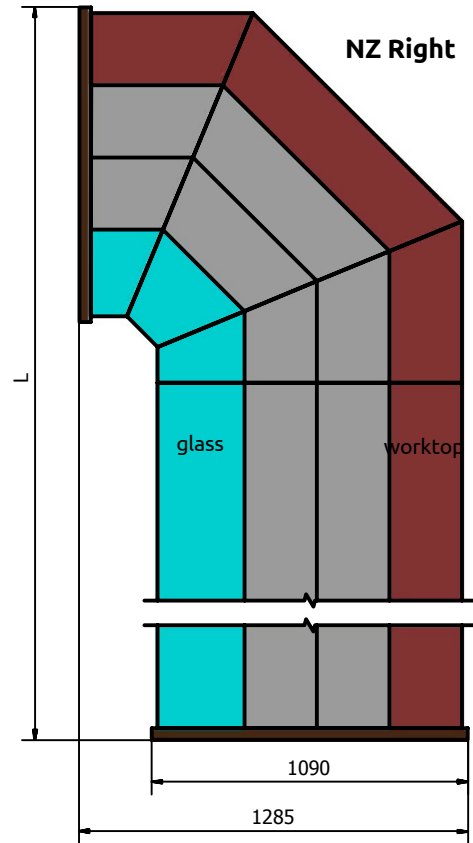
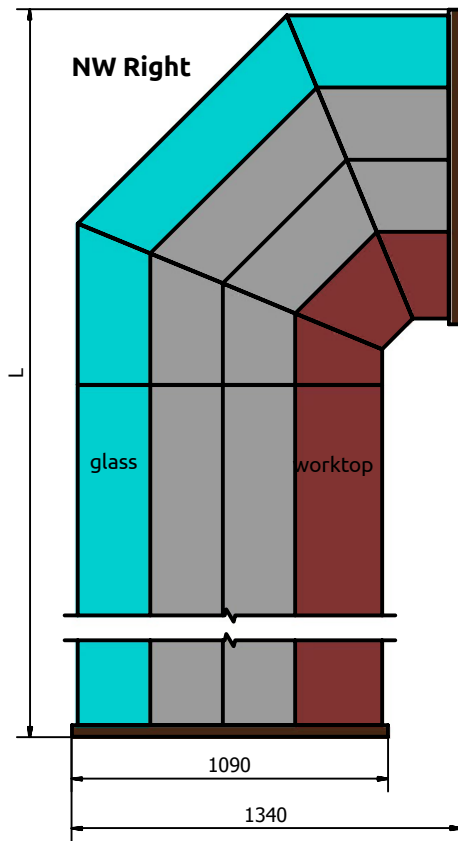
HIGH, STRAIGHT,
TILTABLE FRONT GLASS



ALTERNATIVE VERSIONS



CASH
DESK



MODULES

SYMBOL	LENGTH INCLUDING SIDES** [mm]	DISPLAY AREA [m ²]	UNIT	WEIGHT [kg]
W-12 S NZ w-v	2435	1,65	+	253
W-12 S NW w	2490	1,51	+	254
W-15 S NZ w-v	2735	1,88	+	274
W-15 S NW w	2790	1,71	+	311
W-12 S NZ w B/A-v	2435	1,65	-	233
W-12 S NW w B/A	2490	1,51	-	232
W-15 S NZ w B/A-v	2735	1,88	-	253
W-15 S NW w B/A	2790	1,71	-	291



Cooling capacity requirements at $t_0 = -15^\circ\text{C}$: 450 W/linear meter

*At an ambient temperature of $+25^\circ\text{C}$ and humidity of 60%

**Side thickness 50 mm

VIGO-NW-w/NZ-w (W-S NW-w/NZ-w)



www.cold.pl



cold@cold.pl



+48 14 611 11 78

BRAGA-SG (W-SG)



STANDARD EQUIPMENT


- Energy-efficient LED lighting
- Storage chambers: made of stainless steel sheet
- Aluminium profiles - silver/gold colour
- Ecological polyurethane foam insulation
- Display area made of stainless steel sheet
- Worktop: granite/acid-resistant stainless steel sheet
- Night curtains
- Electronic internal thermometer
- Electronic temperature controller
- Defrosting: automatic
- Condensate drain to the condensate container
- External case powder-coated to white colour
- Plastic sides (50 mm thick), colour choice (grey/brown)
- Feet for levelling the device

 INTERIOR TEMPERATURE RANGE
+2°C TO +8°C*

 GRAVITY COOLING

 MODULAR SYSTEM

 REFRIGERANT 452A

 HIGH, BENT, TILTABLE FRONT GLASS

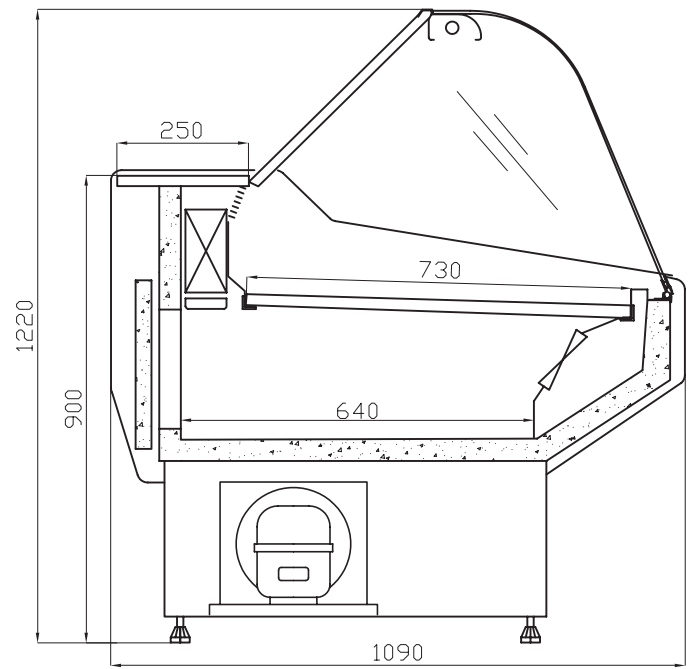
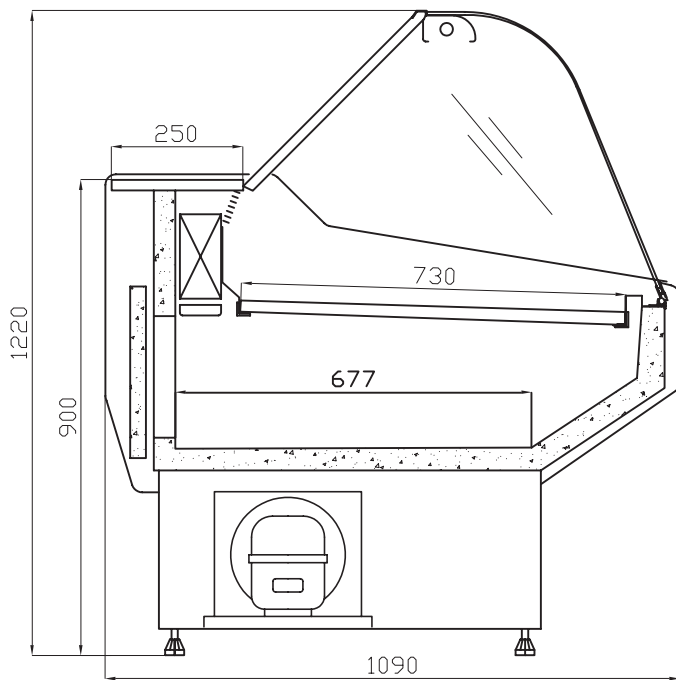
ALTERNATIVE VERSIONS


CASHDESK


FOR FISH (DRY ICE)
-2°C to +2°C*


FREEZING
od 0°C TO -6°C
od -6°C TO -12°C


FOR SELF-SERVICE
(short glass – SELF)



MODULES

SYMBOL	LENGTH INCLUDING SIDES** [mm]	DISPLAY AREA [m ²]	UNIT	WEIGHT [kg]
W-10 SG	1035	0,7	+	127
W-12 SG	1235	0,8	+	136
W-14 SG	1435	0,95	+	141
W-15 SG	1535	0,95	+	148
W-16 SG	1635	1,08	+	154
W-18 SG	1835	1,23	+	179
W-20 SG	2035	1,37	+	191
W-24 SG	2385	1,65	+	210
W-28 SG	2785	1,94	+	234
W-30 SG	2980	2,08	+	269



Cooling capacity requirements at $t_0 = -15^\circ\text{C}$: 450 W/linear meter

*At an ambient temperature of $+25^\circ\text{C}$ and humidity of 60%

**Side thickness 50 mm

BRAGA-SG (W-SG)


www.cold.pl

cold@cold.pl

[+48 14 611 11 78](tel:+48146111178)

BRAGA-SG (W-SG) NW/NZ-V



STANDARD EQUIPMENT

- Energy-efficient LED lighting
- Storage chambers: made of stainless steel sheet
- Aluminium profiles - silver/gold colour
- Ecological polyurethane foam insulation
- Display area made of stainless steel sheet
- Worktop: granite/acid-resistant stainless steel sheet
- Night curtains
- Electronic internal thermometer
- Electronic temperature controller
- Defrosting: automatic
- Condensate drain to the condensate container
- External case powder-coated to white colour
- Plastic sides (50 mm thick), colour choice (grey/brown)
- Feet for levelling the device



INTERIOR TEMPERATURE RANGE
+2°C TO +8°C*



GRAVITY
/DYNAMIC COOLING



MODULAR
SYSTEM



REFRIGERANT 452A



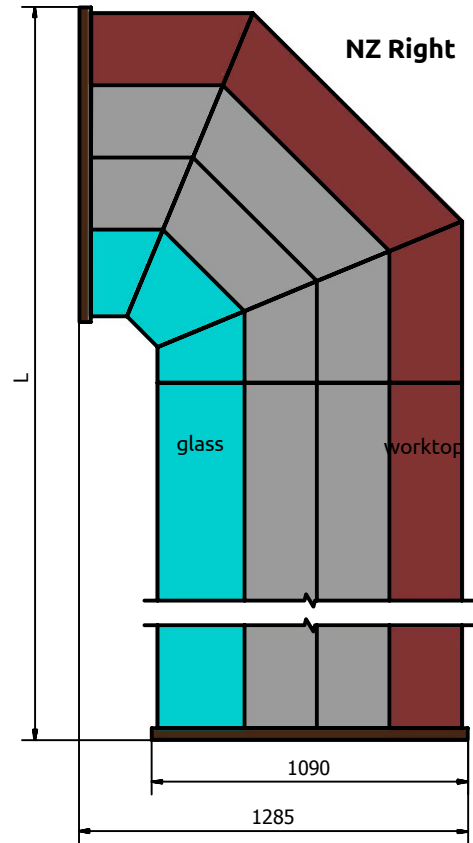
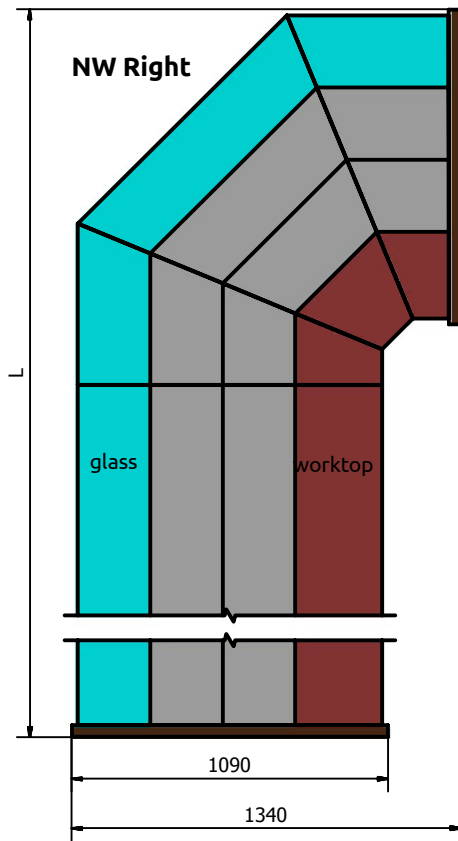
HIGH, BENT,
TILTABLE FRONT GLASS



ALTERNATIVE VERSIONS



CASHDESK



MODULES

SYMBOL	LENGTH INCLUDING SIDES** [mm]	DISPLAY AREA [m ²]	UNIT	WEIGHT [kg]
W-12 SG NZ-v	2435	1,65	+	226
W-12 SG NW	2490	1,51	+	266
W-15 SG NZ-v	2735	1,88	+	246
W-15 SG NW	2790	1,73	+	289
W-12 SG NZ-v B/A	2435	1,65	-	216
W-12 SG NW B/A	2490	1,51	-	250
W-15 SG NZ-v B/A	2735	1,88	-	230
W-15 SG NW B/A	2790	1,73	-	269



Cooling capacity requirements at $t_b = -15^\circ\text{C}$: 450 W/linear meter

*At an ambient temperature of $+25^\circ\text{C}$ and humidity of 60%

**Side thickness 50 mm

BRAGA-SG-NW/NZ (W-SG NW/NZ-V)



www.cold.pl



cold@cold.pl



+48 14 611 11 78

VIGO-SG (W-SG-W)



STANDARD EQUIPMENT

- Energy-efficient LED lighting
- Storage chambers: made of stainless steel sheet
- Aluminium profiles - silver/gold colour
- Ecological polyurethane foam insulation
- Worktop: granite/acid-resistant stainless steel sheet
- Night curtains
- Electronic internal thermometer
- Electronic temperature controller
- Defrosting: automatic
- Condensate drain to the condensate container
- External case powder-coated to white colour
- Plastic sides (50 mm thick), colour choice (grey/brown)
- Feet for levelling the device



INTERIOR TEMPERATURE RANGE
+2°C TO +8°C*



GRAVITY
COOLING



MODULAR
SYSTEM



REFRIGERANT 452A



HIGH, BENT,
TILTABLE FRONT GLASS



ALTERNATIVE VERSIONS



CASHDESK



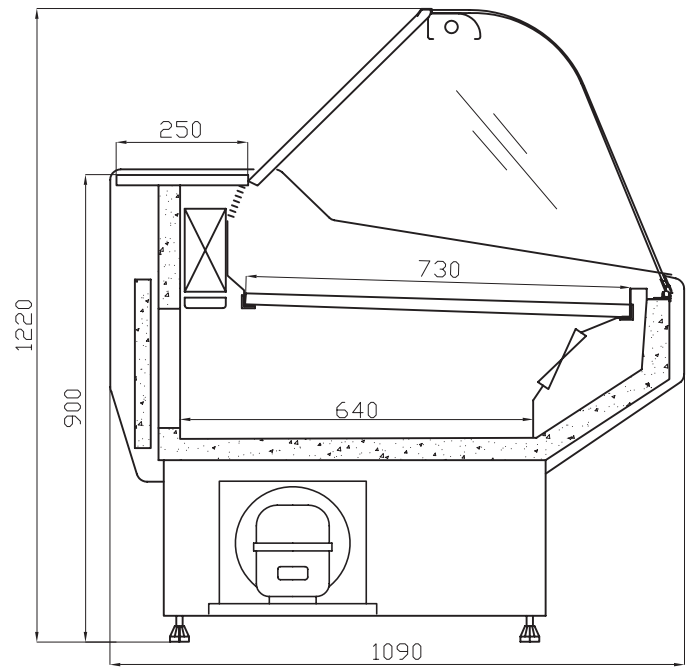
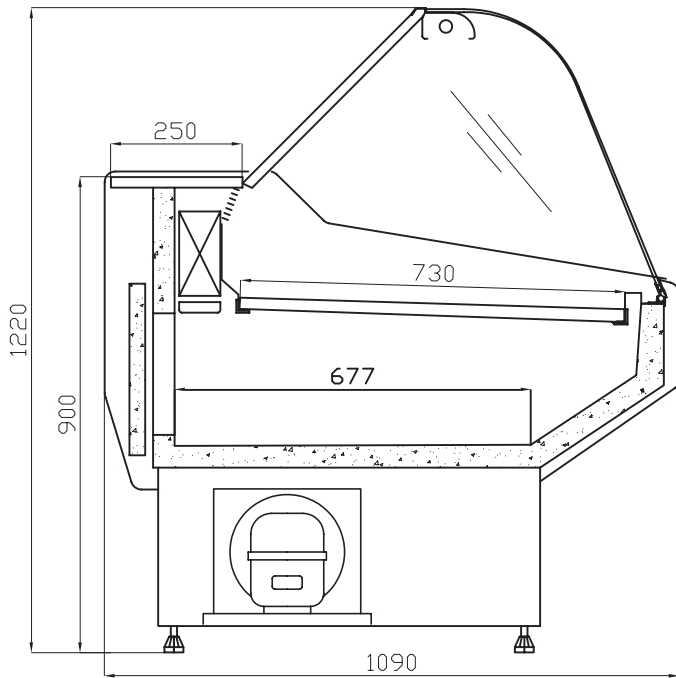
FOR FISH (DRY ICE)
-2°C to +2°C*



FREEZING
od 0°C TO -6°C
od -6°C TO -12°C



FOR SELF-SERVICE
(short glass – SELF)



MODULES

SYMBOL	LENGTH INCLUDING SIDES** [mm]	DISPLAY AREA [m ²]	UNIT	WEIGHT [kg]
W-10 SG-w	1035	0,7	+	133
W-12 SG w	1235	0,8	+	142
W-14 SG w	1435	0,95	+	147
W-15 SG w	1535	1,01	+	154
W-16 SG w	1635	1,08	+	160
W-18 SG w	1835	1,23	+	185
W-20 SG w	2035	1,37	+	197
W-24 SG w	2385	1,65	+	216
W-28 SG w	2785	1,94	+	240
W-30 SG w	2980	2,08	+	275
W-37 SG w	3850	2,45	+	380
W-10 SG w B/A	1035	0,7	-	113
W-12 SG w B/A	1235	0,8	-	122
W-14 SG w B/A	1435	0,95	-	127
W-15 SG w B/A	1535	1,01	-	134
W-16 SG w B/A	1635	1,08	-	140
W-18 SG w B/A	1835	1,23	-	165
W-20 SG w B/A	2035	1,37	-	177
W-24 SG w B/A	2385	1,65	-	196
W-28 SG w B/A	2785	1,94	-	220
W-30 SG w B/A	2980	2,08	-	255
W-37 SG w B/A	3850	2,45	-	360

! Cooling capacity requirements at $t_0 = -15^{\circ}\text{C}$: 450 W/linear meter

*At an ambient temperature of $+25^{\circ}\text{C}$ and humidity of 60%

**Side thickness 50 mm

VIGO-SG (W-SG-W)

VIGO-SG (W-SG-w) NW/NZ-v



STANDARD EQUIPMENT

- Energy-saving refrigerating unit
- Energy-efficient LED lighting
- Storage chambers: made of stainless steel sheet
- Aluminium profiles - silver/gold colour
- Ecological polyurethane foam insulation
- Worktop: granite/acid-resistant stainless steel sheet
- Night curtains
- Electronic internal thermometer
- Electronic temperature controller
- Defrosting: automatic
- Condensate drain to the condensate container
- External case powder-coated to white colour
- Plastic sides (50 mm thick), colour choice (grey/brown)
- Feet for levelling the device



INTERIOR TEMPERATURE RANGE
+2°C TO +8°C*



GRAVITY
/DYNAMIC COOLING



MODULAR
SYSTEM



REFRIGERANT 452A



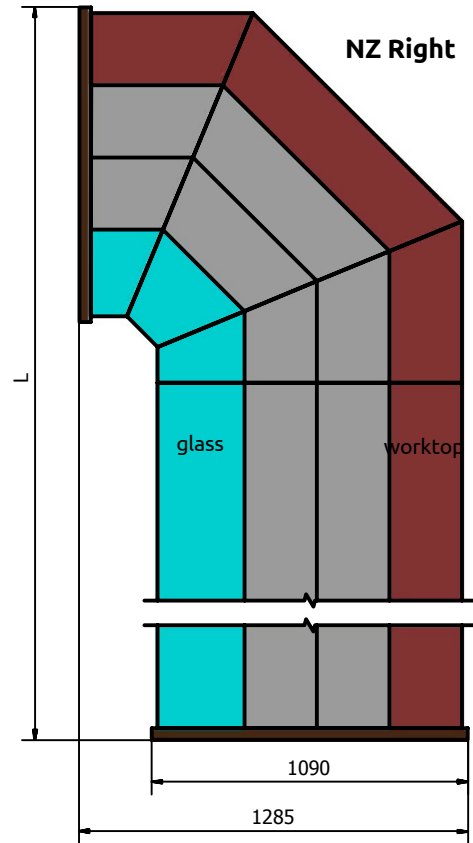
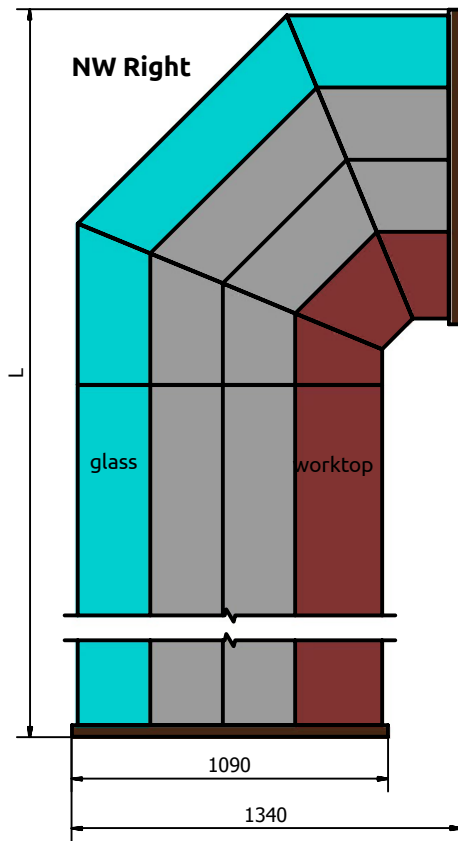
HIGH, BENT,
TILTABLE FRONT GLASS



ALTERNATIVE VERSIONS



CASHDESK



MODULES

SYMBOL	LENGTH INCLUDING SIDES** [mm]	DISPLAY AREA [m ²]	UNIT	WEIGHT [kg]
W-12 SG NZ-v w	2435	1,65	+	231
W-12 SG NW w	2490	1,51	+	271
W-15 SG NZ-v w	2735	2,87	+	252
W-15 SG NW w	2790	1,73	+	295
W-12 SG NZ-v w B/A	2435	1,65	-	221
W-12 SG NW w B/A	2490	1,51	-	256
W-15 SG NZ-v w B/A	2735	2,87	-	236
W-15 SG NW w B/A	2790	1,73	-	275



Cooling capacity requirements at $t_b = -15^\circ\text{C}$: 450 W/linear meter

*At an ambient temperature of $+25^\circ\text{C}$ and humidity of 60%

**Side thickness 50 mm

VIGO-SG-NW/NZ (W-SG NW/NZ W)



www.cold.pl

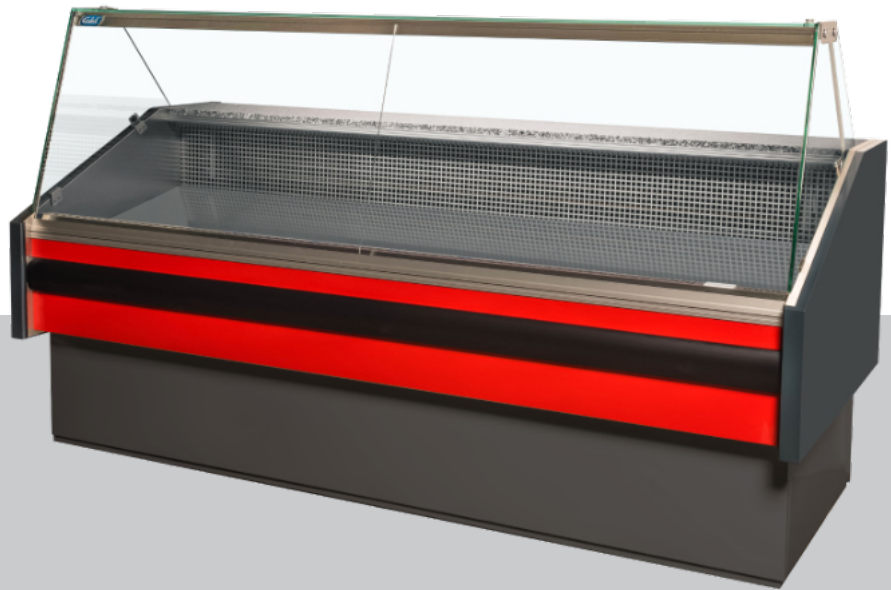


cold@cold.pl



+48 14 611 11 78

ARIZONA



STANDARD EQUIPMENT

- Energy-efficient LED lighting
- Storage chambers: made of stainless steel sheet
- Aluminium profiles - silver/gold colour
- Ecological polyurethane foam insulation
- Worktop: granite/acid-resistant stainless steel sheet
- Night curtains
- Electronic internal thermometer
- Electronic temperature controller
- Defrosting: automatic
- Condensate drain to the condensate container
- External case powder-coated to white colour
- Plastic sides (50 mm thick), colour choice (grey/brown)
- Feet for levelling the device



INTERIOR TEMPERATURE RANGE
+2°C TO +8°C*



GRAVITY
COOLING



MODULAR
SYSTEM



REFRIGERANT 452A



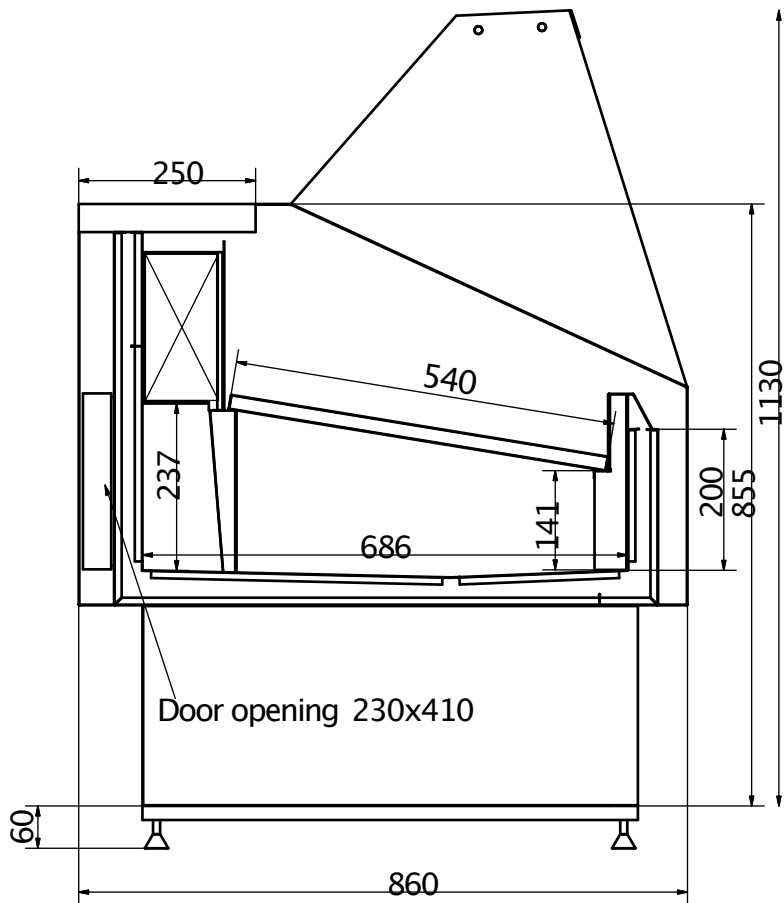
HIGH, STRAIGHT,
TILTABLE FRONT GLASS



ALTERNATIVE VERSIONS



CASHDESK



MODULES

SYMBOL	LENGTH INCLUDING SIDES** [mm]	DISPLAY AREA [m ²]	UNIT	WEIGHT [kg]
W-10 ARIZONA	1035	0,54	+	124
W-12 ARIZONA	1235	0,65	+	135
W-14 ARIZONA	1435	0,76	+	142
W-15 ARIZONA	1535	0,81	+	149
W-16 ARIZONA	1635	0,86	+	156
W-18 ARIZONA	1835	0,97	+	170
W-20 ARIZONA	2035	1,08	+	183
W-24 ARIZONA	2435	1,30	+	203
W-28 ARIZONA	2835	1,51	+	225
W-30 ARIZONA	3035	1,62	+	251



Cooling capacity requirements at $t_0 = -15^\circ\text{C}$: 450 W/linear meter

*At an ambient temperature of $+25^\circ\text{C}$ and humidity of 60%

**Side thickness 45 mm



NEVADA (W-SGS/W-SGSP)



STANDARD EQUIPMENT


- Energy-efficient LED lighting
- Display area made of stainless steel sheet
- Storage chambers: made of stainless steel sheet
- Aluminium profiles - silver/gold colour
- Ecological polyurethane foam insulation
- Worktop: granite/acid-resistant stainless steel sheet
- Night curtains
- Electronic internal thermometer
- Illuminated lower front panel
- Electronic temperature controller
- Defrosting: automatic
- Condensate drain to the condensate container
- External case powder-coated to white colour
- Plastic sides (55 mm thick), colour choice (grey/brown)
- Feet for levelling the device

 INTERIOR TEMPERATURE RANGE
+2°C TO +8°C*

 GRAVITY COOLING

 MODULAR SYSTEM

 REFRIGERANT 452A

 HIGH, BENT, TILTABLE FRONT GLASS

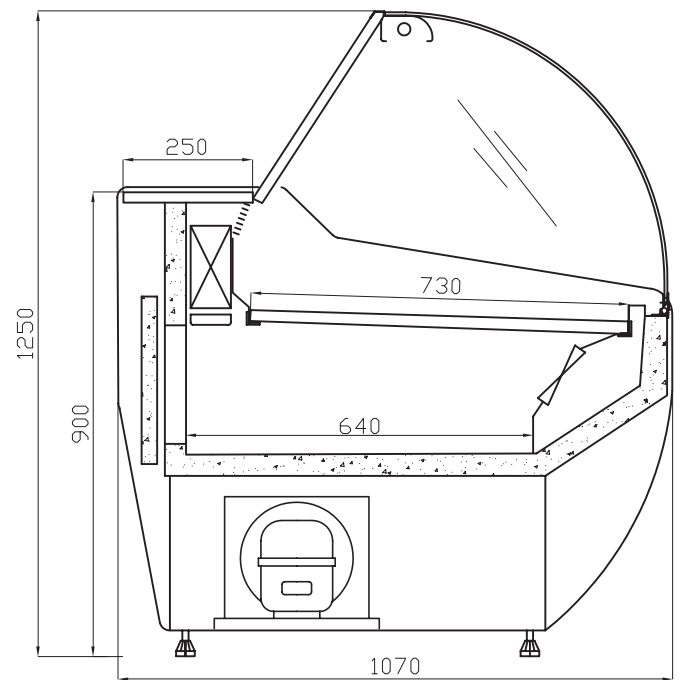
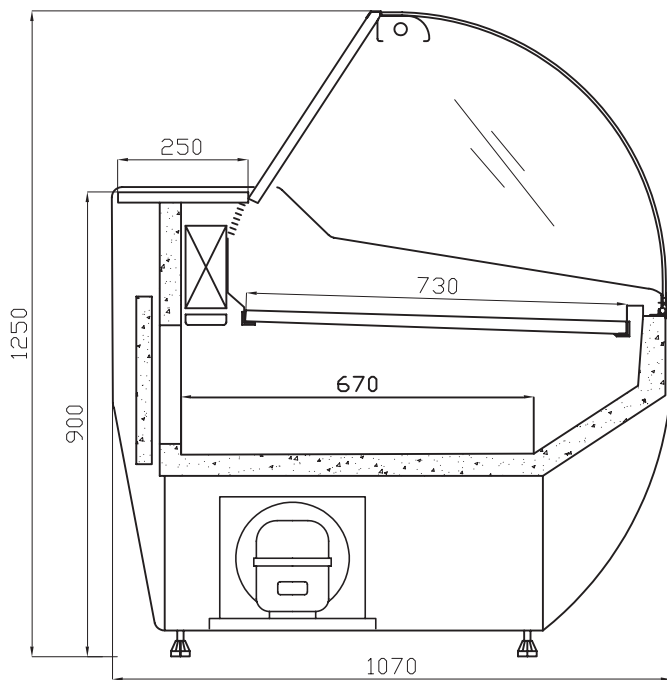
ALTERNATIVE VERSIONS


CASHDESK


FOR FISH (DRY ICE)
-2°C to +2°C*


FREEZING
od 0°C TO -6°C
od -6°C TO -12°C


FOR SELF-SERVICE
(short glass – SELF)



MODULES

SYMBOL	LENGTH INCLUDING SIDES** [mm]	DISPLAY AREA [m ²]	UNIT	WEIGHT [kg]
W-10 SGS/SGSP	1050	0,7	+	135
W-12 SGS/SGSP	1250	0,8	+	143
W-15 SGS/SGSP	1550	1,01	+	164
W-18 SGS/SGSP	1850	1,23	+	191
W-20 SGS/SGSP	2050	1,37	+	204
W-24 SGS/SGSP	2400	1,65	+	224
W-28 SGS/SGSP	2800	1,94	+	254
W-30 SGS/SGSP	3005	2,08	+	284
W-37 SGS/SGSP	3860	2,70	+	360
W-10 SGS/SGSP B/A	1050	0,7	-	115
W-12 SGS/SGSP B/A	1250	0,8	-	123
W-15 SGS/SGSP B/A	1550	1,01	-	144
W-18 SGS/SGSP B/A	1850	1,23	-	171
W-20 SGS/SGSP B/A	2050	1,37	-	184
W-24 SGS/SGSP B/A	2400	1,65	-	204
W-28 SGS/SGSP B/A	2800	1,94	-	214
W-30 SGS/SGSP B/A	3005	2,08	-	264
W-37 SGS/SGSP B/A	3860	2,70	-	325



Cooling capacity requirements at $t_0 = -15^\circ\text{C}$: 450 W/linear meter

*At an ambient temperature of $+25^\circ\text{C}$ and humidity of 60%

**Side thickness 55 mm

NEVADA (W-SGS/W-SGSP)



www.cold.pl



cold@cold.pl



+48 14 611 11 78

NEVADA (W-SGSP) NW/NZ



STANDARD EQUIPMENT

- Energy-efficient LED lighting
- Display area made of stainless steel sheet
- Storage chambers: made of stainless steel sheet
- Aluminium profiles - silver/gold colour
- Ecological polyurethane foam insulation
- Worktop: granite/acid-resistant stainless steel sheet
- Night curtains
- Electronic internal thermometer
- Illuminated lower front panel
- Electronic temperature controller
- Defrosting: automatic
- Condensate drain to the condensate container
- External case powder-coated to white colour
- Plastic sides (50 mm thick), colour choice (grey/brown)
- Feet for levelling the device



INTERIOR TEMPERATURE RANGE
+2°C TO +8°C*



DYNAMIC
COOLING



MODULAR
SYSTEM



REFRIGERANT 452A



HIGH, BENT,
TILTABLE FRONT GLASS



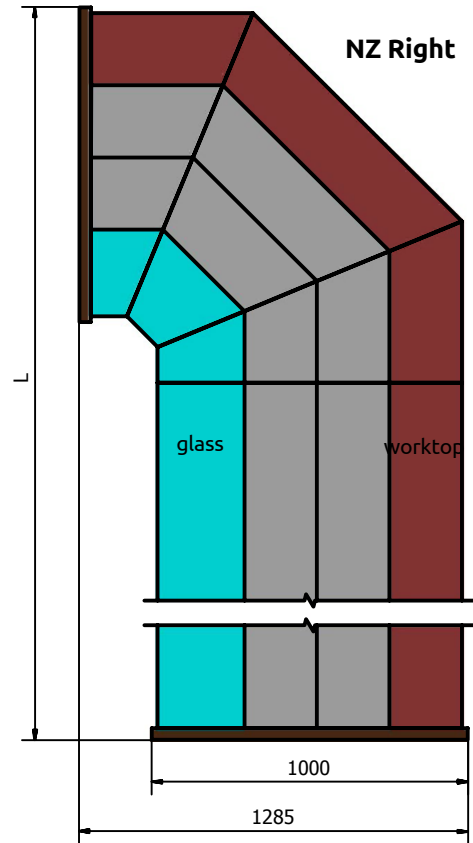
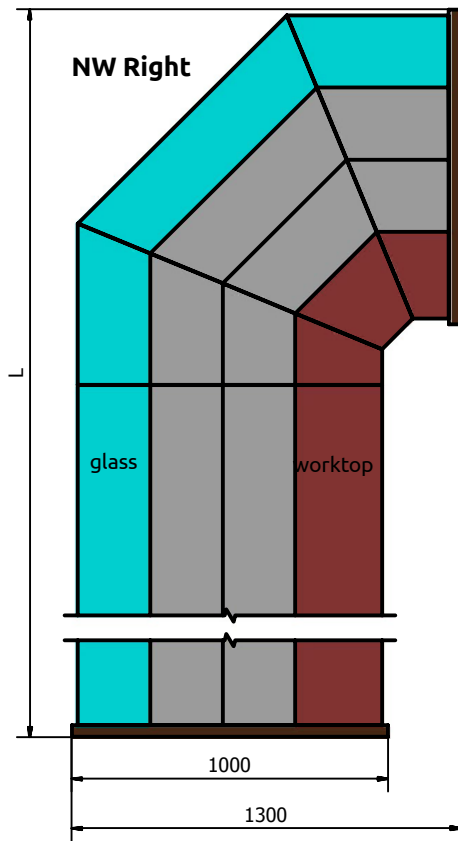
ALTERNATIVE VERSIONS



CASHDESK



FOR SELF-SERVICE
(short glass – SELF)



MODULES

SYMBOL	LENGTH INCLUDING SIDES** [mm]	DISPLAY AREA [m ²]	UNIT	WEIGHT [kg]
W-12 SGSP NZ-v	2435	1,65	+	244
W-12 SGSP NW	2490	1,51	+	246
W-15 SGSP NZ-v	2735	1,88	+	276
W-15 SGSP NW	2790	1,73	+	314
W-12 SGSP NZ B/A-v	2435	1,65	-	224
W-12 SGSP NW B/A	2490	1,51	-	226
W-15 SGSP NZ B/A-v	2735	1,88	-	256
W-15 SGSP NW B/A	2790	1,73	-	294



Cooling capacity requirements at $t_0 = -15^{\circ}\text{C}$: 450 W/linear meter

*At an ambient temperature of $+25^{\circ}\text{C}$ and humidity of 60%

**Side thickness 55 mm

NEVADA NW/NZ (W-SGSP NW/NZ)



www.cold.pl

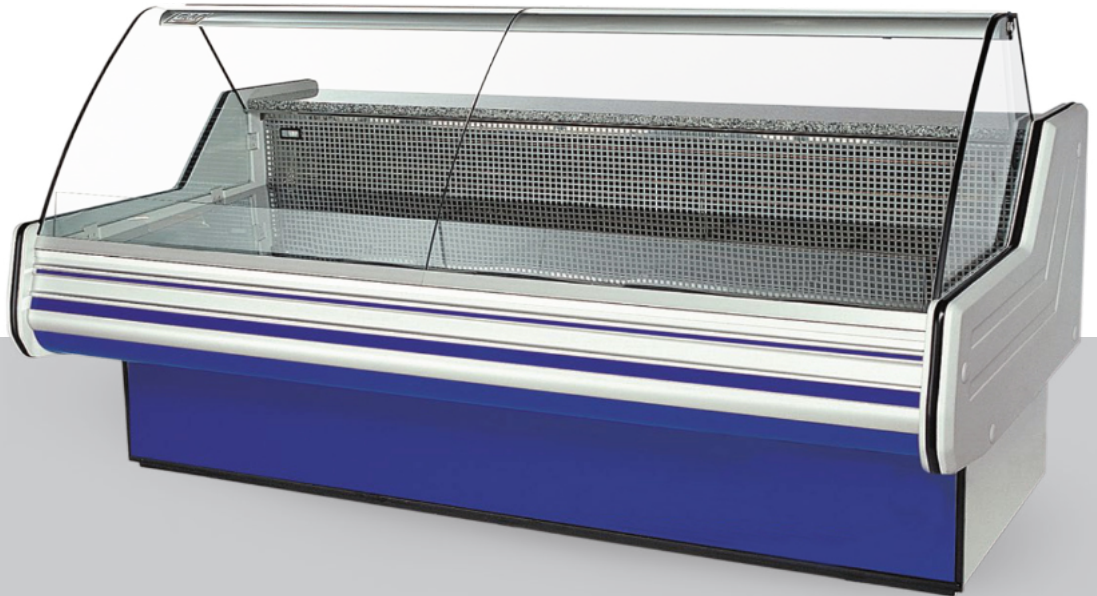


cold@cold.pl



+48 14 611 11 78

NAPOLI (W-N)



STANDARD EQUIPMENT

- Energy-efficient LED lighting
- Storage chambers: made of stainless steel sheet
- Display area made of stainless steel sheet
- Aluminium profiles - silver/gold colour
- Ecological polyurethane foam insulation
- Worktop: granite/acid-resistant stainless steel sheet
- Night curtains
- Electronic internal thermometer
- Electronic temperature controller
- Defrosting: automatic
- Condensate drain to the condensate container
- External case powder-coated to white colour
- Plastic sides (50 mm thick), colour choice (grey/brown)
- Feet for levelling the device



INTERIOR TEMPERATURE RANGE
+2°C TO +8°C*



GRAVITY
COOLING



MODULAR
SYSTEM



REFRIGERANT 452A



HIGH, BENT,
TILTABLE FRONT GLASS



ALTERNATIVE VERSIONS



CASHDESK



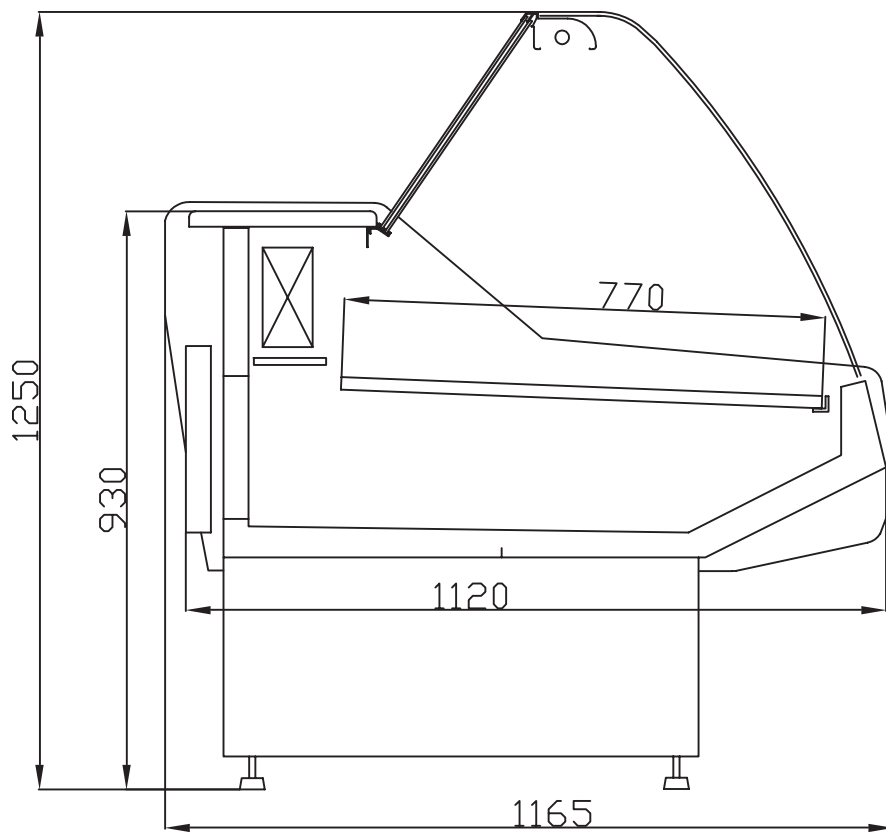
FOR FISH (DRY ICE)
-2°C to +2°C*



FREEZING
od 0°C TO -6°C
od -6°C TO -12°C



FOR SELF-SERVICE
(short glass - SELF)



MODULES

SYMBOL	LENGTH INCLUDING SIDES** [mm]	DISPLAY AREA [m ²]	UNIT	WEIGHT [kg]
W-10 N	1055	0,77	+	130
W-12 N	1255	0,87	+	147
W-15 N	1555	1,11	+	175
W-18 N	1855	1,33	+	211
W-20 N	2055	1,51	+	225
W-24 N	2400	1,80	+	264
W-28 N	2800	2,08	+	295
W-30 N	3005	2,25	+	350
W-37 N	3850	2,90	+	423
W-10 NB/A	1055	0,77	-	110
W-12 NB/A	1255	0,87	-	127
W-15 NB/A	1555	1,11	-	155
W-18 NB/A	1855	1,33	-	191
W-20 NB/A	2055	1,51	-	205
W-24 NB/A	2400	1,80	-	244
W-28 NB/A	2800	2,08	-	275
W-30 NB/A	3005	2,25	-	330
W-37 NB/A	3850	2,90	-	400



Cooling capacity requirements at $t_0 = -15^{\circ}\text{C}$: 450 W/linear meter

*At an ambient temperature of $+25^{\circ}\text{C}$ and humidity of 60%

**Side thickness 50 mm

NAPOLI (W-N)



www.cold.pl



cold@cold.pl



+48 14 611 11 78

NAPOLI (W-N) NW/NZ-V



STANDARD EQUIPMENT

- Energy-efficient LED lighting
- Storage chambers: made of stainless steel sheet
- Display area made of stainless steel sheet
- Aluminium profiles - silver/gold colour
- Ecological polyurethane foam insulation
- Worktop: granite/acid-resistant stainless steel sheet
- Night curtains
- Electronic internal thermometer
- Electronic temperature controller
- Defrosting: automatic
- Condensate drain to the condensate container
- External case powder-coated to white colour
- Plastic sides (50 mm thick), colour choice (grey/brown)
- Feet for levelling the device



INTERIOR TEMPERATURE RANGE
+2°C TO +8°C*



GRAVITY
/DYNAMIC COOLING



MODULAR
SYSTEM



REFRIGERANT 452A



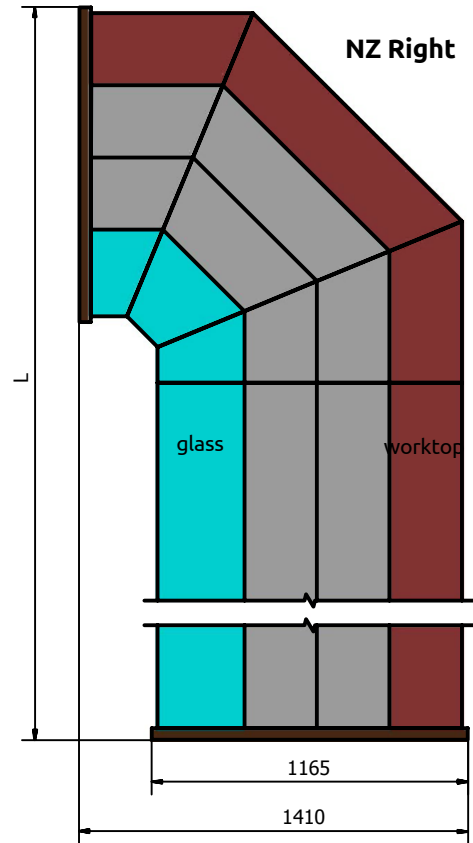
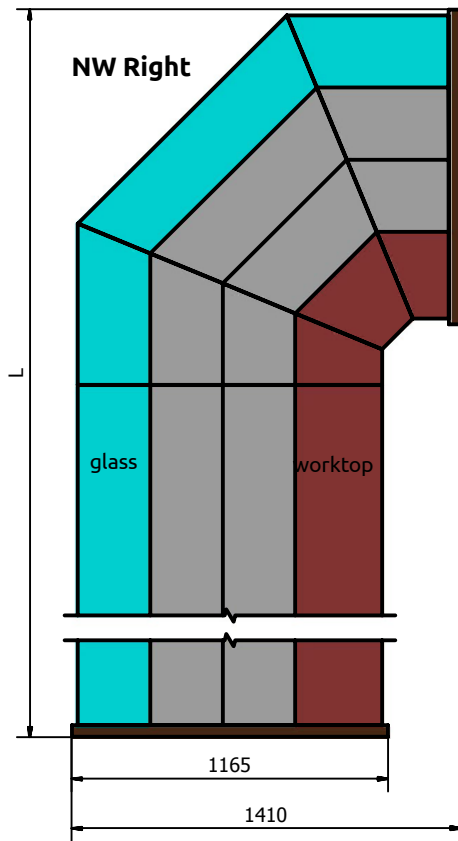
HIGH, BENT,
TILTABLE FRONT GLASS



ALTERNATIVE VERSIONS



CASHDESK



MODULES

SYMBOL	LENGTH INCLUDING SIDES** [mm]	DISPLAY AREA [m ²]	UNIT	WEIGHT [kg]
W-12 N NW	2445	1,65	+	284
W-12 N NZ-v	2445	1,84	+	258
W-15 N NW	2745	1,88	+	294
W-15 N NZ-v	2745	2,08	+	288
W-12 N NW B/A	2445	1,65	-	264
W-12 N NZv B/A	2445	1,84	-	238
W-15 N NW B/A	2745	1,88	-	274
W-15 N NZv B/A	2745	2,08	-	268



Cooling capacity requirements at $t_0 = -15^{\circ}\text{C}$: 450 W/linear meter

*At an ambient temperature of $+25^{\circ}\text{C}$ and humidity of 60%

**Side thickness 50 mm

NAPOLI (W-N)



www.cold.pl

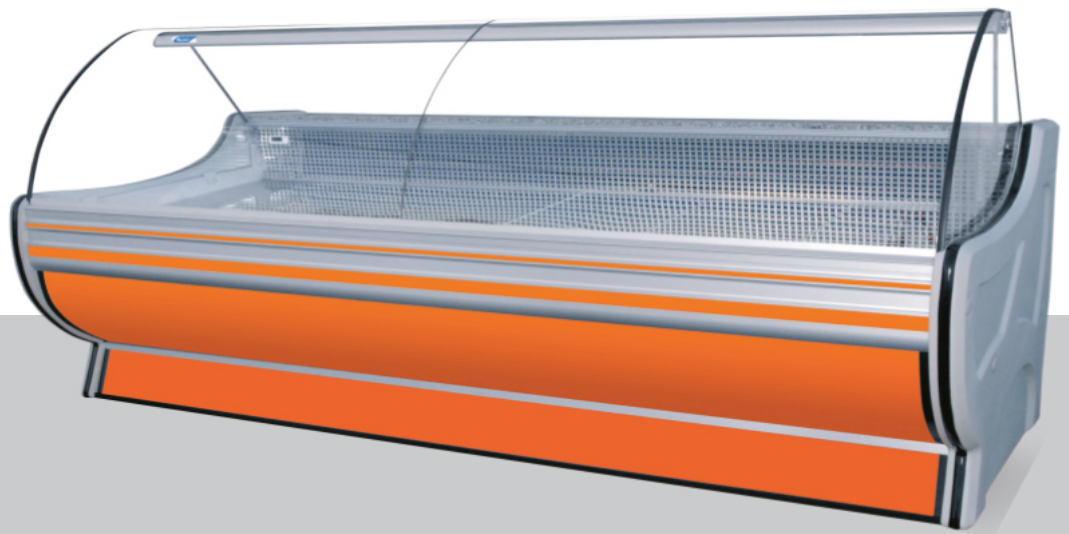


cold@cold.pl



+48 14 611 11 78

RODA (W-G)



STANDARD EQUIPMENT


- Energy-efficient LED lighting
- Storage chambers: made of stainless steel sheet
- Aluminium profiles - silver/gold colour
- Ecological polyurethane foam insulation
- Worktop: granite/acid-resistant stainless steel sheet
- Night curtains
- Electronic internal thermometer
- Electronic temperature controller
- Defrosting: automatic
- Condensate drain to the condensate container
- External case powder-coated to white colour
- Plastic sides (55 mm thick), colour choice (grey/brown)
- Feet for levelling the device

 INTERIOR TEMPERATURE RANGE
+2°C TO +8°C*

 GRAVITY COOLING

 MODULAR SYSTEM

 REFRIGERANT 452A

 HIGH, BENT, TILTABLE FRONT GLASS

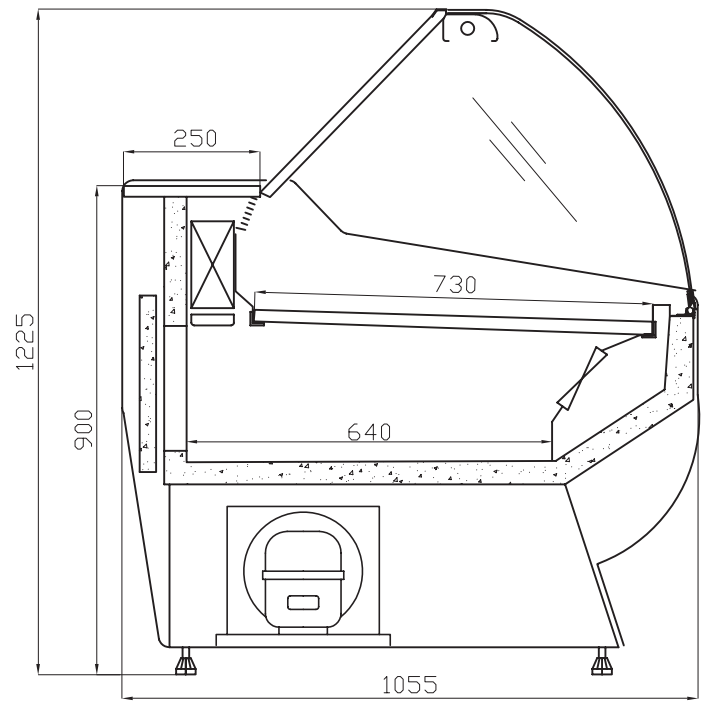
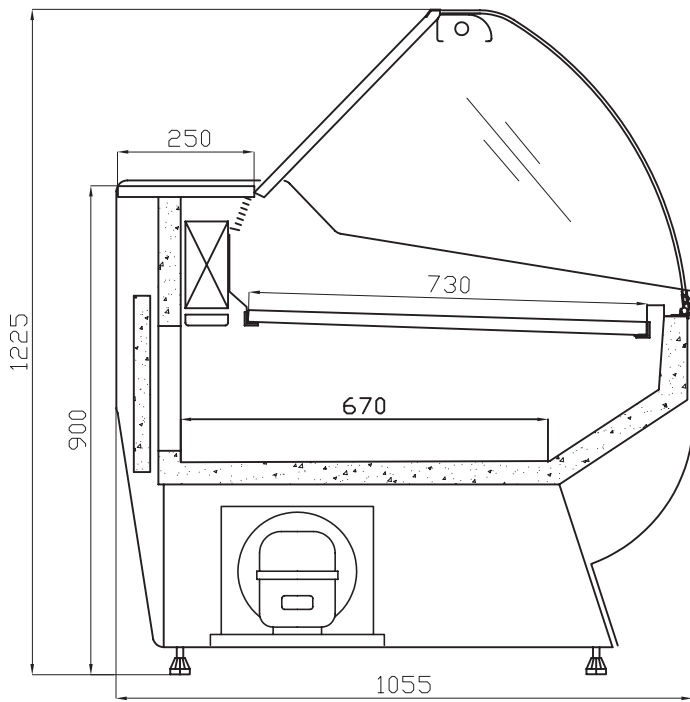
ALTERNATIVE VERSIONS


CASHDESK


FOR FISH (DRY ICE)
-2°C to +2°C*


FREEZING
od 0°C TO -6°C
od -6°C TO -12°C


FOR SELF-SERVICE
(short glass – SELF)



MODULES

SYMBOL	LENGTH INCLUDING SIDES** [mm]	DISPLAY AREA [m ²]	UNIT	WEIGHT [kg]
W-10 G	1045	0,65	+	125
W-12 G	1245	0,8	+	138
W-14 G	1445	0,95	+	157
W-15 G	1545	1,01	+	167
W-16 G	1645	1,06	+	173
W-18 G	1845	1,23	+	188
W-20 G	2045	1,37	+	201
W-24 G	2445	1,65	+	240
W-28 G	2845	1,94	+	280
W-30 G	3045	2,08	+	300
W-37 G	3860	2,74	+	380
W-10 G b/a	1045	0,65	-	105
W-12 G b/a	1245	0,8	-	118
W-14 G b/a	1445	0,95	-	137
W-15 G b/a	1545	1,01	-	147
W-16 G b/a	1645	1,06	-	153
W-18 G b/a	1845	1,23	-	168
W-20 G b/a	2045	1,37	-	181
W-24 G b/a	2445	1,65	-	220
W-28 G b/a	2845	1,94	-	260
W-30 G b/a	3045	2,08	-	280
W-37 G b/a	3860	2,74	-	360



Cooling capacity requirements at $t_0 = -15^{\circ}\text{C}$: 450 W/linear meter

*At an ambient temperature of $+25^{\circ}\text{C}$ and humidity of 60%

**Side thickness 55 mm

RODA (W-G)



www.cold.pl



cold@cold.pl



+48 14 611 11 78

RODA LUX (W-G LUX)



STANDARD EQUIPMENT

- Energy-saving refrigerating unit
- Energy-efficient LED lighting
- Storage chambers: made of stainless steel sheet
- Aluminium profiles - silver/gold colour
- Ecological polyurethane foam insulation
- Worktop: granite/acid-resistant stainless steel sheet
- Night curtains
- Electronic internal thermometer
- Electronic temperature controller
- Defrosting: automatic
- Condensate drain to the condensate container
- External case powder-coated to white colour
- Sides made of sheet metal (thickness 41mm), powder-coated RAL
- Feet for levelling the device

 INTERIOR TEMPERATURE RANGE
+2°C TO +8°C*

 GRAVITY COOLING

 MODULAR SYSTEM

 REFRIGERANT 452A

 HIGH, BENT, TILTABLE FRONT GLASS

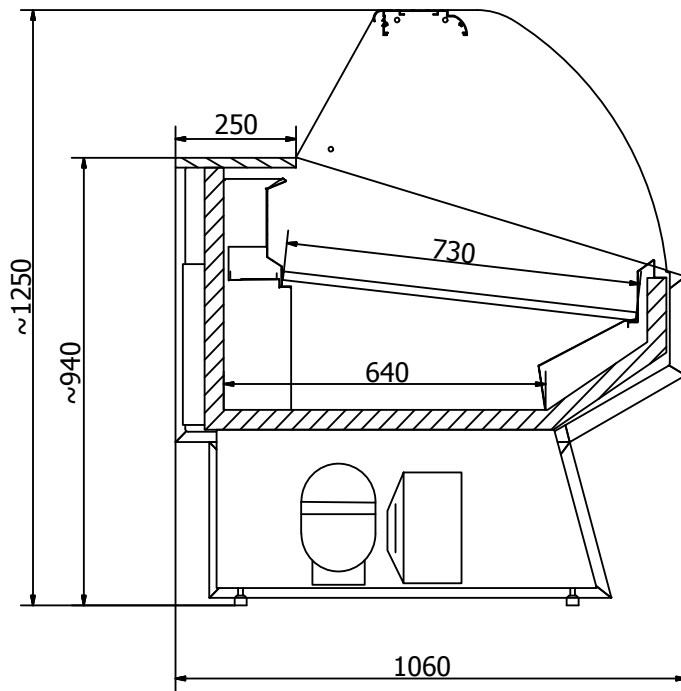
ALTERNATIVE VERSIONS


CASHDESK


FOR FISH (DRY ICE)
-2°C to +2°C*


FREEZING
od 0°C TO -6°C
od -6°C TO -12°C


FOR SELF-SERVICE
(short glass – SELF)



 MODULES

SYMBOL	LENGTH INCLUDING SIDES** [mm]	DISPLAY AREA [m ²]	UNIT	WEIGHT [kg]
W-10 G LUX	1052	0,71	+	125
W-12 G LUX	1221	0,83	+	138
W-15 G LUX	1521	1,05	+	157
W-18 G LUX	1821	1,27	+	188
W-20 G LUX	2021	1,42	+	201
W-24 G LUX	2372	1,67	+	240
W-28 G LUX	2770	1,96	+	280
W-30 G LUX	2970	2,11	+	300
W-37 G LUX	3832	2,74	+	360
W-10 G LUX B/A	1052	0,71	-	105
W-12 G LUX B/A	1221	0,83	-	118
W-15 G LUX B/A	1521	1,05	-	147
W-18 G LUX B/A	1821	1,27	-	168
W-20 G LUX B/A	2021	1,42	-	181
W-24 G LUX B/A	2372	1,67	-	200
W-28 G LUX B/A	2770	1,96	-	240
W-30 G LUX B/A	2970	2,11	-	260
W-37 G LUX B/A	3832	2,74	-	340



Cooling capacity requirements at $t_c = -15^\circ\text{C}$ 450 W/linear meter

*At an ambient temperature of $+25^\circ\text{C}$ and humidity of 60%

**Side thickness 41mm

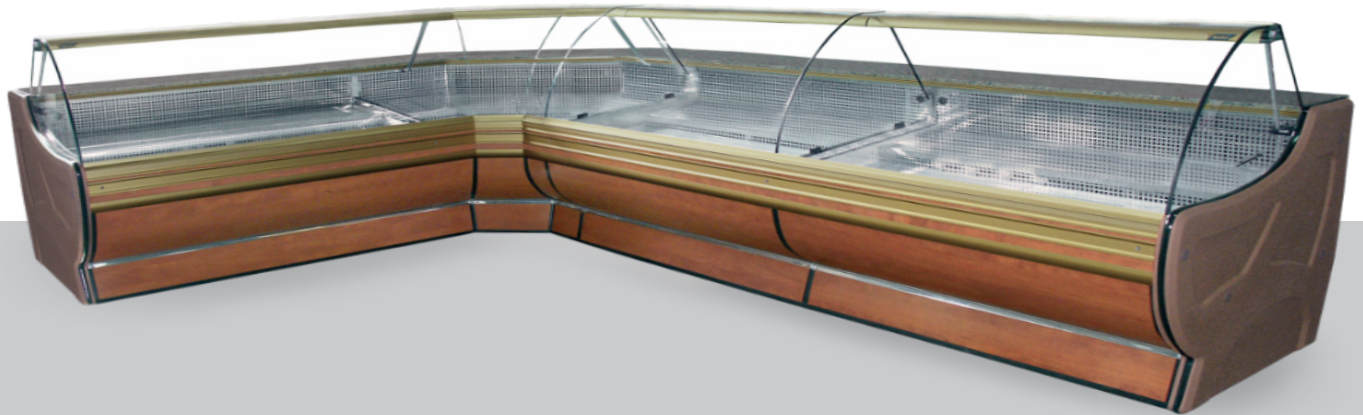
RODA LUX(W-G LUX)

www.cold.pl

cold@cold.pl


+48 14 611 11 78

RODA (W-G) NW/NZ-V



STANDARD EQUIPMENT

- Energy-efficient LED lighting
- Storage chambers: made of stainless steel sheet
- Aluminium profiles - silver/gold colour
- Ecological polyurethane foam insulation
- Display area made of stainless steel sheet
- Worktop: granite/acid-resistant stainless steel sheet
- Night curtains
- Electronic internal thermometer
- Electronic temperature controller
- Defrosting: automatic
- Condensate drain to the condensate container
- External case powder-coated to white colour
- Plastic sides (55 mm thick), colour choice (grey/brown)
- Feet for levelling the device



INTERIOR TEMPERATURE RANGE
+2°C TO +8°C*



GRAVITY
/DYNAMIC COOLING



MODULAR
SYSTEM



REFRIGERANT 452A



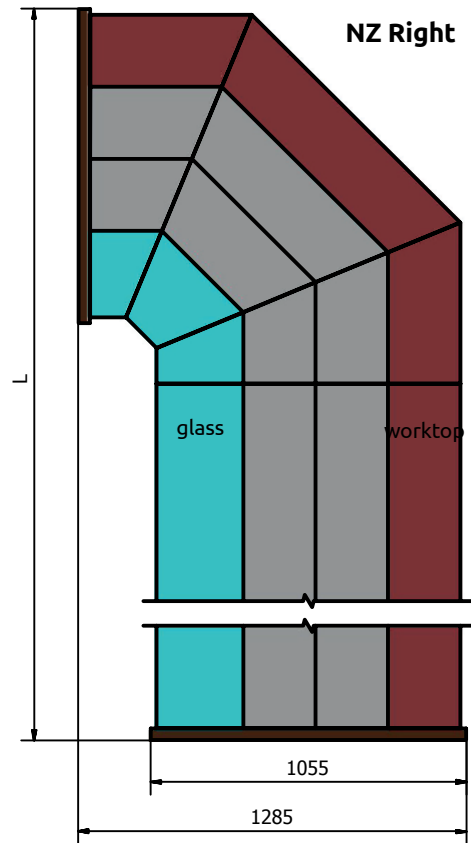
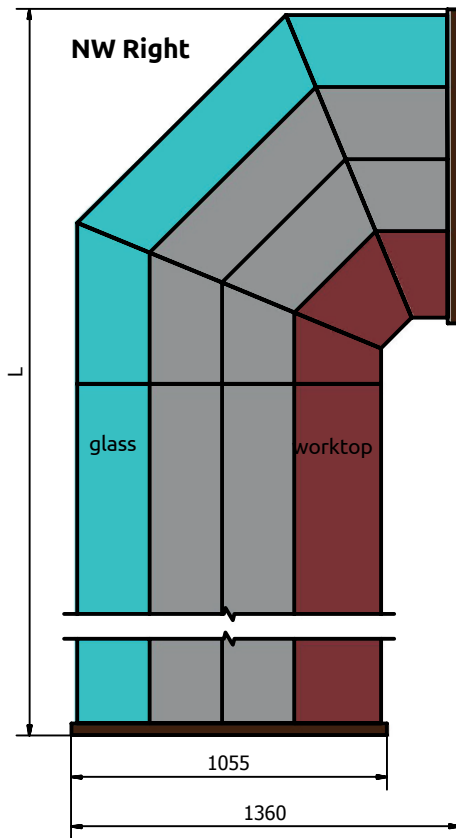
HIGH, BENT,
TILTABLE FRONT GLASS



ALTERNATIVE VERSIONS



CASHDESK



MODULES

SYMBOL	LENGTH INCLUDING SIDES** [mm]	DISPLAY AREA [m ²]	UNIT	WEIGHT [kg]
W-12 G NZ-v	2430	1,65	+	244
W-12 G NW	2505	1,51	+	246
W-15 G NZ-v	2730	1,88	+	276
W-15 G NW	2805	1,73	+	314
W-12 G NZ B/A-v	2430	1,65	-	224
W-12 G NW B/A	2505	1,51	-	226
W-15 G NZ B/A-v	2730	1,88	-	256
W-15 G NW B/A	2805	1,73	-	294



Cooling capacity requirements at $t_0 = -15^{\circ}\text{C}$: 450 W/linear meter

*At an ambient temperature of $+25^{\circ}\text{C}$ and humidity of 60%

**Side thickness 55 mm

RODA NW/NZ (WG NW/NZ-V)



www.cold.pl



cold@cold.pl



+48 14 611 11 78

HAMBURG (W-NG)



STANDARD EQUIPMENT

- Energy-saving refrigerating unit
- Energy-efficient LED lighting
- Storage chambers: made of stainless steel sheet
- Display area made of acid-resistant stainless steel sheet
- Aluminium profiles - silver/gold colour
- Ecological polyurethane foam insulation
- Worktop: granite/acid-resistant stainless steel sheet
- Night curtains
- Electronic internal thermometer
- Electronic temperature controller
- Defrosting: automatic
- Condensate drain to the condensate container
- External case powder-coated to white colour
- Plastic sides (55 mm thick), colour choice (grey/brown)
- Feet for levelling the device



INTERIOR TEMPERATURE RANGE
+2°C TO +8°C*



GRAVITY
COOLING



MODULAR
SYSTEM



REFRIGERANT 452A



HIGH, BENT,
TILTABLE FRONT GLASS



ALTERNATIVE VERSIONS



CASHDESK



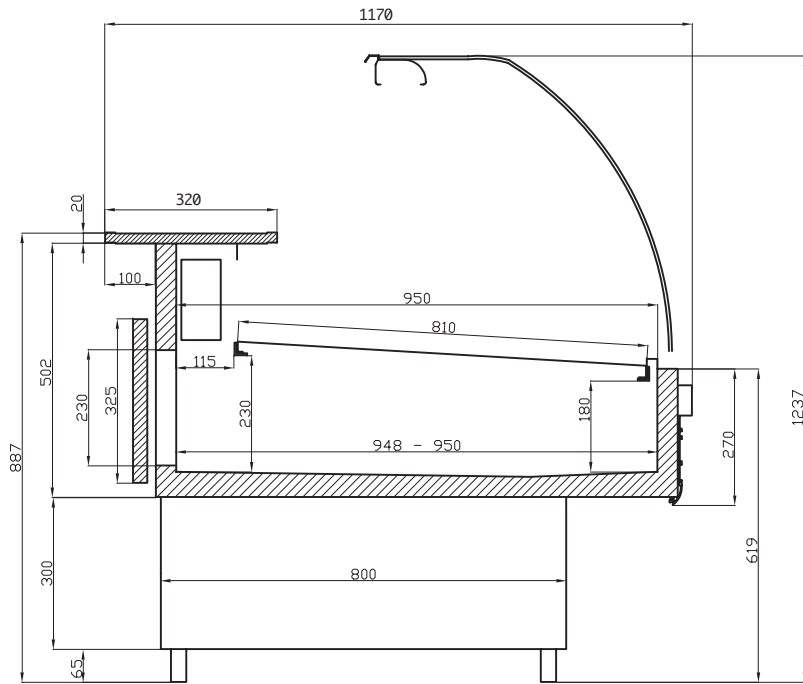
FOR FISH (DRY ICE)
-2°C to +2°C*



FREEZING
od 0°C TO -6°C
od -6°C TO -12°C



FOR SELF-SERVICE
(short glass – SELF)



MODULES

SYMBOL	LENGTH INCLUDING SIDES** [mm]	DISPLAY AREA [m ²]	UNIT	WEIGHT [kg]
W-10 NG	1080	0,85	+	135
W-12 NG	1280	0,95	+	152
W-15 NG	1580	1,23	+	180
W-18 NG	1880	1,42	+	216
W-20 NG	2080	1,51	+	230
W-24 NG	2420	1,94	+	269
W-28 NG	2820	2,25	+	300
W-30 NG	3020	2,39	+	353
W-37 NG	3860	2,87	+	420
W-10 NG B/A	1080	0,85	-	115
W-12 NG B/A	1280	0,95	-	132
W-15 NG B/A	1580	1,23	-	160
W-18 NG B/A	1880	1,42	-	196
W-20 NG B/A	2080	1,51	-	210
W-24 NG B/A	2420	1,94	-	249
W-28 NG B/A	2820	2,25	-	280
W-30 NG B/A	3020	2,39	-	333
W-37 NG B/A	3860	2,87	-	370



Cooling capacity requirements at $t_0 = -15\text{ }^\circ\text{C}$: 400 W/linear meter

*At an ambient temperature of +25°C and humidity of 60%

**Side thickness 55 mm

HAMBURG (NG)



www.cold.pl

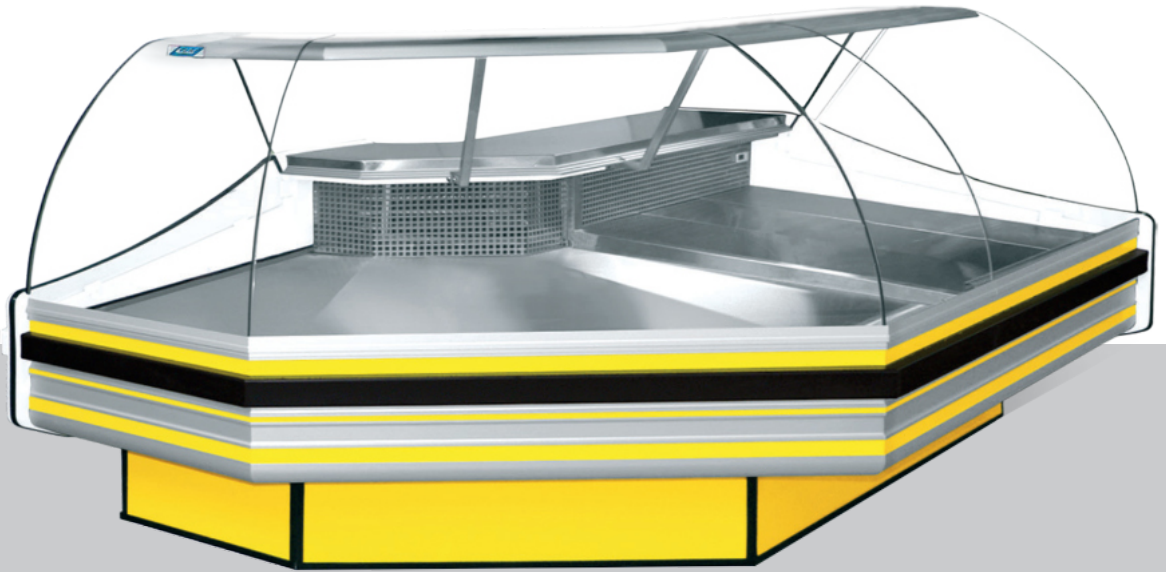


cold@cold.pl



+48 14 611 11 78

HAMBURG (W-NG) NW/NZ



STANDARD EQUIPMENT

- Energy-efficient LED lighting
- Storage chambers: made of stainless steel sheet
- Display area made of acid-resistant stainless steel sheet
- Aluminium profiles - silver/gold colour
- Ecological polyurethane foam insulation
- Worktop: granite/acid-resistant stainless steel sheet
- Night curtains
- Electronic internal thermometer
- Electronic temperature controller
- Defrosting: automatic
- Condensate drain to the condensate container
- External case powder-coated to white colour
- Plastic sides (55 mm thick), colour choice (grey/brown)
- Feet for levelling the device



INTERIOR TEMPERATURE RANGE
+2°C TO +8°C*



GRAVITY
/DYNAMIC COOLING



MODULAR
SYSTEM



REFRIGERANT 452A



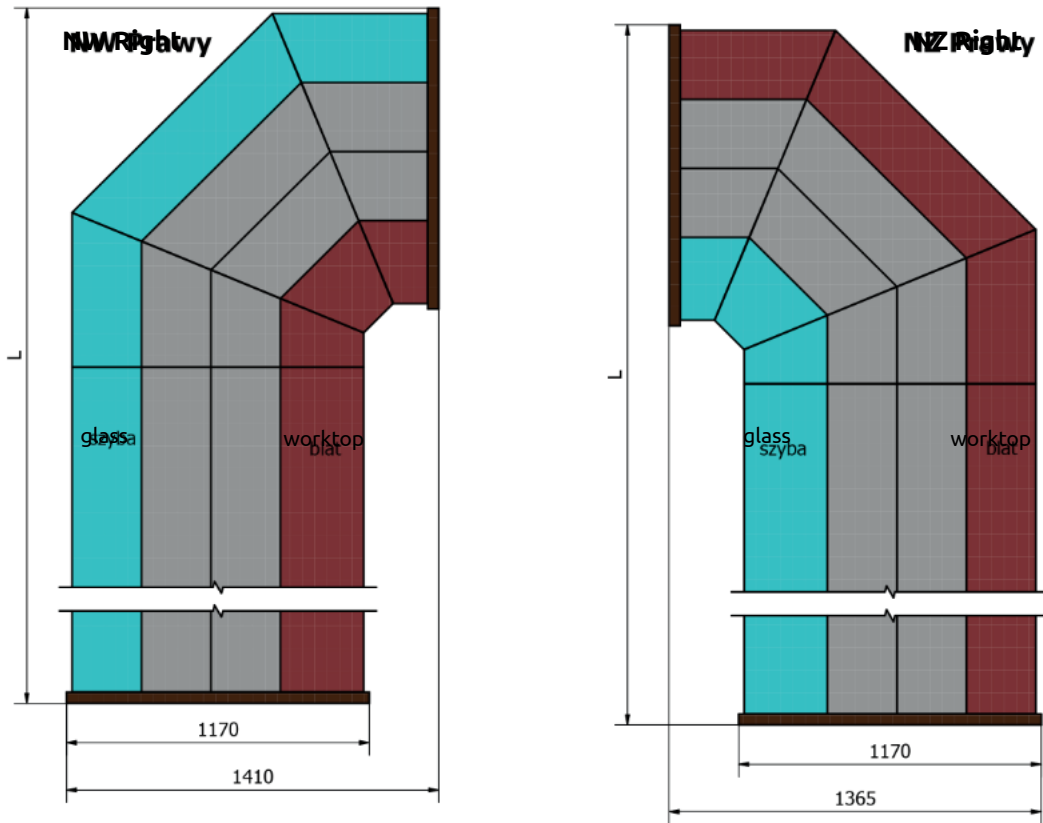
HIGH, BENT,
TILTABLE FRONT GLASS



ALTERNATIVE VERSIONS



CASHDESK



MODULES

SYMBOL	LENGTH INCLUDING SIDES** [mm]	DISPLAY AREA [m ²]	UNIT	WEIGHT [kg]
W-12 NG NW	2550	1,75	+	289
W-12 NG NZ-v	2550	1,99	+	263
W-15 NG NW	2850	1,99	+	299
W-15 NG NZ-v	2850	2,23	+	293
W-12 NG NW B/A	2550	1,75	-	269
W-12 NG NZ B/A-v	2550	1,99	-	243
W-15 NG NW B/A	2850	1,99	-	279
W-15 NG NZ B/A-v	2850	2,23	-	273



Cooling capacity requirements at $t_v = -15^\circ\text{C}$: 450 W/linear meter

*At an ambient temperature of $+25^\circ\text{C}$ and humidity of 60%

**Side thickness 55 mm

HAMBURG NW/NZ (NG-NW/NZ)



www.cold.pl



cold@cold.pl



+48 14 611 11 78

BALI

STANDARD EQUIPMENT

- Energy-saving refrigerating unit
- Energy-efficient LED lighting
- Aluminium profiles - silver/gold colour
- Ecological polyurethane foam insulation
- Electronic temperature controller
- Defrosting: automatic
- Automatic condensate evaporation
- External case powder-coated to black colour
- Feet for levelling the device



INTERIOR TEMPERATURE RANGE
+2°C TO +6°C*



DYNAMIC
COOLING



INTERNAL UNIT

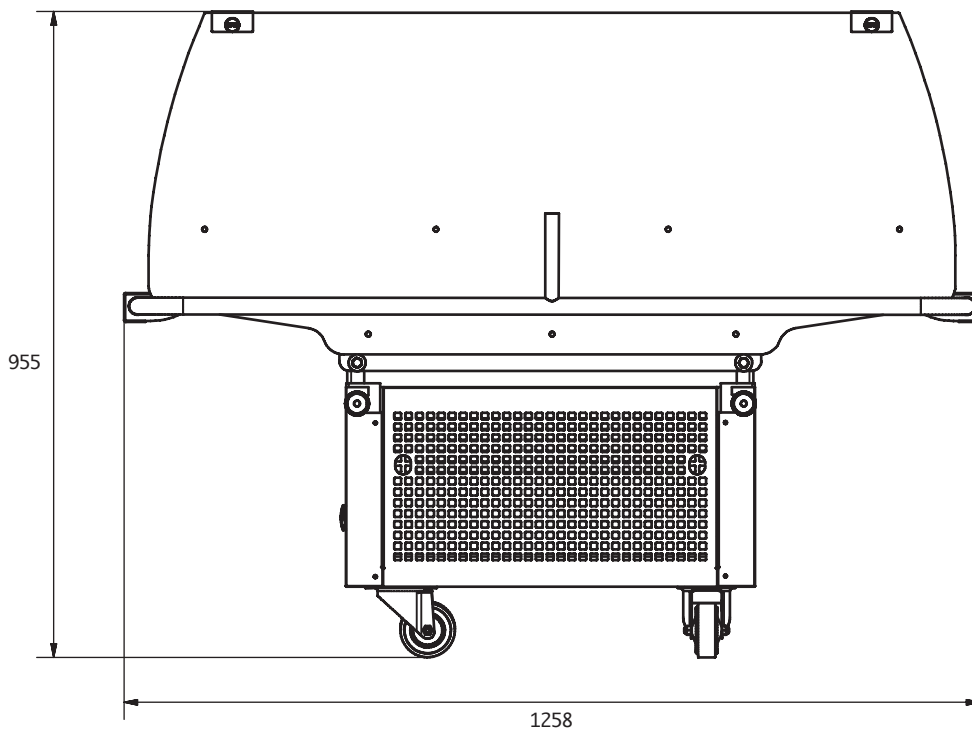


REFRIGERANT 452A



OPTIONAL EQUIPMENT

- Sliding glass lids
- Painting the whole display case in RAL colour
- Painting the evaporator
- Evaporator heaters
- Set of castors



MODULES

SYMBOL	LENGTH INCLUDING SIDES** [mm]	DISPLAY AREA [m ²]	UNIT	WEIGHT [kg]
W-12 BALI	1260	1,65	+	130



*At an ambient temperature of +25°C and humidity of 60%



PASTRY DISPLAY

MALAGA (C-PN-W).....	107
CARMELLO (C-GN)/(C-GN W).....	109
LAGUNA	111
VISION (C-SP).....	113
AMARETTO C-G-g	115
COSI C-G	117
ATENA-504 (SW-504)	119
ATENA-604 (SW-604)	121
ATENA-IV-DR (SW-IV-DR)	123

COOLING EQUIPMENT

Refrigerated displays

PASTRY DISPLAY



KEY FEATURES OF THE SERIES



ENERGY-SAVING



LED LIGHTING



EVAPORATOR
PIPE WALLS 0.8mm



OPTIONAL EQUIPMENT

Our pastry display counters are often individual projects with specific applications.

The optional equipment also differs greatly from one model to another.

Therefore, you will find them on the individual product sheets.

KEY FEATURES OF THE SERIES



ENERGY-SAVING



LED LIGHTING



EVAPORATOR PIPE WALLS 0.8mm

MALAGA (C-PN-W)



STANDARD EQUIPMENT

- Energy-efficient LED lighting
- Energy-saving refrigerating unit
- Supply of warm air onto the glass
- Rack - RAL 7047 or gold colour
- Electronic temperature controller with digital display
- Feet for levelling the device
- Sliding door
- Dynamic cooling
- Wooden casing
- Illuminated lower front panel
- Defrosting (automatic)
- Automatic condensate evaporation
- Height adjustable display shelves



INTERIOR TEMPERATURE RANGE
+5°C TO +15°C*



DYNAMIC
COOLING



TILTABLE FRONT GLASS



REFRIGERANT 449A



OPTIONAL EQUIPMENT

- Eco leather finishing (front)
- Humidity control system
- Serial connection
- Bogie bumper
- Without casing
- Different colour of frame profiles



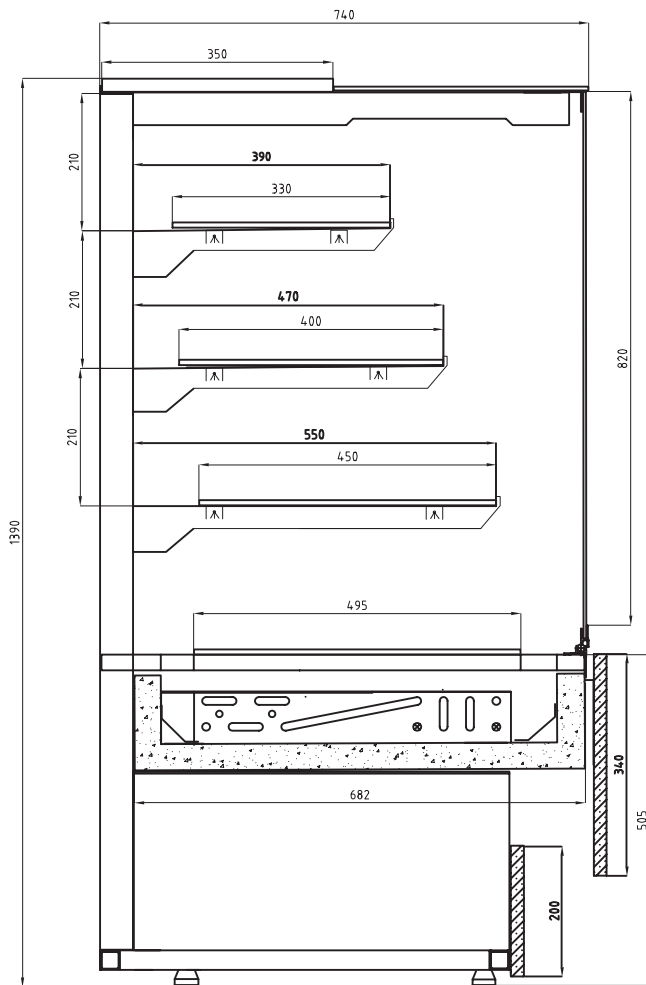
ALTERNATIVE VERSIONS



CASHDESK



NEUTRAL
VERSION



MODULES

SYMBOL	LENGTH INCLUDING SIDES** [mm]	DISPLAY AREA [m ²]	UNIT	WEIGHT [kg]
C-09 PN-w	940	1,65	+	215
C-13 PN-w	1340	2,39	+	260
C-17 PN-w	1740	3,12	+	280
C-09 PN-w B/A	940	1,65	-	195
C-13 PN-w B/A	1340	2,39	-	240
C-17 PN-w B/A	1740	3,12	-	260



Cooling capacity requirements at $t_0 = -15^{\circ}\text{C}$: 500 W/linear meter

*At an ambient temperature of $+25^{\circ}\text{C}$ and humidity of 60%

MALAGA (C-PN-W)


www.cold.pl

cold@cold.pl

[+48 14 611 11 78](tel:+48146111178)

CARMELLO (C-GN)/(C-GN W)



STANDARD EQUIPMENT

- Energy-efficient LED lighting
- Energy-saving refrigerating unit
- Supply of warm air onto the glass
- Rack - RAL 7047 or gold colour
- Electronic temperature controller with digital display
- Feet for levelling the device
- Sliding door
- Dynamic cooling
- Wooden casing
- Illuminated lower front panel
- Defrosting (automatic)
- Automatic condensate evaporation
- Height adjustable display shelves



INTERIOR TEMPERATURE RANGE
+5°C TO +15°C*



DYNAMIC
COOLING



BENT, TILTABLE GLASS



REFRIGERANT 449A



OPTIONAL EQUIPMENT

- Eco leather finishing (front)
- Humidity control system
- Serial connection
- Bogie bumper
- Without casing
- Frame painted in a different RAL colour



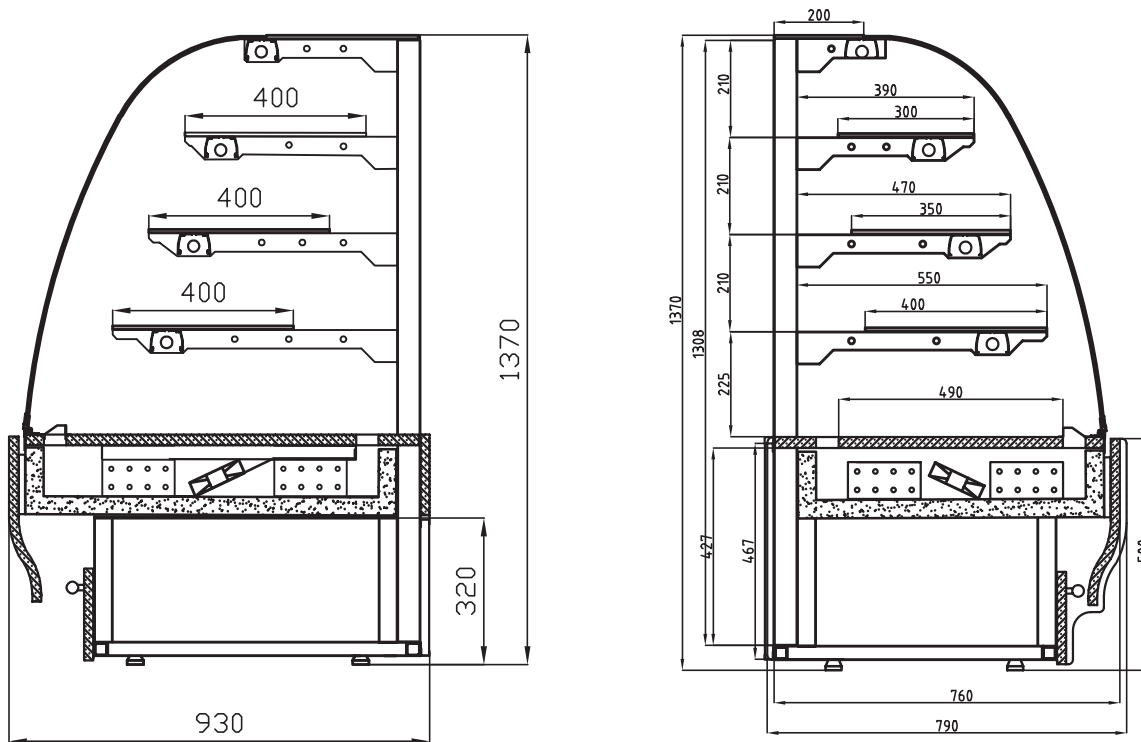
ALTERNATIVE VERSIONS



CASHDESK



NEUTRAL
VERSION



MODULES

Carmello (C-Gn): Depth 930 mm

SYMBOL	LENGTH INCLUDING SIDES** [mm]	DISPLAY AREA [m ²]	UNIT	WEIGHT [kg]
C-09 Gn	945	1,65	+	182
C-13 Gn	1345	2,45	+	263
C-17 Gn	1745	3,12	+	320
C-09 Gn B/A	945	1,65	-	162
C-13 Gn B/A	1345	2,45	-	243
C-17 Gn B/A	1745	3,12	-	300

Carmello-w (C-Gn w): Depth 790 mm

SYMBOL	LENGTH INCLUDING SIDES** [mm]	DISPLAY AREA [m ²]	UNIT	WEIGHT [kg]
C-09 Gn w	945	1,33	+	172
C-13 Gn w	1345	1,93	+	253
C-17 Gn w	1745	2,52	+	310
C-09 Gn w B/A	945	1,33	-	152
C-13 Gn w B/A	1345	1,93	-	233
C-17 Gn w B/A	1745	2,52	-	290



Cooling capacity requirements at $t_0 = -15^{\circ}\text{C}$: 500 W/linear meter

*At an ambient temperature of $+25^{\circ}\text{C}$ and humidity of 60%

CARMELLO (C-GN)/(C-GN W)



www.cold.pl



cold@cold.pl



+48 14 611 11 78

LAGUNA



STANDARD EQUIPMENT

- Energy-efficient LED lighting
- Energy-saving refrigerating unit
- Supply of warm air onto the glass
- Frame (aluminium profiles) - RAL7047 or gold colour
- Electronic temperature controller with digital display
- Feet for levelling the device
- Sliding door
- Dynamic cooling
- Wooden casing
- Illuminated lower front panel
- Defrosting (automatic)
- Automatic condensate evaporation
- Insulated glass
- Height adjustable display shelves



INTERIOR TEMPERATURE RANGE
+4°C TO +8°C*



DYNAMIC
COOLING



REFRIGERANT 449A



INSULATED GLASS



OPTIONAL EQUIPMENT

- Eco leather finishing (front)
- Humidity control system
- Bogie bumper
- Painted casing
- Different colour of frame profiles



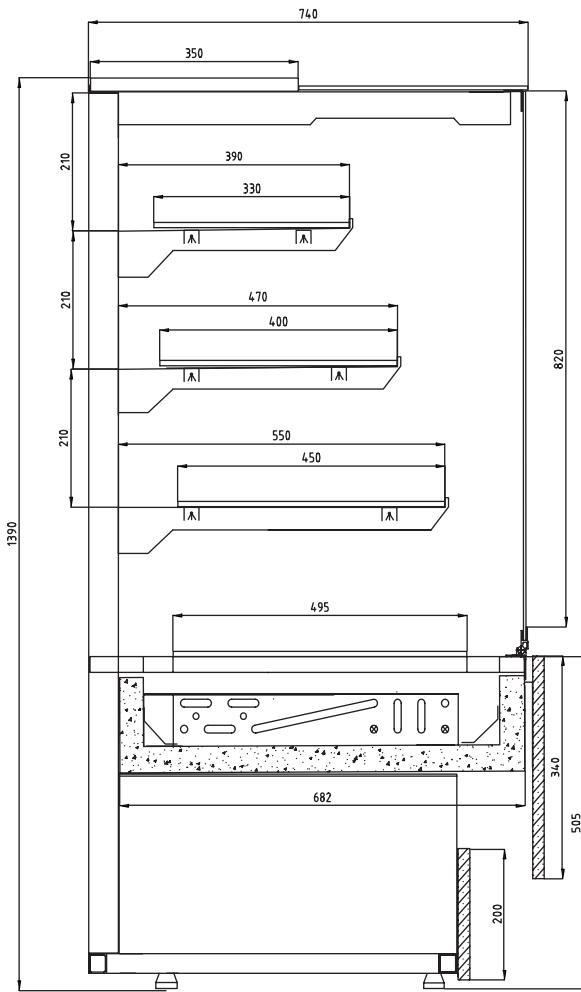
ALTERNATIVE VERSIONS



CASHDESK



NEUTRAL
VERSION



MODULES

SYMBOL	LENGTH INCLUDING SIDES** [mm]	DISPLAY AREA [m ²]	UNIT	WEIGHT [kg]
C-09 Laguna	940	1,65	+	260
C-13 Laguna	1340	2,39	+	295



*At an ambient temperature of +25°C and humidity of 60%

VISION (C-SP)



STANDARD EQUIPMENT

- Energy-efficient LED lighting
- Energy-saving refrigerating unit
- Supply of warm air onto the glass
- Frame (aluminium profiles) - RAL7047 or gold colour
- Electronic temperature controller with digital display
- Feet for levelling the device
- Sliding door
- Dynamic cooling
- Illuminated lower front panel
- Defrosting (automatic)
- Automatic condensate evaporation
- Height adjustable display shelves
- Telescopic glass lift system



INTERIOR TEMPERATURE RANGE
+5°C TO +15°C*



DYNAMIC
COOLING



REFRIGERANT 449A

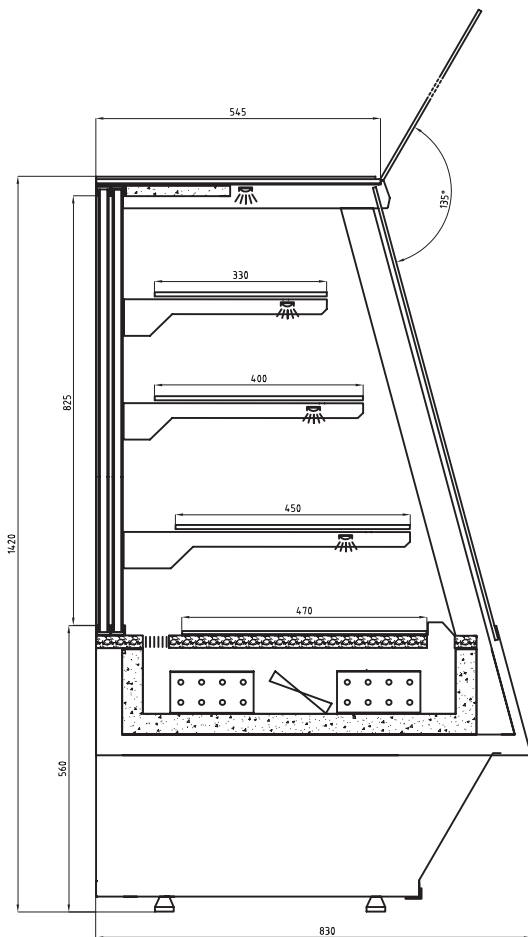


TELESCOPIC GLASS
LIFT SYSTEM



OPTIONAL EQUIPMENT

- Humidity control system
- Serial connection
- Bogie bumper
- Lift up glass



MODULES

SYMBOL	LENGTH INCLUDING SIDES** [mm]	DISPLAY AREA [m ²]	UNIT	WEIGHT [kg]
C-09 SP	940	1,65	+	270
C-13 SP	1340	2,39	+	305



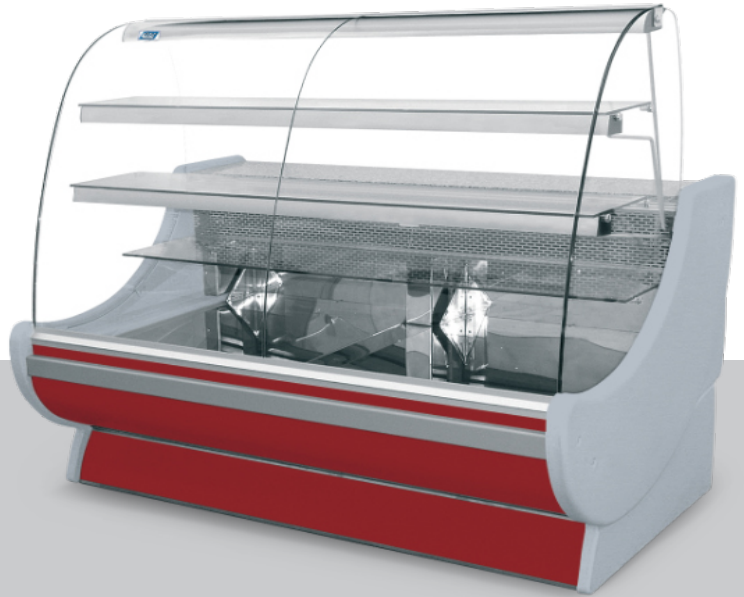
Cooling capacity requirements at $t_0 = -15^{\circ}\text{C}$: 450 W/linear meter

*At an ambient temperature of $+25^{\circ}\text{C}$ and humidity of 60%

**Side thickness 40 mm

VISION (C-SP)

AMARETTO C-G-g



STANDARD EQUIPMENT

- Energy-efficient LED lighting
- Energy-saving refrigerating unit
- Frame (aluminium profiles) - silver or gold colour
- Electronic temperature controller with digital display
- Feet for levelling the device
- Defrosting (automatic)
- External casing made of galvanised sheet metal, white powder-coated
- Ecological polyurethane foam insulation
- Display shelf made of stainless steel sheet
- Granite worktop
- Electronic internal thermometer
- Condensate drain to the condensate container
- Gravity cooling
- Night curtains
- Pull-out display drawers
- Plastic sides (50 mm thick), colour choice (grey/brown)



INTERIOR TEMPERATURE RANGE
+2°C TO +8°C*



GRAVITY
COOLING



HIGH, BENT,
LIFT UP FRONT GLASS

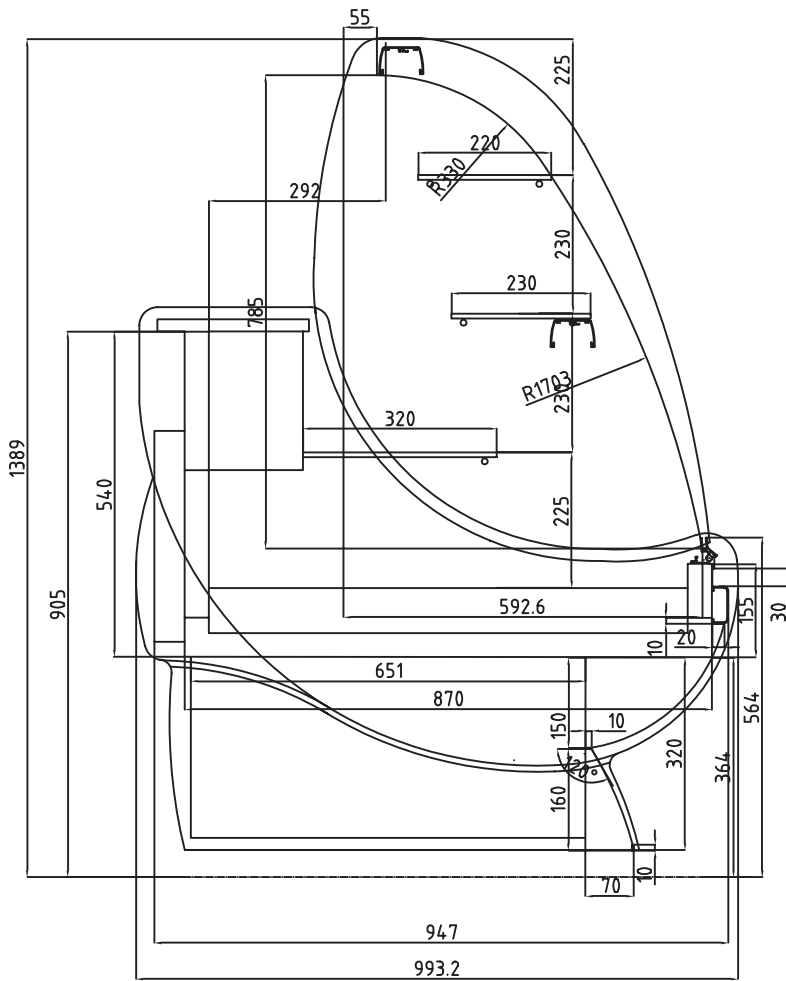


REFRIGERANT 452A



OPTIONAL EQUIPMENT

- Serial connection
- Bogie bumper
- Electrical socket
- Veneer finish



MODULES

SYMBOL	LENGTH INCLUDING SIDES** [mm]	DISPLAY AREA [m ²]	UNIT	WEIGHT [kg]
C-12 G-g	1230	1,94	+	177
C-14 G-g	1430	2,33	+	197
C-16 G-g	1630	2,65	+	214
C-20 G-g	2030	3,31	+	228
C-12 G-g B/A	1230	1,94	-	157
C-14 G-g B/A	1430	2,33	-	177
C-16 G-g B/A	1630	2,65	-	194
C-20 G-g B/A	2030	3,31	-	208



Cooling capacity requirements at $t_0 = -15^\circ\text{C}$: 350 W/linear meter

*At an ambient temperature of $+25^\circ\text{C}$ and humidity of 60%

**Side thickness 50 mm

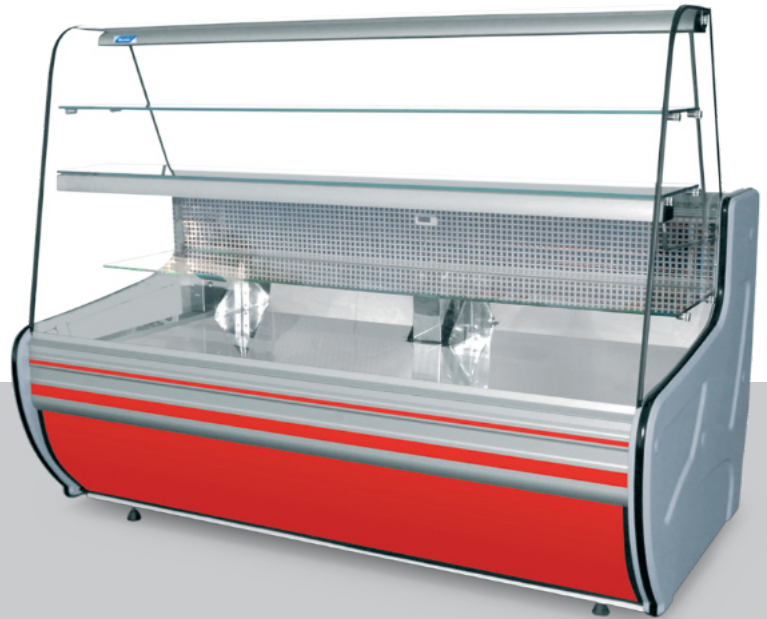
AMARETTO C-G-G


www.cold.pl

cold@cold.pl

[+48 14 611 11 78](tel:+48146111178)

COSI C-G



STANDARD EQUIPMENT

- Energy-efficient LED lighting
- Energy-saving refrigerating unit
- Frame (aluminium profiles) - silver or gold colour
- Electronic temperature controller with digital display
- Feet for levelling the device
- Defrosting (automatic)
- Ecological polyurethane foam insulation
- Display shelf made of stainless steel sheet
- Granite worktop
- Electronic internal thermometer
- Condensate drain to the condensate container
- Gravity cooling
- Night curtains
- Pull-out display drawers
- Plastic sides (50 mm thick), colour choice (grey/brown)



INTERIOR TEMPERATURE RANGE
+2°C TO +8°C*



GRAVITY
COOLING



HIGH, BENT,
TILTABLE FRONT GLASS

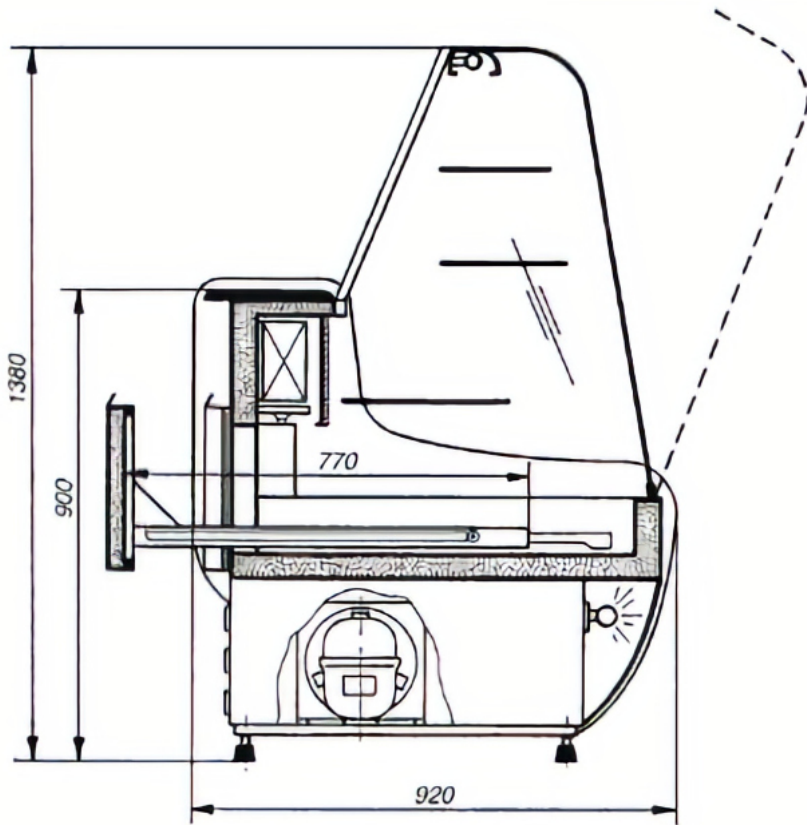


REFRIGERANT 452A



OPTIONAL EQUIPMENT

- Serial connection
- Bogie bumper
- Electrical socket
- Veneer finish



MODULES

SYMBOL	LENGTH INCLUDING SIDES** [mm]	DISPLAY AREA [m ²]	UNIT	WEIGHT [kg]
C-12 G	1230	1,65	+	177
C-14 G	1430	1,99	+	197
C-16 G	1630	2,33	+	214
C-20 G	2030	2,92	+	228
C-12 G B/A	1230	1,65	-	157
C-14 G B/A	1430	1,99	-	177
C-16 G B/A	1630	2,33	-	194
C-20 G B/A	2030	2,92	-	208



Cooling capacity requirements at $t_0 = -15^\circ\text{C}$: 350 W/linear meter

*At an ambient temperature of $+25^\circ\text{C}$ and humidity of 60%

**Side thickness 50 mm

COSI C-G



www.cold.pl



cold@cold.pl



+48 14 611 11 78

ATENA-504 (SW-504)



STANDARD EQUIPMENT

- Energy-efficient LED lighting
- Energy-saving refrigerating unit
- Electronic temperature controller with digital display
- Feet for levelling the device
- Dynamic cooling
- Defrosting (automatic)
- Automatic condensate evaporation
- The interior of the cabinet is made of acid-resistant OH-18 stainless steel
- Glass shelf system
- Opening door with a glaze unit
- External casing made of galvanised sheet metal, powder-coated with RAL colour
- Ecological polyurethane foam insulation



INTERIOR TEMPERATURE RANGE
+4°C TO +8°C*



DYNAMIC
COOLING

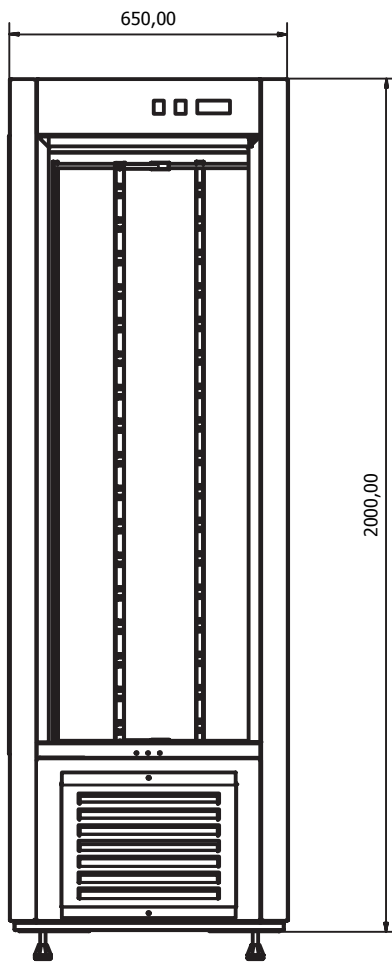


REFRIGERANT 452A



OPTIONAL EQUIPMENT

- Electronic temperature recorder
- Additional glass shelf with hooks
- Set of castors
- Rotary shelves



MODULES

SYMBOL	LENGTH INCLUDING SIDES** [mm]	DISPLAY AREA [m ²]	SHELVING SYSTEM	FINISHING	UNIT	WEIGHT [kg]
ATENA-504-L SW-504 L	650	1,23	fixed	varnish	+	135
ATENA-504-L/o SW-504 L/o	650	1,23	rotary	varnish	+	130



*At an ambient temperature of +25°C and humidity of 60%

ATENA-504 (SW-504)



www.cold.pl



cold@cold.pl



+48 14 611 11 78

ATENA-604 (SW-604)



STANDARD EQUIPMENT

- Energy-efficient LED lighting
- Energy-saving refrigerating unit
- Electronic temperature controller with digital display
- Feet for levelling the device
- Dynamic cooling
- Defrosting (automatic)
- Automatic condensate evaporation
- The interior of the cabinet is made of acid-resistant OH-18 stainless steel
- Glass shelf system
- Opening door with a glaze unit
- External casing made of galvanised sheet metal, powder-coated with RAL colour
- Ecological polyurethane foam insulation



INTERIOR TEMPERATURE RANGE
+4°C TO +8°C*



DYNAMIC
COOLING

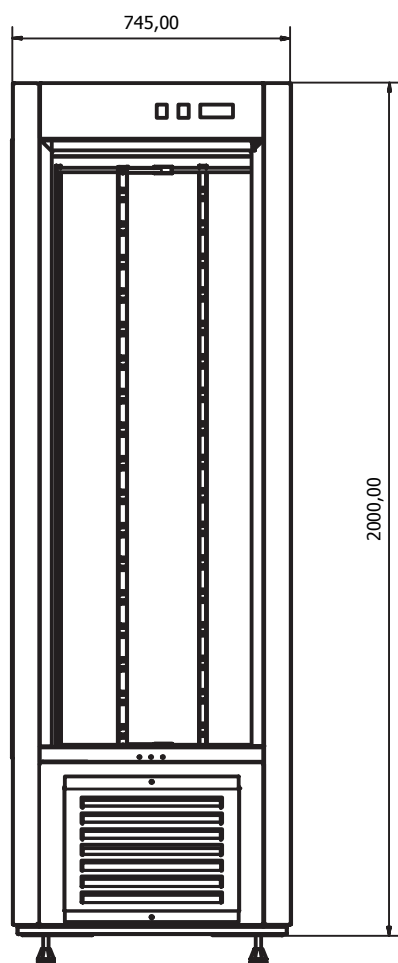


REFRIGERANT 452A



OPTIONAL EQUIPMENT

- Electronic temperature recorder
- Additional glass shelf with hooks
- Set of castors
- Rotary shelves
- Wooden casing



MODULES

SYMBOL	LENGTH INCLUDING SIDES** [mm]	DISPLAY AREA [m ²]	SHELVING SYSTEM	FINISHING	UNIT	WEIGHT [kg]
SW-604 L	745	1,4	fixed	varnish	+	140
SW-604 L/o	745	1,4	rotary	varnish	+	135
SW-604 D	770	1,4	fixed	wood	+	145
SW-604 D/o	770	1,4	rotary	wood	+	140



*At an ambient temperature of +25°C and humidity of 60%

ATENA-604 (SW-604)



www.cold.pl



cold@cold.pl



+48 14 611 11 78

ATENA-IV-DR (SW-IV-DR)



STANDARD EQUIPMENT

- Energy-efficient LED lighting
- Energy-saving refrigerating unit
- Electronic temperature controller with digital display
- Feet for levelling the device
- Dynamic cooling
- Defrosting (automatic)
- Automatic condensate evaporation
- The interior of the cabinet is made of acid-resistant OH-18 stainless steel
- Plasticised mesh shelves
- Sliding door with a glazed unit
- External casing made of galvanised sheet metal, powder-coated with RAL colour
- Ecological polyurethane foam insulation



INTERIOR TEMPERATURE RANGE
+4°C TO +8°C*



DYNAMIC
COOLING

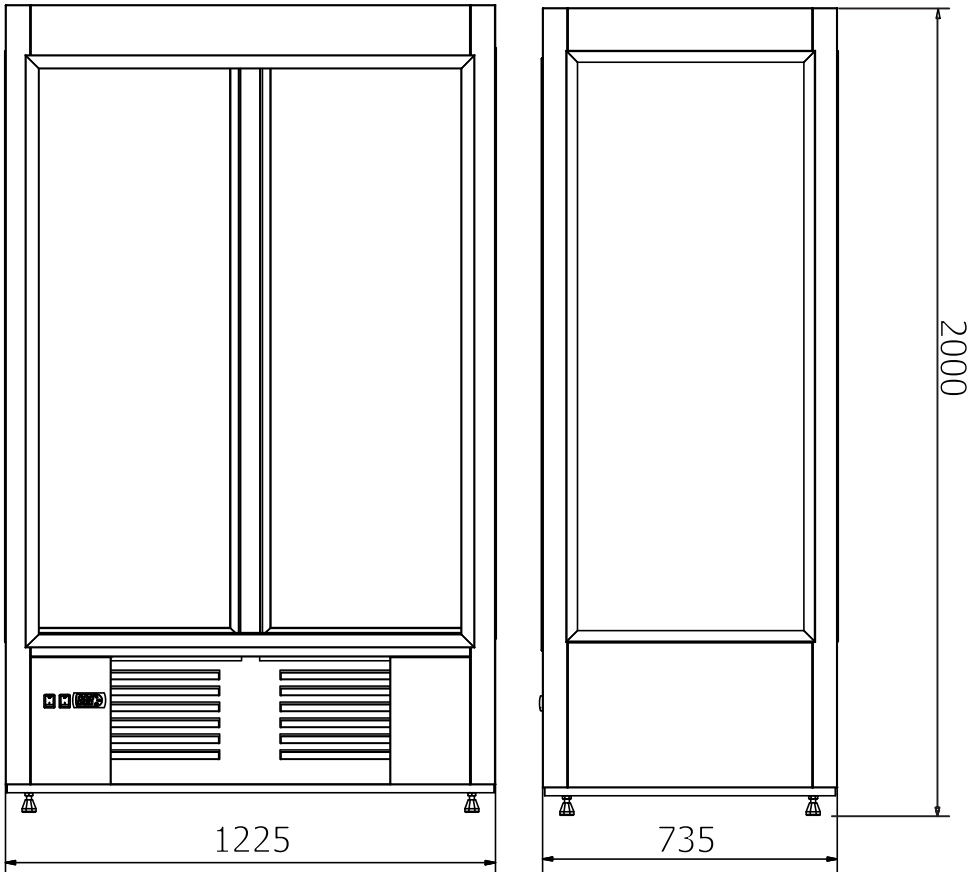


REFRIGERANT 452A



OPTIONAL EQUIPMENT

- Electronic temperature recorder
- Set of castors
- Glass shelving system



MODULES

SYMBOL	LENGTH INCLUDING SIDES** [mm]	DISPLAY AREA [m ²]	SHELVES QUANTITY	FINISHING	UNIT	WEIGHT [kg]
SW-1200 IV DR	1225	2,87	10	varnish	+	235



*At an ambient temperature of +25°C and humidity of 60%

ATENA-IV-DR (SW-IV-DR)



www.cold.pl



cold@cold.pl



+48 14 611 11 78

ICE-CREAM DISPENSERS

MALIBU W-DL.....	129
GALAXY	131
GALAXY ECO	133

FREEZING equipment
Dispensers

ICE-CREAM DISPENSERS



KEY FEATURES OF THE SERIES



PLUG-IN



ENERGY-SAVING



TEMPERATURE RANGE
INTERIORS FROM -14°C TO -22°C



ICE-CREAM
TRAY RACK



EVAPORATOR
PIPE WALLS 0.8mm



OPTIONAL EQUIPMENT

- Electronic temperature recorder
- Set of castors
- Ice-cream trays

KEY FEATURES OF THE SERIES



PLUG-IN



ENERGY-SAVING



INTERIOR TEMPERATURE RANGE
-14°C TO -23°C



ICE-CREAM TRAY RACK



EVAPORATOR PIPE WALLS 0.8mm

MALIBU W-DL



STANDARD EQUIPMENT

- Energy-efficient LED lighting
- Energy-saving refrigerating unit
- Electronic temperature controller with digital display
- Feet for levelling the device
- Dynamic cooling
- Defrosting (automatic)
- External case powder-coated
- Ecological polyurethane foam insulation
- Stainless granite worktop
- Electronic internal thermometer
- Automatic condensate evaporation
- Ice-cream tray rack
- Night curtain



INTERIOR TEMPERATURE RANGE
-14°C TO -22°C*



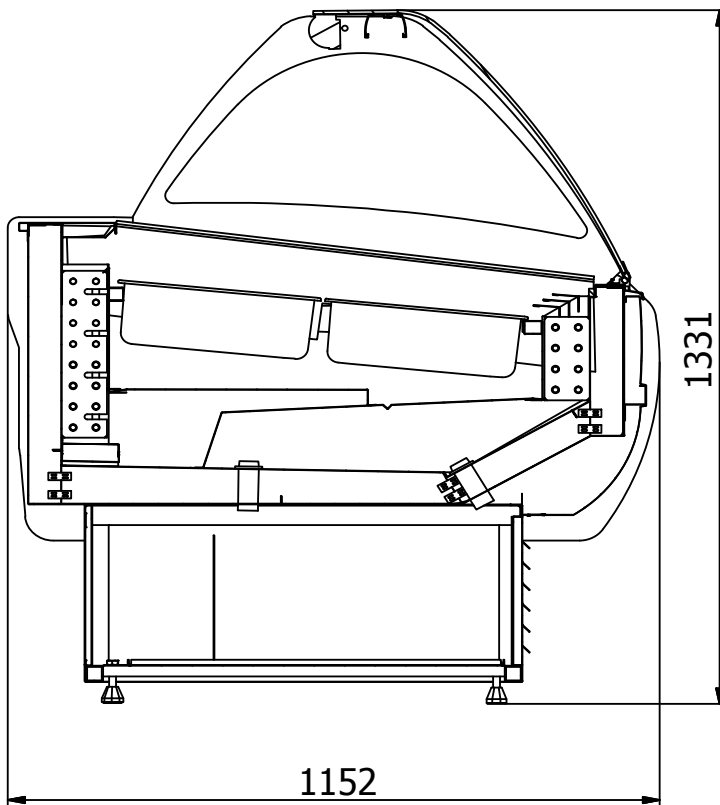
DYNAMIC
COOLING



REFRIGERANT 452A



BENT, TILTABLE GLASS



MODULES

SYMBOL	LENGTH INCLUDING SIDES** [MM]	NUMBER OF CONTAINERS [L]	UNIT	DISPLAY AREA [m2]	WEIGHT [kg]
W-12 DL	1155	12 x 5,2	+	0,7	160
W-16 DL	1465	16 x 5,2	+	1,06	205



*At an ambient temperature of +25°C and humidity of 60%

GALAXY



STANDARD EQUIPMENT

- Energy-efficient LED lighting
- Energy-saving refrigerating unit
- Electronic temperature controller with digital display
- Feet for levelling the device
- Dynamic cooling
- Defrosting (automatic)
- External case powder-coated
- Ecological polyurethane foam insulation
- Stainless granite worktop
- Electronic internal thermometer
- Automatic condensate evaporation
- Ice-cream tray rack
- Telescopic glass lift system
- Night curtain



INTERIOR TEMPERATURE RANGE
-14°C TO -22°C*



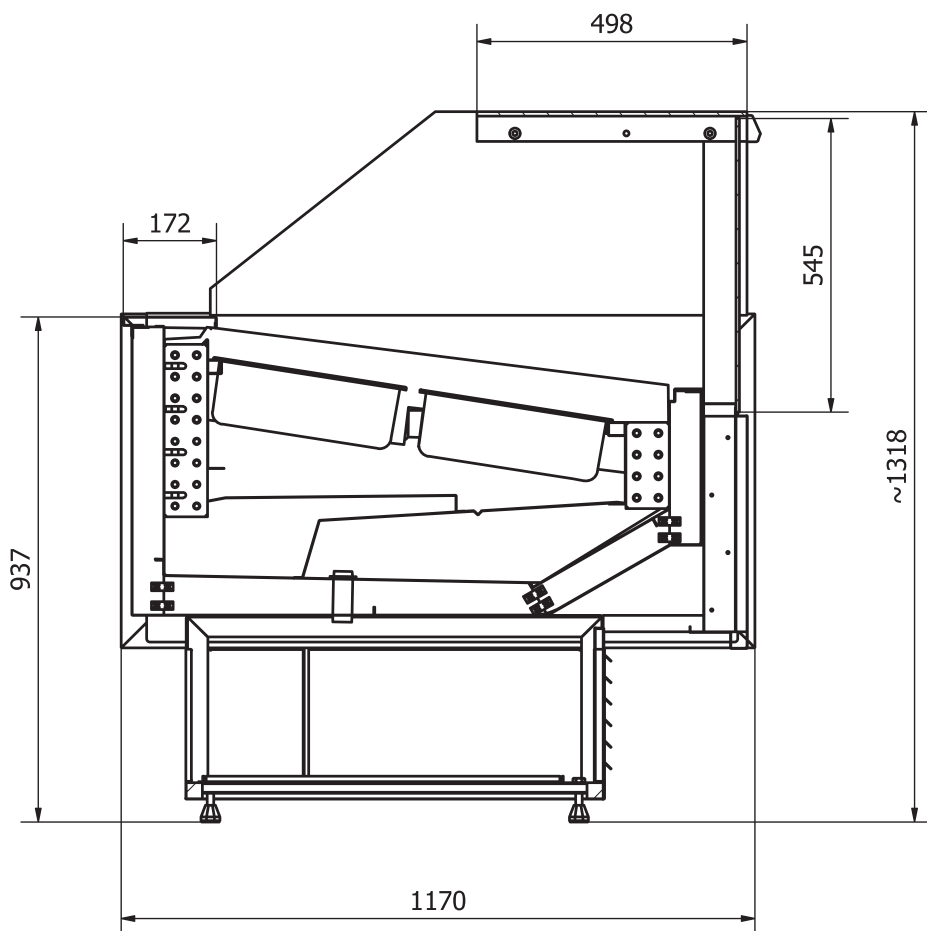
DYNAMIC
COOLING



REFRIGERANT 452A



TELESCOPIC GLASS
LIFT SYSTEM



MODULES

SYMBOL	LENGTH INCLUDING SIDES** [MM]	NUMBER OF CONTAINERS [L]	UNIT	DISPLAY AREA [m ²]	WEIGHT [kg]
W-12 DL PP	1155	12 x 5,2	+	0,7	185
W-16 DL PP	1465	16 x 5,2	+	1,06	230



*At an ambient temperature of +25°C and humidity of 60%

GALAXY ECO



STANDARD EQUIPMENT

- Energy-efficient LED lighting
- Energy-saving refrigerating unit
- Electronic temperature controller with digital display
- Feet for levelling the device
- Dynamic cooling
- Defrosting (automatic)
- External case powder-coated
- Ecological polyurethane foam insulation
- Stainless granite worktop
- Electronic internal thermometer
- Automatic condensate evaporation
- Ice-cream tray rack
- Night curtain



INTERIOR TEMPERATURE RANGE
-14°C TO -22°C*



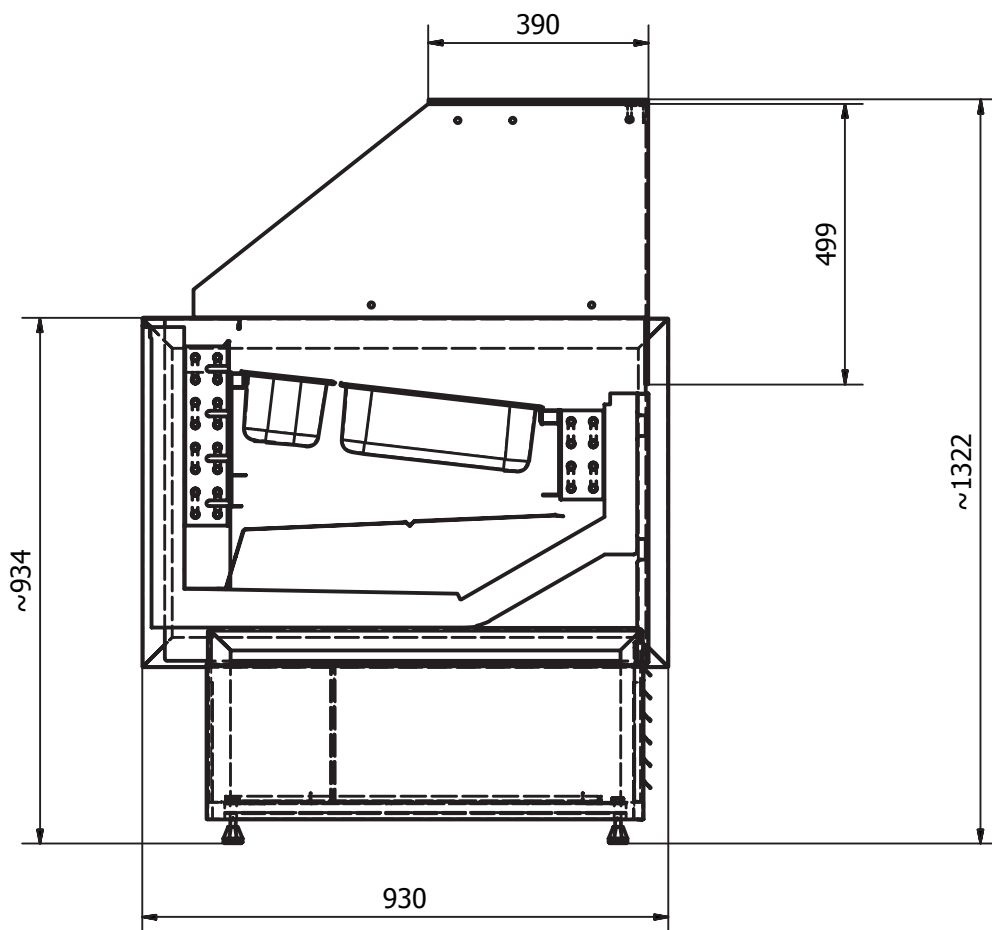
DYNAMIC
COOLING



REFRIGERANT 452A



TILTABLE GLASS



MODULES

SYMBOL	LENGTH INCLUDING SIDES** [MM]	NUMBER OF CONTAINERS [L]	UNIT	DISPLAY AREA [m ²]	WEIGHT [kg]
W-09 DL PU	1155	9 x GN	+	0,7	165



*At an ambient temperature of +25°C and humidity of 60%

COOLING CABINETS

BOSTON (S).....	139
BOSTON A/G (S A/G)	141
ASTANA DP (SW-DP)	143
ASTANA-II-DP (SW-II-DP)	145
ASTANA-DP-A/G (SW-DP A/G).....	147
ASTANA-DR (SW-DR)	149
ASTANA-DR A/G (SW-DR A/G).....	151
ASTANA-II-DR (SW-II-DR).....	153

COOLING EQUIPMENT

Cooling cabinets

COOLING CABINETS



KEY FEATURES OF THE SERIES



PLUG-IN



ENERGY-SAVING



EVAPORATOR
PIPE WALLS 0.8mm



OPTIONAL EQUIPMENT

- Dynamic cooling*
- Fixed vertical partition (II K)
- Additional shelf with hooks
- Cabinets made of acid-resistant stainless steel – outside
- Cabinets made of acid-resistant stainless steel – inside
- Painting of cabinet casing, RAL palette
- Electronic USB temperature recorder
- Label holders*****
- Door locks***
- Illumination of the extension****
- Illuminated top panel (colour selection possible)****

*Not included in Astana II DP and II DR and Denver

*Not included in Astana II DP and II DR

***Boston only

****Not included in Boston

KEY FEATURES OF THE SERIES



PLUG-IN



ENERGY-SAVING



EVAPORATOR PIPE WALLS 0.8mm

BOSTON (S)

STANDARD EQUIPMENT

- Side-hung door, full
- Energy-saving refrigerating unit
- External casing made of galvanised sheet metal (white powder-coated)
- Cabinet interior made of aluminium sheet
- Ecological polyurethane foam insulation
- Metal, mesh, plasticised shelves with adjustable position
- Electronic temperature controller with digital display
- Automatic condensate evaporation
- Defrosting (automatic)
- Feet for levelling the device



INTERIOR TEMPERATURE RANGE
-1°C TO +8°C*



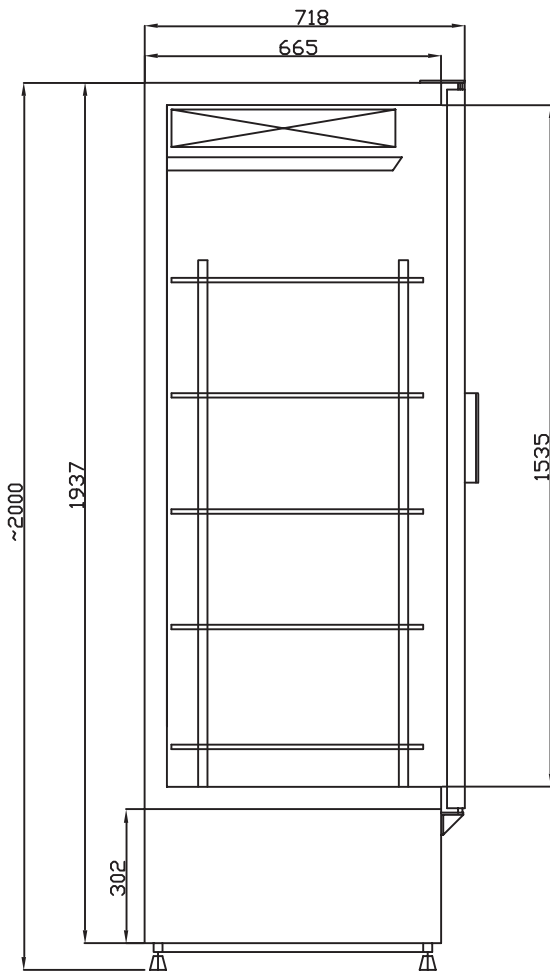
GRAVITY
COOLING



REFRIGERANT
452A



LOWER ATTACHMENT
OF THE UNIT



MODULES

SYMBOL	LENGTH [mm]	NUMBER OF SHELVES	NUMBER OF DOORS	UNIT	DISPLAY AREA [m ²]	VOLUME OF THE DEVICE [dcm ³]	WEIGHT [kg]
S-500	655	5	single	+	1,23	470	98
S-700	830	5	single	+	1,83	658	116
S-1200	1420	10	double	+	3,12	1134	121
S-1400	1620	10	double	+	3,66	1306	188



*At an ambient temperature of +25°C and humidity of 60%

BOSTON (S)



www.cold.pl



cold@cold.pl



+48 14 611 11 78

BOSTON A/G (S A/G)

STANDARD EQUIPMENT

- Side-hung door, full
- Energy-saving refrigerating unit
- External casing made of galvanised sheet metal (white powder-coated)
- Cabinet interior made of aluminium sheet
- Ecological polyurethane foam insulation
- Metal, mesh, plasticised shelves with adjustable position
- Electronic temperature controller with digital display
- Automatic condensate evaporation
- Defrosting (automatic)
- Feet for levelling the device



INTERIOR TEMPERATURE RANGE
-1°C TO +8°C*



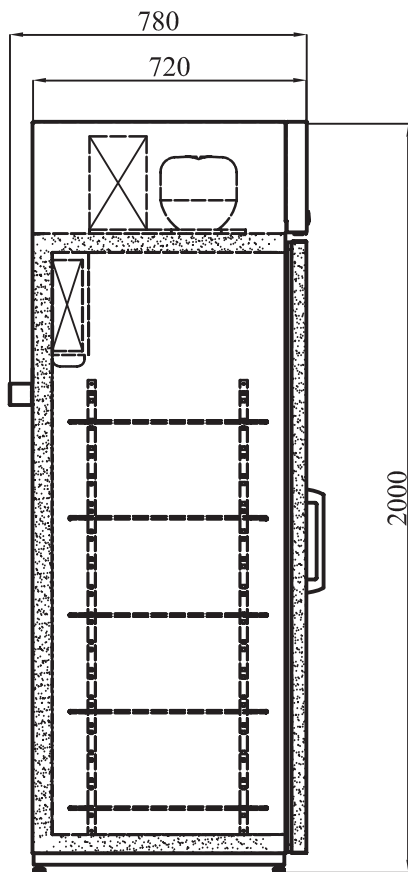
GRAVITY
COOLING



REFRIGERANT
452A



UPPER ATTACHMENT
OF THE UNIT



MODULES

SYMBOL	LENGTH [mm]	NUMBER OF SHELVES	NUMBER OF DOORS	UNIT	DISPLAY AREA [m ²]	VOLUME OF THE DEVICE [dcm ³]	WEIGHT [kg]
S-500 A/G	655	5	single	+	1,23	470	98
S-700 A/G	830	5	single	+	1,83	658	116
S-1200 A/G	1420	10	double	+	3,12	1134	121
S-1400 A/G	1620	10	double	+	3,66	1306	188



*At an ambient temperature of +25°C and humidity of 60%

BOSTON A/G (S-A/G)



www.cold.pl



cold@cold.pl



+48 14 611 11 78

ASTANA DP (SW-DP)



STANDARD EQUIPMENT

- Side-hung door with a glazed unit
- Energy-saving refrigerating unit
- External casing made of galvanised sheet metal (white powder-coated)
- The interior of the cabinet is made of stainless steel (back and bottom)
- Ecological polyurethane foam insulation
- Metal, mesh, plasticised shelves with adjustable position
- Electronic temperature controller with digital display
- Automatic condensate evaporation
- Defrosting (automatic)
- Feet for levelling the device
- Cabinet interior lighting switch
- Top panel (advertising light fitting) with colour selection
- Energy-efficient LED lighting



INTERIOR TEMPERATURE RANGE
2°C TO +8°C*



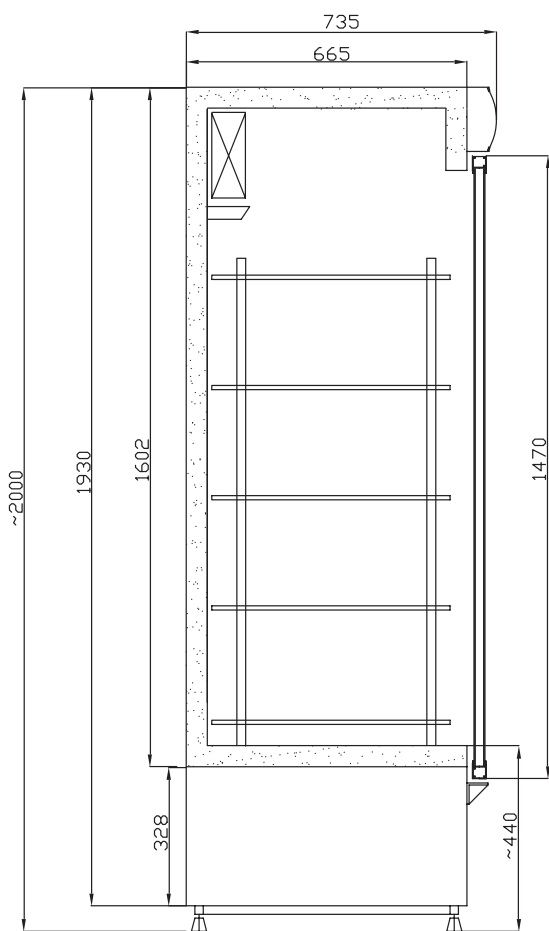
GRAVITY
COOLING



REFRIGERANT
452A



LOWER ATTACHMENT
OF THE UNIT



MODULES

SYMBOL	LENGTH [mm]	NUMBER OF SHELVES	NUMBER OF DOORS	UNIT	DISPLAY AREA [m ²]	VOLUME OF THE DEVICE [dcm ³]	WEIGHT [kg]
SW-500 DP	655	5	single	+	1,42	480	105
SW-600 DP	725	5	single	+	1,84	572	124
SW-700 DP	830	5	single	+	2,15	667	140
SW-1200 DP	1225	10	double	+	2,83	1029	183
SW-1400 DP	1425	10	double	+	3,68	1212	199
SW-1600 DP	1620	10	double	+	4,3	1385	218



*At an ambient temperature of +25°C and humidity of 60%

ASTANA DP (SW-DP)



www.cold.pl



cold@cold.pl



+48 14 611 11 78

ASTANA-II-DP (SW-II-DP)



STANDARD EQUIPMENT

- Side-hung door with a glazed unit
- Energy-saving refrigerating unit
- External casing made of galvanised sheet metal (white powder-coated)
- The interior of the cabinet is made of stainless steel (bottom)
- Rear of the cabinet with a glazed unit
- Ecological polyurethane foam insulation
- Metal, mesh, plasticised shelves with adjustable position
- Electronic temperature controller with digital display
- Automatic condensate evaporation
- Defrosting (automatic)
- Feet for levelling the device
- Cabinet interior lighting switch
- Energy-efficient LED lighting



INTERIOR TEMPERATURE RANGE
2°C TO +8°C*



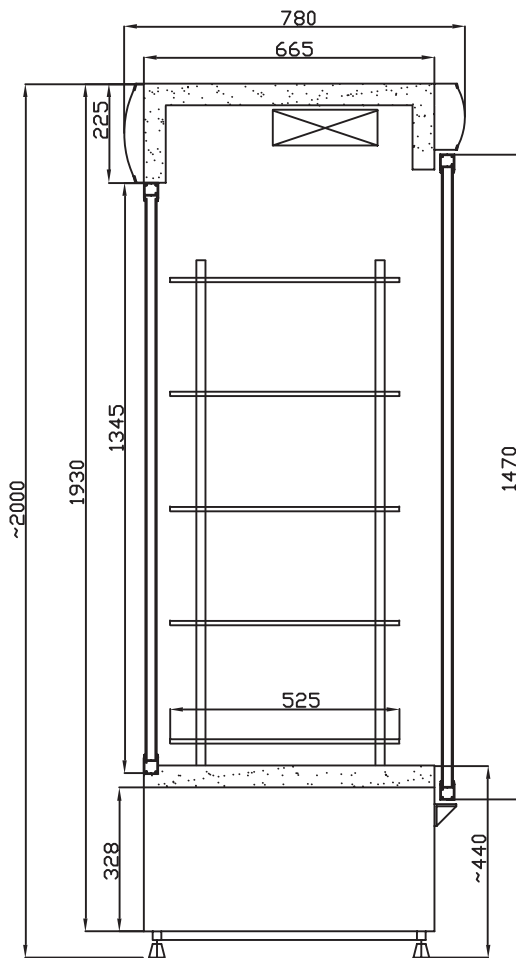
DYNAMIC
COOLING



REFRIGERANT
452A



LOWER ATTACHMENT
OF THE UNIT



MODULES

SYMBOL	LENGTH [mm]	NUMBER OF SHELVES	NUMBER OF DOORS	UNIT	DISPLAY AREA [m ²]	VOLUME OF THE DEVICE [dcm ³]	WEIGHT [kg]
SW-600 II DP-v	765	5	single	+	1,84	470	125
SW-1200 II DP-v	1225	10	double	+	2,83	820	193
SW-1400 II DP-v	1425	10	double	+	3,68	966	208



*At an ambient temperature of +25°C and humidity of 60%

ASTANA-II-DP (SW-II-DP)



www.cold.pl



cold@cold.pl



+48 14 611 11 78

ASTANA-DP-A/G (SW-DP A/G)



STANDARD EQUIPMENT

- Side-hung door with a glazed unit
- Energy-saving refrigerating unit
- External casing made of galvanised sheet metal (white powder-coated)
- The interior of the cabinet is made of stainless steel (back and bottom)
- Ecological polyurethane foam insulation
- Metal, mesh, plasticised shelves with adjustable position
- Electronic temperature controller with digital display
- Automatic condensate evaporation
- Defrosting (automatic)
- Feet for levelling the device
- Cabinet interior lighting switch
- Energy-efficient LED lighting



INTERIOR TEMPERATURE RANGE
2°C TO +8°C*



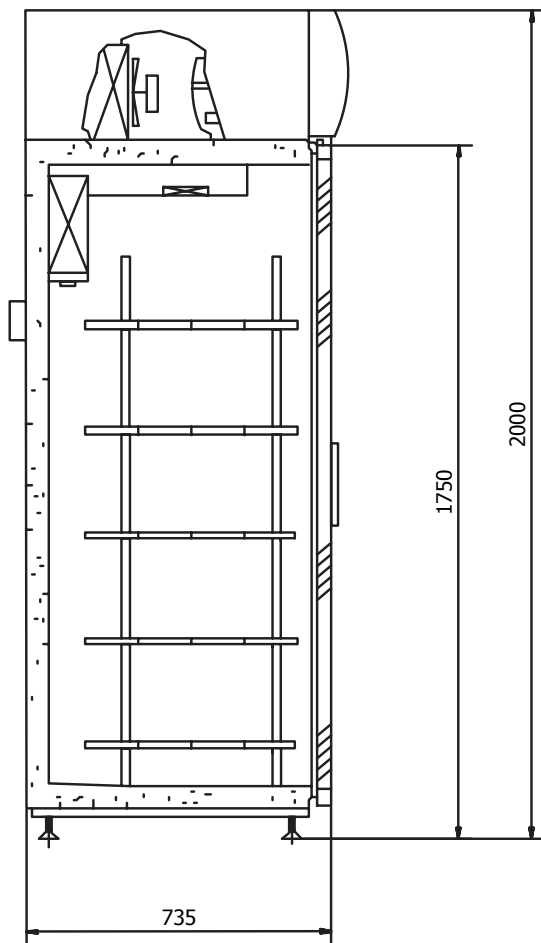
GRAVITY
COOLING



REFRIGERANT
452A



UPPER ATTACHMENT
OF THE UNIT



MODULES

SYMBOL	LENGTH [mm]	NUMBER OF SHELVES	NUMBER OF DOORS	UNIT	DISPLAY AREA [m ²]	VOLUME OF THE DEVICE [dcm ³]	WEIGHT [kg]
SW-500 DP A/G	655	5	single	+	1,42	480	105
SW-600 DP A/G	725	5	single	+	1,84	572	124
SW-700 DP A/G	830	5	single	+	2,15	667	140
SW-1200 DP A/G	1225	10	double	+	2,83	1029	183
SW-1400 DP A/G	1425	10	double	+	3,68	1212	199
SW-1600 DP A/G	1620	10	double	+	4,3	1385	218



*At an ambient temperature of +25°C and humidity of 60%

ASTANA-DP-A/G (SW-DP A/G)



www.cold.pl



cold@cold.pl



+48 14 611 11 78

ASTANA-DR (SW-DR)



STANDARD EQUIPMENT

- Sliding door with a glazed unit
- Energy-saving refrigerating unit
- External casing made of galvanised sheet metal (white powder-coated)
- The interior of the cabinet is made of stainless steel (back and bottom)
- Ecological polyurethane foam insulation
- Metal, mesh, plasticised shelves with adjustable position
- Electronic temperature controller with digital display
- Automatic condensate evaporation
- Defrosting (automatic)
- Feet for levelling the device
- Cabinet interior lighting switch
- Energy-efficient LED lighting



INTERIOR TEMPERATURE RANGE
2°C TO +8°C*



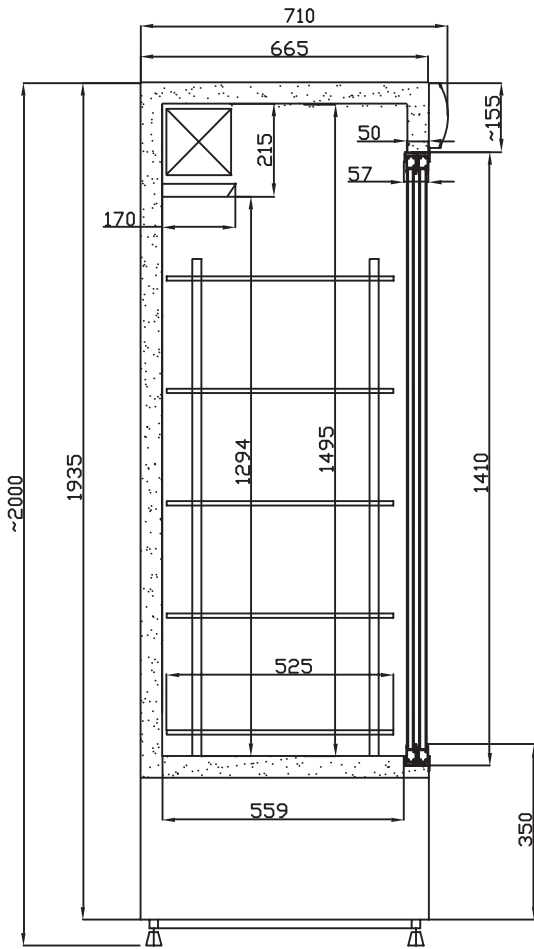
GRAVITY
COOLING



REFRIGERANT
452A



LOWER ATTACHMENT
OF THE UNIT



MODULES

SYMBOL	LENGTH [mm]	NUMBER OF SHELVES	NUMBER OF DOORS	UNIT	DISPLAY AREA [m ²]	VOLUME OF THE DEVICE [dcm ³]	WEIGHT [kg]
SW-1200 DR	1225	10	double	+	2,83	1032	177
SW-1400 DR	1425	10	double	+	3,68	1177	204
SW-1600 DR	1620	10	double	+	4,3	1345	223



*At an ambient temperature of +25°C and humidity of 60%

ASTANA-DR-A/G (SW-DR A/G)



www.cold.pl



cold@cold.pl



+48 14 611 11 78

ASTANA-DR A/G (SW-DR A/G)



STANDARD EQUIPMENT

- Sliding door with a glazed unit
- Energy-saving refrigerating unit
- External casing made of galvanised sheet metal (white powder-coated)
- The interior of the cabinet is made of stainless steel (back and bottom)
- Ecological polyurethane foam insulation
- Metal, mesh, plasticised shelves with adjustable position
- Electronic temperature controller with digital display
- Automatic condensate evaporation
- Defrosting (automatic)
- Feet for levelling the device
- Cabinet interior lighting switch
- Label holders
- Energy-efficient LED lighting



INTERIOR TEMPERATURE RANGE
2°C TO +8°C*



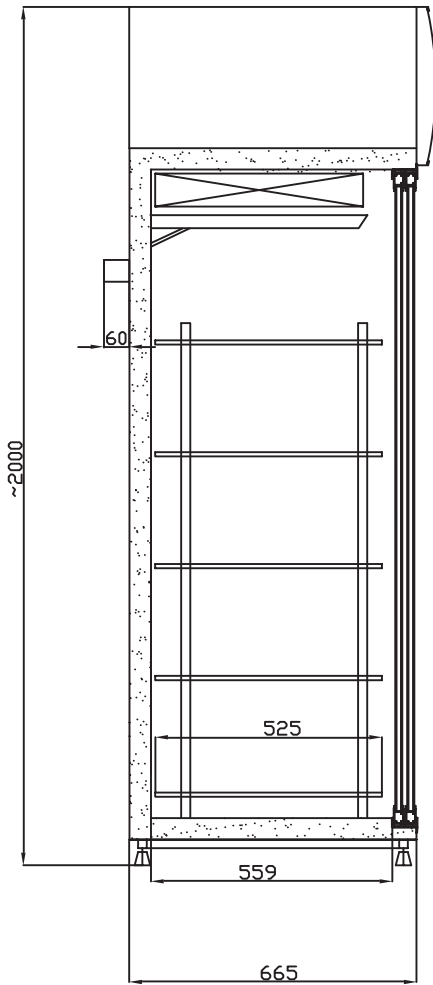
GRAVITY
COOLING



REFRIGERANT
452A



UPPER ATTACHMENT
OF THE UNIT



MODULES

SYMBOL	LENGTH [mm]	NUMBER OF SHELVES	NUMBER OF DOORS	UNIT	DISPLAY AREA [m ²]	VOLUME OF THE DEVICE [dcm ³]	WEIGHT [kg]
SW-1200 DR A/G	1225	10	double	+	2,83	1032	177
SW-1400 DR A/G	1425	10	double	+	3,68	1177	204
SW-1600 DR A/G	1620	10	double	+	4,3	1345	223



*At an ambient temperature of +25°C and humidity of 60%

ASTANA-DR-A/G (SW-DR A/G)



www.cold.pl



cold@cold.pl



+48 14 611 11 78

ASTANA-II-DR (SW-II-DR)



STANDARD EQUIPMENT

- Sliding door with a glazed unit
- Energy-saving refrigerating unit
- External casing made of galvanised sheet metal (white powder-coated)
- The interior of the cabinet is made of stainless steel (bottom)
- Rear of the cabinet with a glazed unit
- Ecological polyurethane foam insulation
- Metal, mesh, plasticised shelves with adjustable position
- Electronic temperature controller with digital display
- Automatic condensate evaporation
- Defrosting (automatic)
- Feet for levelling the device
- Cabinet interior lighting switch
- Label holders
- Energy-efficient LED lighting



INTERIOR TEMPERATURE RANGE
2°C TO +8°C*



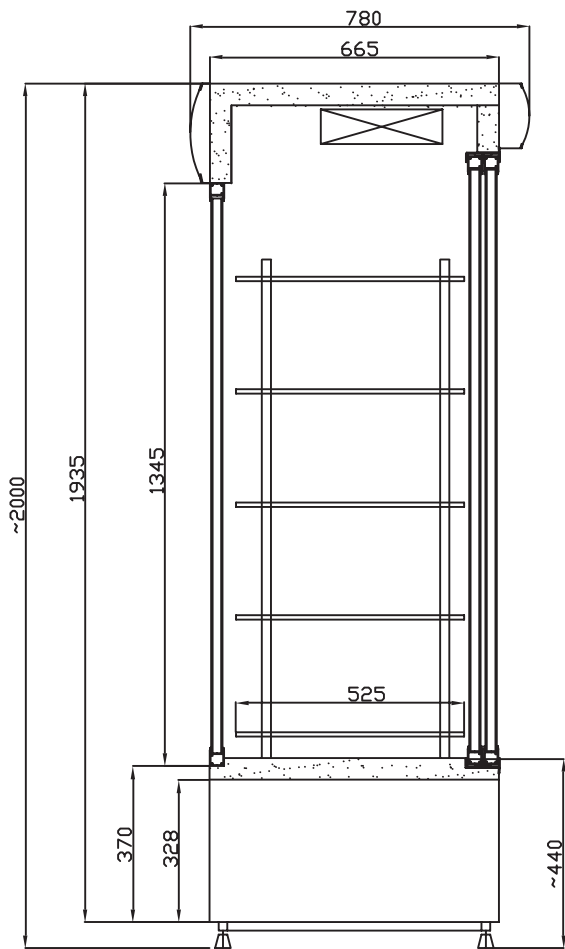
DYNAMIC
COOLING



REFRIGERANT
452A



LOWER ATTACHMENT
OF THE UNIT



MODULES

SYMBOL	LENGTH [mm]	DEPTH [mm]	NUMBER OF SHELVES	NUMBER OF DOORS	UNIT	DISPLAY AREA [m ²]	VOLUME OF THE DEVICE [dcm ³]	WEIGHT [kg]
SW-1200 II DR	1225	780	10	double	+	2,83	951	197
SW-1400 II DR	1425	780	10	double	+	3,68	1109	213



*At an ambient temperature of +25°C and humidity of 60%
 **Side thickness 40 mm

ASTANA-II-DR (SW-II-DR)



www.cold.pl



cold@cold.pl



+48 14 611 11 78

DENVER (SW-III-DP/W)



STANDARD EQUIPMENT

- Side-hung door with a glazed unit
- Energy-saving refrigerating unit
- External casing made of galvanised sheet metal (white powder-coated)
- Ecological polyurethane foam insulation
- Metal shelves with adjustable position
- Electronic temperature controller with digital display
- Automatic condensate evaporation
- Defrosting (automatic)
- Feet for levelling the device
- Cabinet interior lighting switch
- Energy-efficient LED lighting



INTERIOR TEMPERATURE RANGE
2°C TO +8°C*



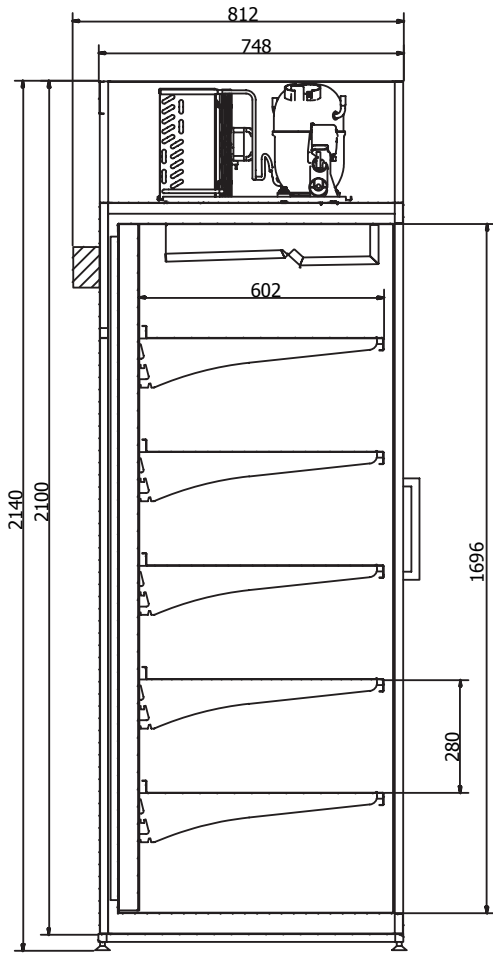
DYNAMIC
COOLING



REFRIGERANT
452A



UPPER ATTACHMENT
OF THE UNIT



MODULES

SYMBOL	LENGTH [mm]	NUMBER OF SHELVES	DEPTH [mm]	UNIT	DISPLAY AREA [m ²]	VOLUME OF THE DEVICE [dcm ³]	WEIGHT [kg]
SW-1600 III DP/W	1645	6	800	+	4,53	1410	275



*At an ambient temperature of +25°C and humidity of 60%

DENVER (SW-III-DP/W)



www.cold.pl



cold@cold.pl



+48 14 611 11 78

DISPLAYS

R-BERGAMO	161
R-KREDENS.....	163
YOKOHAMA.....	165
YOKOHAMA GLASS.....	167
YOKOHAMA ONE	169
ALABAMA (R-NA)	171
CROCO.....	173

COOLING EQUIPMENT

Cooling multidecks

DISPLAYS



KEY FEATURES OF THE SERIES



DYNAMIC
COOLING



ENERGY-SAVING



LED LIGHTING



EVAPORATOR
PIPE WALLS 0.8mm



OPTIONAL EQUIPMENT

Our displays are often individual projects with specific applications.

The optional equipment also differs greatly from one model to another.

Therefore, you will find them on the individual product sheets.

KEY FEATURES OF THE SERIES



DYNAMIC COOLING



ENERGY-SAVING



LED LIGHTING



EVAPORATOR PIPE WALLS 0.8mm

R-BERGAMO



STANDARD EQUIPMENT

- LED lighting on the sides
- Energy-saving refrigerating unit
- Ecological polyurethane foam insulation
- Wooden casing
- Interior and shelves made of galvanised sheet metal (white powder-coated)
- Display shelves with adjustable height and suspension angle
- Label holders
- Night curtain
- Electronic temperature controller with digital display
- Condensate drain to the condensate container (version for fruit and vegetables)***
- Automatic condensate evaporation**
- Defrosting: automatic
- Feet for levelling the device



INTERIOR TEMPERATURE RANGE
+4°C TO +10°C*



DYNAMIC
COOLING



INTERNAL UNIT



REFRIGERANT
R-449A



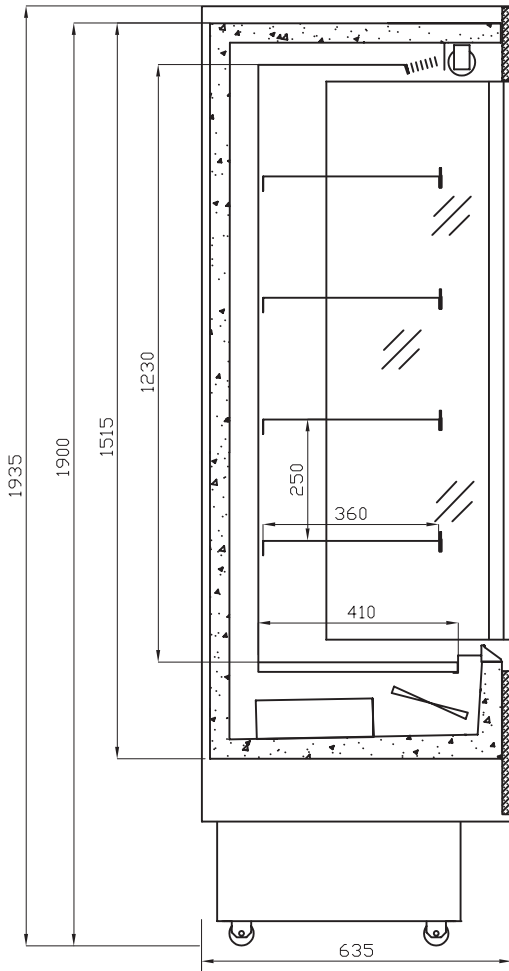
OPTIONAL EQUIPMENT

- Shelf limiter
- Different interior colours
- Additional painted shelf
- Additional shelf clip, lacquered
- Shelves made of acid-resistant stainless steel
- Shelf support made of acid-resistant stainless steel
- Multideck guides made of acid-resistant stainless steel
- Back made of acid-resistant stainless steel
- Hook slat
- Additional hook
- Double-sided mirror on both sides
- Electronic temperature recorder (with software)
- Set of castors
- Bottom (element under the evaporator) made of acid-resistant stainless steel

*At an ambient temperature of +25°C and humidity of 60%

** not included in the version for vegetables and fruit

***If the appliance is intended to display fruit or vegetables, it is MANDATORY to provide the information in your order



MODULES

SYMBOL	LENGTH INCLUDING SIDES** [MM]	DISPLAY AREA [m2]	UNIT	WEIGHT [kg]
R-09 Bergamo	990	1,71	+	175
R-12 Bergamo	1200	2,1	+	185
R-14 Bergamo	1400	2,39	+	195



*At an ambient temperature of +25°C and humidity of 60%
 **Side thickness 40 mm

R-BERGAMO



www.cold.pl



cold@cold.pl



+48 14 611 11 78

R-KREDENS (R-P)/(R-B)



STANDARD EQUIPMENT

- Energy-efficient LED lighting
- Preparation for operation with an outdoor unit
- Ecological polyurethane foam insulation
- Wooden casing
- Label holders
- Night curtain
- Condensate drain to the sewers
- Defrosting: automatic
- Feet for levelling the device
- Interior made of acid-resistant stainless steel
- Uncooled compartment
- Hook slat



INTERIOR TEMPERATURE RANGE
+4°C TO +10°C*



DYNAMIC
COOLING



EXTERNAL UNIT

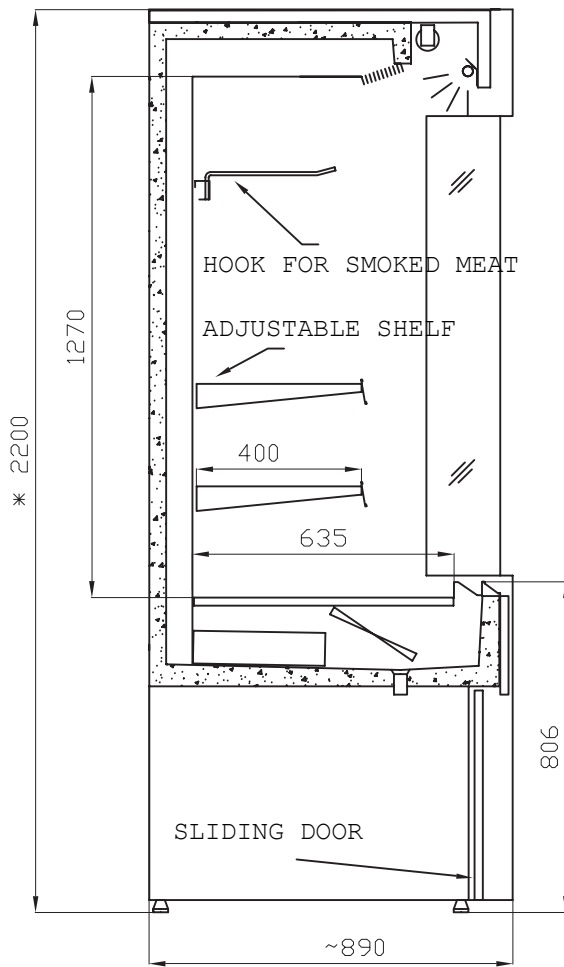


REFRIGERANT
R-449A



OPTIONAL EQUIPMENT

- Different interior colours
- Additional hook
- Electronic temperature recorder (with software)
- Evaporator heaters



MODULES

SYMBOL	LENGTH INCLUDING SIDES** [MM]	DISPLAY AREA [m2]	UNIT	WEIGHT [kg]
R-15 P Kredens	1500	2,05	–	350
R-18 P Kredens	1800	2,5	–	395
R-20 B Kredens	2000	1,88	–	415



Cooling capacity requirements at $t_0 = -15^{\circ}\text{C}$
 For R-P: 1300 W/linear meter
 For R-B: 1200 W/linear meter

*At an ambient temperature of $+25^{\circ}\text{C}$ and humidity of 60%

KREDENS (R-P)/(RB)



www.cold.pl



cold@cold.pl



+48 14 611 11 78

YOKOHAMA



STANDARD EQUIPMENT

- Energy-efficient LED lighting
- Energy-saving refrigerating unit
- Sides made of sheet metal (thickness 40 mm) with single glass
- Ecological polyurethane foam insulation
- Interior and shelves made of galvanised sheet metal (black powder-coated)
- Display shelves with adjustable height and suspension angle
- Label holders
- Night curtain
- Front bumper – a choice of colours (grey, black, red)
- Electronic temperature controller with digital display
- Condensate drain to the condensate container
- Defrosting: automatic
- Feet for levelling the device



INTERIOR TEMPERATURE RANGE
+4°C TO +10°C*



DYNAMIC
COOLING



INTERNAL UNIT

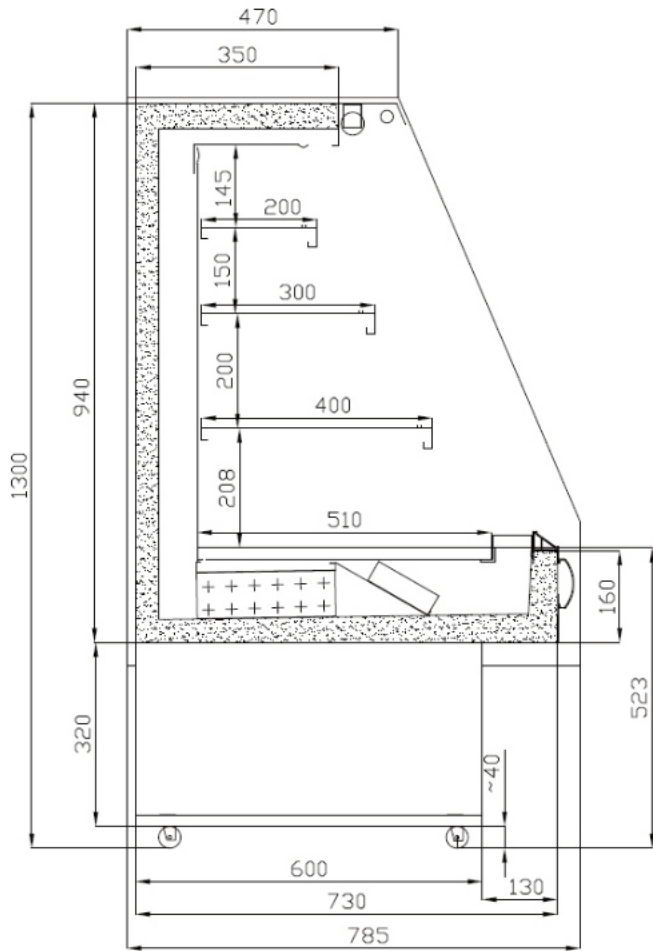


REFRIGERANT
R-449A



OPTIONAL EQUIPMENT

- Shelf limiter
- Additional shelf illumination
- Different interior colours
- Set of castors
- Automatic condensate evaporation**



MODULES

SYMBOL	ILOŚĆ PÓLEK	DISPLAY AREA [m ²]	UNIT	WEIGHT [kg]
R-12 Yoko	3	1,65	+	190
R-24 Yoko	3	3,30	+	330



*At an ambient temperature of +25°C and humidity of 60%
 **Side thickness 40 mm



YOKOHAMA GLASS



STANDARD EQUIPMENT

- Energy-efficient LED lighting
- Energy-saving refrigerating unit
- Sides made of sheet metal (thickness 40 mm) with single glass
- Ecological polyurethane foam insulation
- Interior and shelves made of galvanised sheet metal (black powder-coated)
- Display shelves with adjustable height and suspension angle
- Label holders
- Night curtain
- Front bumper – a choice of colours (grey, black, red)
- Electronic temperature controller with digital display
- Condensate drain to the condensate container
- Defrosting: automatic
- Feet for levelling the device



INTERIOR TEMPERATURE RANGE
+4°C TO +10°C*



DYNAMIC
COOLING



INTERNAL UNIT

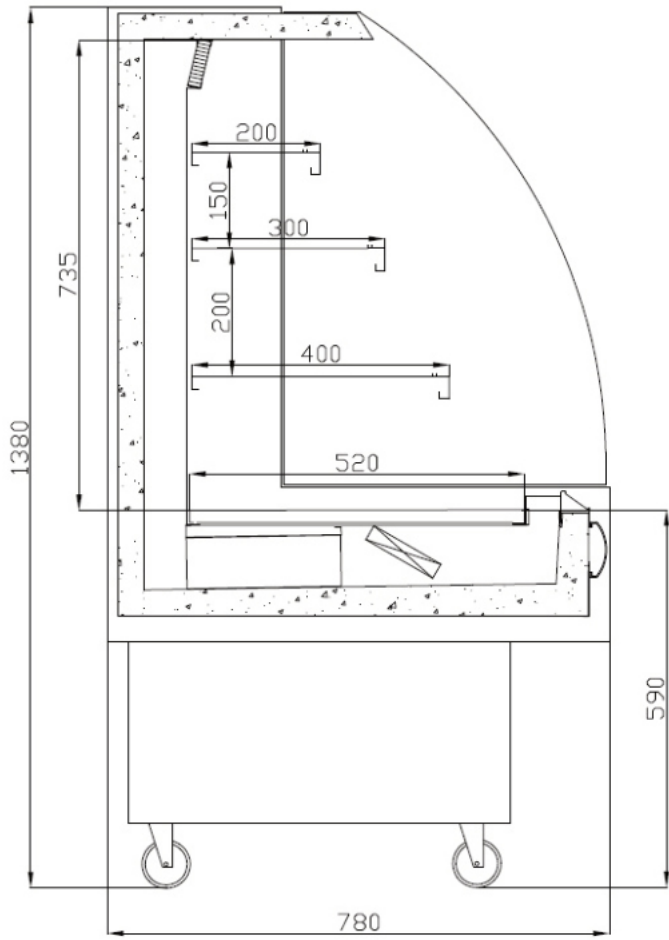


REFRIGERANT
R-449A



OPTIONAL EQUIPMENT

- Shelf limiter
- Additional shelf illumination
- Different interior colours
- Set of castors
- Automatic condensate evaporation**



MODULES

SYMBOL	NUMBER OF SHELVES	DISPLAY AREA [m ²]	UNIT	WEIGHT [kg]
R-12 Yoko GL	3	1,65	+	190

! *At an ambient temperature of +25°C and humidity of 60%
 **Side thickness 40 mm

YOKOHAMA ONE



STANDARD EQUIPMENT

- Energy-efficient LED lighting
- Energy-saving refrigerating unit
- Sides made of sheet metal (thickness 40 mm) with single glass
- Ecological polyurethane foam insulation
- Interior and shelves made of galvanised sheet metal (black powder-coated)
- Display shelves with adjustable height and suspension angle
- Label holders
- Front bumper – a choice of colours (grey, black, red)
- Electronic temperature controller with digital display
- Condensate drain to the condensate container
- Defrosting: automatic
- Sliding door with glass
- Feet for levelling the device



INTERIOR TEMPERATURE RANGE
+2°C TO +8°C*



DYNAMIC
COOLING



INTERNAL UNIT

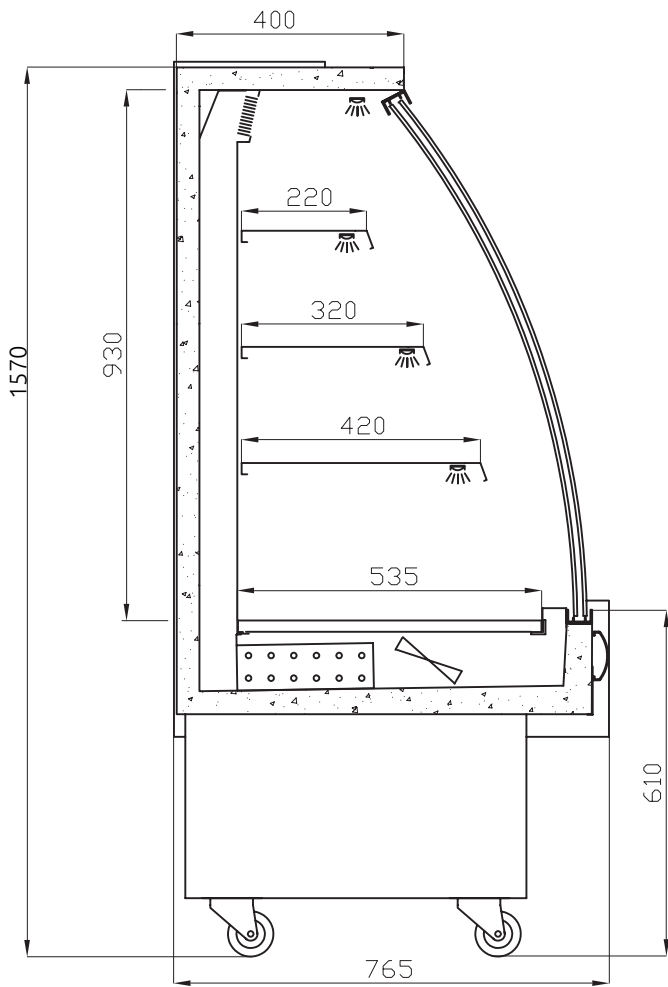


REFRIGERANT
R-449A



OPTIONAL EQUIPMENT

- Shelf limiter
- Different interior colours
- Set of castors
- Automatic condensate evaporation**
- Additional shelf illumination



MODULES

SYMBOL	NUMBER OF SHELVES	DISPLAY AREA [m ²]	UNIT	WEIGHT [kg]
R-12 One	3	1,88	+	225
R-15 One	3	2,35	+	252
R-18 One	3	2,84	+	300
R-24 One	3	3,76	+	380



*At an ambient temperature of +25°C and humidity of 60%
 **Side thickness 40 mm



ALABAMA (R-NA)



STANDARD EQUIPMENT

- Energy-efficient LED lighting
- Energy-saving refrigerating unit
- Plastic sides with a glass (colour selection possible)
- Ecological polyurethane foam insulation
- Label holders
- Front bumper – a choice of colours (grey, black, red)
- Electronic temperature controller with digital display
- Condensate drain to the condensate container
- Defrosting: automatic
- Feet for levelling the device
- Glass shelf system with adjustable angle of inclination
- Back made of acid-resistant stainless steel



INTERIOR TEMPERATURE RANGE
+4°C TO +10°C*



DYNAMIC
COOLING



INTERNAL UNIT



REFRIGERANT
R-449A



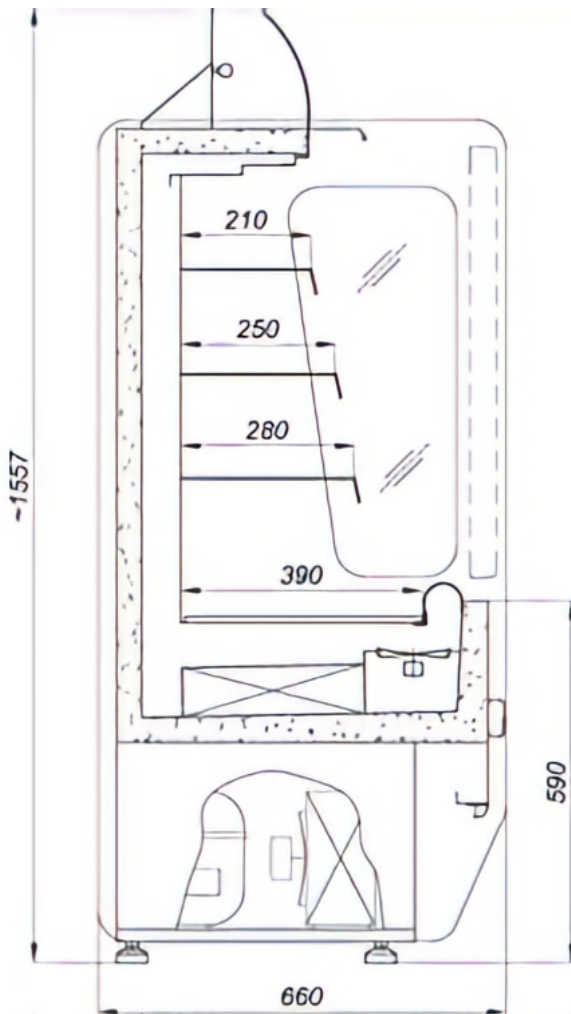
OPTIONAL EQUIPMENT

- Automatic condensate evaporation (heaters)**
- Illuminated top panel (colour selection possible)
- Different interior colours
- Shelves made of acid-resistant stainless steel

*At an ambient temperature of +25°C and humidity of 60%

** not included in the version for vegetables and fruit

***If the appliance is intended to display fruit or vegetables, it is MANDATORY to provide the information in your order



MODULES

SYMBOL	LENGTH INCLUDING SIDES** [MM]	DISPLAY AREA [m ²]	UNIT	WEIGHT [kg]
R 06 Na	615	0,70	+	82
R 07 Na	750	0,85	+	95
R 09 Na	1080	1,11	+	124
R 12 Na	1240	1,44	+	145



*At an ambient temperature of +25°C and humidity of 60%



CROCO



STANDARD EQUIPMENT

- Energy-efficient LED lighting
- Energy-saving refrigerating unit
- Sides made of sheet metal with glass
- Ecological polyurethane foam insulation
- Label holders
- Electronic temperature controller with digital display
- Automatic condensate evaporation**
- Defrosting: automatic
- Feet for levelling the device
- Glass shelf system with adjustable angle of inclination
- Back made of acid-resistant stainless steel



INTERIOR TEMPERATURE RANGE
+4°C TO +10°C*



DYNAMIC
COOLING



INTERNAL UNIT

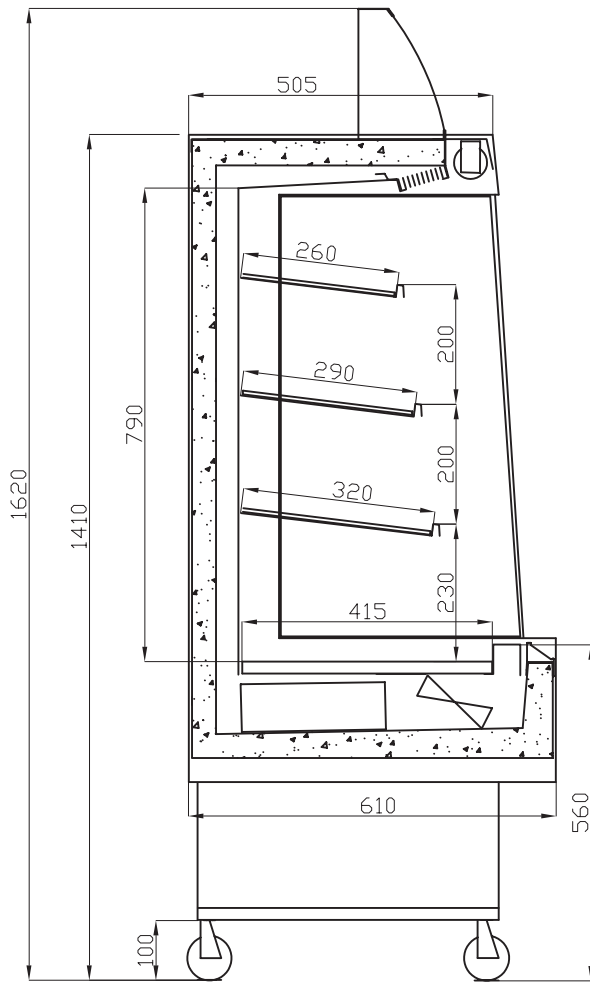


REFRIGERANT
R-449A



OPTIONAL EQUIPMENT

- Different interior colours
- Set of castors
- Advertising film applied according to the customer's design



MODULES

SYMBOL	LENGTH INCLUDING SIDES** [MM]	DISPLAY AREA [m ²]	UNIT	WEIGHT [kg]
R 07 Croco	770	1.10	+	100



*At an ambient temperature of +25°C and humidity of 60%

OKLAHOMA R-N



STANDARD EQUIPMENT

- Energy-efficient LED lighting
- Energy-saving refrigerating unit
- Plastic sides with a glass (colour selection possible)
- Ecological polyurethane foam insulation
- Interior and shelves made of galvanised sheet metal (white powder-coated)
- Display shelves with adjustable height and suspension angle
- Label holders
- Front bumper – a choice of colours (grey, black, red)
- Electronic temperature controller with digital display
- Condensate drain to the condensate container
- Defrosting: automatic
- Feet for levelling the device



INTERIOR TEMPERATURE RANGE
+4°C TO +10°C*



DYNAMIC
COOLING



INTERNAL UNIT

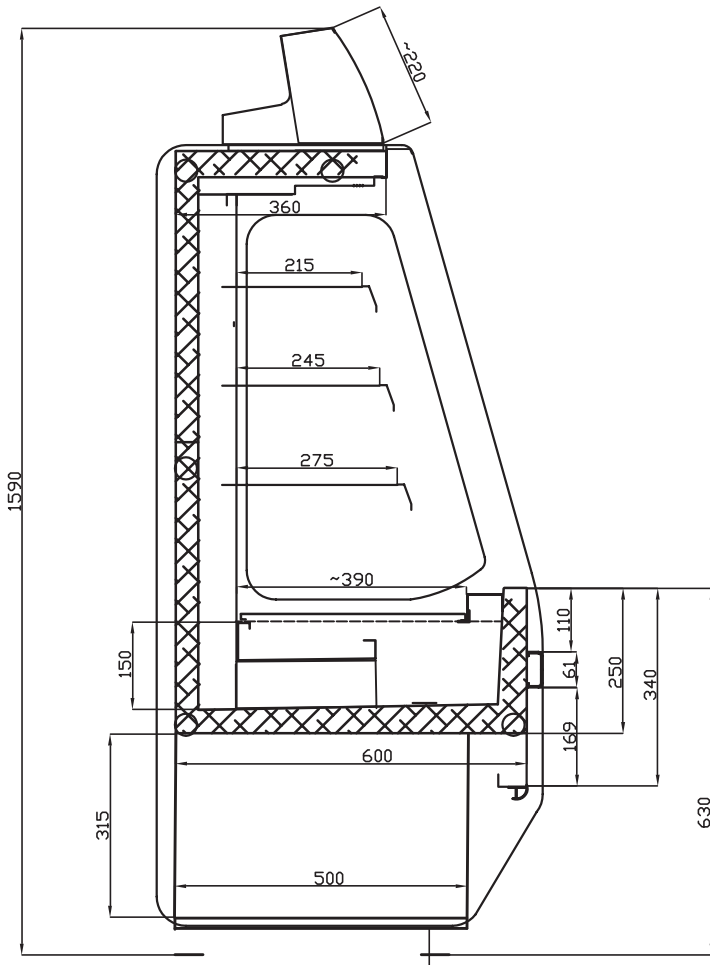


REFRIGERANT
R-449A



OPTIONAL EQUIPMENT

- Automatic condensate evaporation (heaters)**
- Illuminated top panel (colour selection possible)
- Different interior colours
- Shelves made of acid-resistant stainless steel
- Back made of acid-resistant stainless steel



MODULES

SYMBOL	LENGTH INCLUDING SIDES** [MM]	DISPLAY AREA [m ²]	UNIT	WEIGHT [kg]
R 06 N	615	0,70	+	82
R 07 N	750	0,85	+	95
R 09 N	1080	1,11	+	124
R 12 N	1240	1,44	+	145



*At an ambient temperature of +25°C and humidity of 60%



SYDNEY (R-NP)



STANDARD EQUIPMENT

- Energy-efficient LED lighting
- Energy-saving refrigerating unit
- Metal sides with glass
- Ecological polyurethane foam insulation
- Label holders
- Front bumper – a choice of colours (grey, black, red)
- Electronic temperature controller with digital display
- Condensate drain to the condensate container
- Automatic condensate evaporation
- Defrosting: automatic
- Feet for levelling the device
- Adjustable glass shelving system



INTERIOR TEMPERATURE RANGE
+4°C TO +10°C*



DYNAMIC
COOLING



INTERNAL UNIT

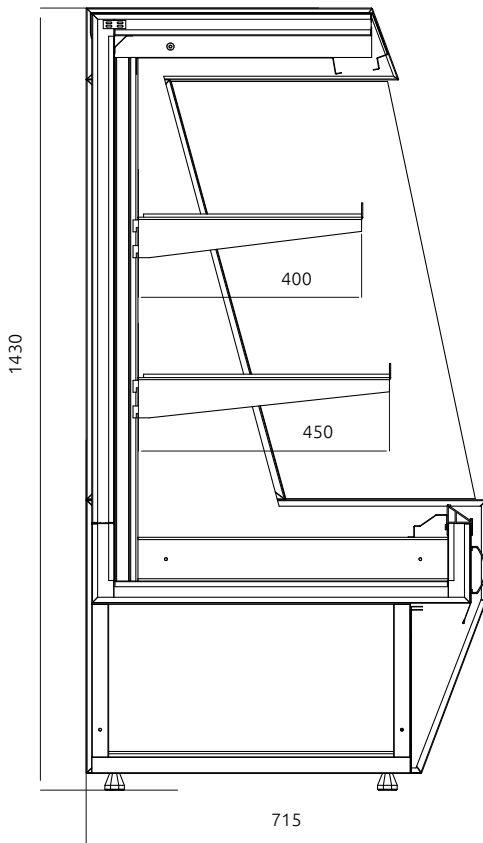


REFRIGERANT
R-449A



OPTIONAL EQUIPMENT

- Different interior colours
- Set of castors
- Advertising film applied according to the customer's design
- Back made of acid-resistant stainless steel
- Shelves made of acid-resistant stainless steel



MODULES

SYMBOL	LENGTH INCLUDING SIDES** [MM]	DISPLAY AREA [m ²]	UNIT	WEIGHT [kg]
R 06 Np	685	0,81	+	80



*At an ambient temperature of +25°C and humidity of 60%



COOLING multidecks

EVEREST series	181
EVEREST (R-E)	183
EVEREST (R-E/o)	185
EVEREST DR	187
EVEREST DR/o	189
EVEREST DP/o	191
EVEREST DP	193
BARI series	195
BARI (R-B)	197
BARI (R-B)-DR	199
BARI (R-B)/o	201
BARI (R-B)-DR/o	203
BARI (R-B) DR/W	205
REMO series	207
REMO (R)*655	209
REMO (R)*900	211
REMO (R)*655/o	213
REMO (R)/o	215
OTHER SERIES	217
PRAGA (R-P)	219
PRAGA (R-P)/o	221
TOKYO (R-SN)	223
OXFORD (R-PS)	225
SAPORO R-S/o	227
MILANO (R-M)	229
MONZA (R-M n/o)	231
EMPOLI	233
MONTANA	235
LISBONA (R-P DR)	237
LISBONA/o (R-PDR/o)	239
LISBONA/W (R-PDR/W)	241
VEGA (R-FA)	243
VEGA (R-F/o)	245

COOLING EQUIPMENT

Cooling multidecks

EVEREST series



KEY FEATURES OF THE SERIES



DYNAMIC COOLING



MULTIPLE IMPLEMENTATION VARIANTS



MODULAR SYSTEM



ENERGY-SAVING



PLUG IN / REMOTE



EVAPORATOR PIPE WALLS 0.8mm



OPTIONAL EQUIPMENT

- Illumination of the lower part of the multideck casing
- Illuminated top panel (colour selection possible)
- Shelf limiter
- Additional shelf illumination
- Different interior colours
- Front veneer finish
- Additional painted shelf
- Additional shelf clip, lacquered
- Shelves made of acid-resistant stainless steel
- Shelf support made of acid-resistant stainless steel
- Multideck guides made of acid-resistant stainless steel
- Back made of acid-resistant stainless steel
- Hook slat
- Additional hook
- Top mirror
- Electronic temperature recorder
- Reinforced shelves for beverages
- Evaporator heaters
- Automatic condensate evaporation (heaters)*
- Double-sided mirror on both sides**
- Plexiglass movable partition***
- Interior of the side, mirror plate H-17***
- LED lighting on the sides***
- Solid sides (thickness 40 mm), insulated****
- Bottom (element under the evaporator) made of acid-resistant stainless steel

*Everest (R-E) only, not included in the fruit and vegetable version

**Not included in Everest DR and DR/o

***Not included in Everest DR/o

**** Everest (R-E) and (R-E/o) only

KEY FEATURES OF THE SERIES



DYNAMIC COOLING



MULTIPLE IMPLEMENTATION VARIANTS



MODULAR SYSTEM



ENERGY-SAVING



PLUG IN / REMOTE



EVAPORATOR PIPE WALLS 0.8mm

EVEREST (R-E)



STANDARD EQUIPMENT

- Energy-efficient LED lighting
- Energy-saving refrigerating unit
- Sides made of sheet metal (40 mm thick) with a glazed unit (colour selection possible)
- Ecological polyurethane foam insulation
- Interior and shelves made of galvanised sheet metal (white powder-coated)
- Display shelves with adjustable height and suspension angle
- Label holders
- Night curtain
- Front bumper – a choice of colours (grey, black, red)
- Electronic temperature controller with digital display
- Condensate drain to the condensate container
- Defrosting: automatic
- Feet for levelling the device



INTERIOR TEMPERATURE RANGE
+4°C TO +10°C *



DYNAMIC COOLING



MODULAR SYSTEM



REFRIGERANT 449A



INTERNAL UNIT

ALTERNATIVE VERSIONS



MULTIDECK DEPTH



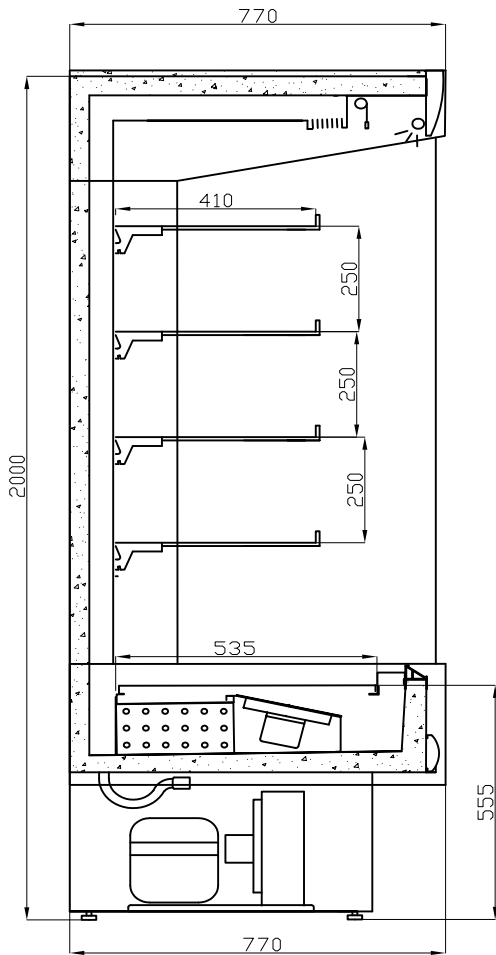
MULTIDECK HEIGHT



SLIDING DOOR



OPENING DOOR

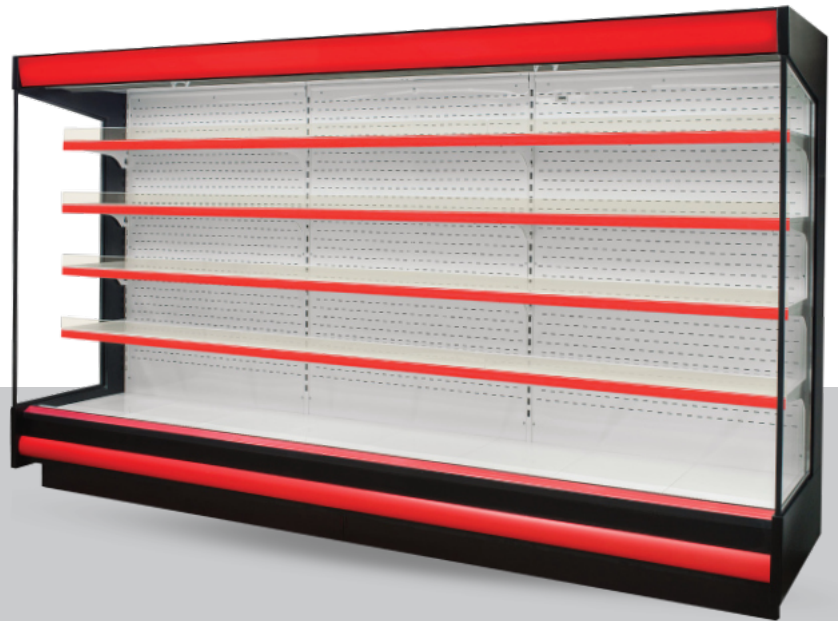


MODULES

SYMBOL	LENGTH INCLUDING SIDES** [MM]	DISPLAY AREA [m ²]	UNIT	WEIGHT [kg]
R-12 E	1215	2,73	+	255
R-15 E	1580	3,29	+	270
R-18 E	1805	3,9	+	340
R-20 E	2000	4,3	+	365
R-25 E	2560	5,33	+	480
R-30 E	3060	6,39	+	540

! *At an ambient temperature of +25°C and humidity of 60%
 **Side thickness 40 mm

EVEREST (R-E/o)



STANDARD EQUIPMENT

- Energy-efficient LED lighting
- Preparation for operation with an outdoor unit
- Sides made of sheet metal (40 mm thick) with a glazed unit (colour selection possible)
- Ecological polyurethane foam insulation
- Interior and shelves made of galvanised sheet metal (white powder-coated)
- Display shelves with adjustable height and suspension angle
- Label holders
- Night curtain
- Front bumper – a choice of colours (grey, black, red)
- Electronic temperature controller with digital display
- Condensate drain to the sewers
- Defrosting: automatic
- Feet for levelling the device
- Expansion valve



INTERIOR TEMPERATURE RANGE
+4°C TO +10°C *



DYNAMIC COOLING



MODULAR SYSTEM



REFRIGERANT 449A



EXTERNAL UNIT

ALTERNATIVE VERSIONS



MULTIDECK DEPTH



MULTIDECK HEIGHT



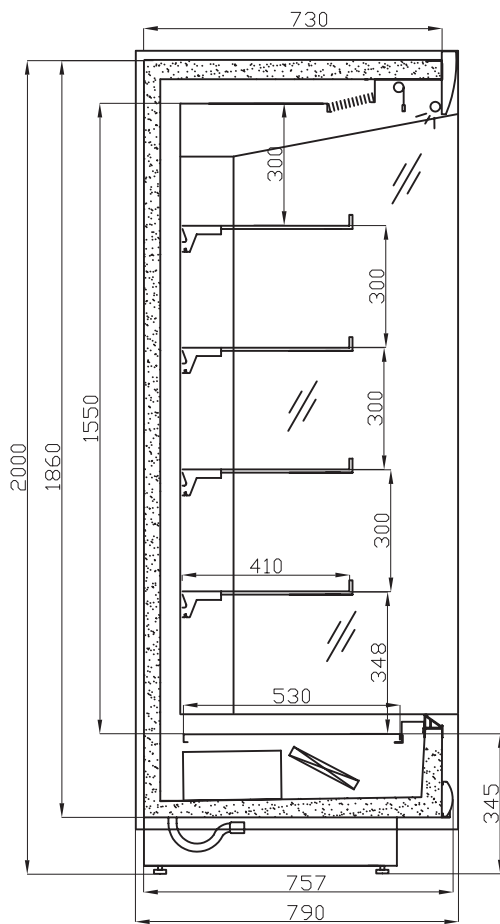
SLIDING DOOR



OPENING DOOR



CORNER VERSION



MODULES

SYMBOL	LENGTH INCLUDING SIDES** [MM]	DISPLAY AREA [m ²]	UNIT	WEIGHT [kg]
R-12 E/o	1215	2,73	–	210
R-15 E/o	1580	3,29	–	240
R-18 E/o	1805	3,9	–	300
R-20 E/o	2000	4,3	–	340
R-25 E/o	2560	5,33	–	470
R-30 E/o	3060	6,39	–	510
R-37 E/o	3830	7,96	–	560



Cooling capacity requirements at $t_0 = -15$ CQ 1300 W/linear meter

*At an ambient temperature of +25°C and humidity of 60%

**Side thickness 40 mm

EVEREST (R-E/o)



www.cold.pl



cold@cold.pl



+48 14 611 11 78

EVEREST DR



STANDARD EQUIPMENT

- Energy-efficient LED lighting
- Energy-saving refrigerating unit
- Solid sides (thickness 40 mm), insulated
- Ecological polyurethane foam insulation
- Interior and shelves made of galvanised sheet metal (white powder-coated)
- Display shelves with adjustable height and suspension angle
- Label holders
- Front bumper – a choice of colours (grey, black, red)
- Electronic temperature controller with digital display
- Automatic condensate evaporation
- Defrosting: automatic
- Sliding door with a glazed unit
- Door profiles – a choice of colours (grey/black)
- Feet for levelling the device



INTERIOR TEMPERATURE RANGE
+4°C TO +10°C *



DYNAMIC
COOLING



MODULAR
SYSTEM



REFRIGERANT
449A



INTERNAL UNIT



ALTERNATIVE VERSIONS



MULTIDECK
DEPTH



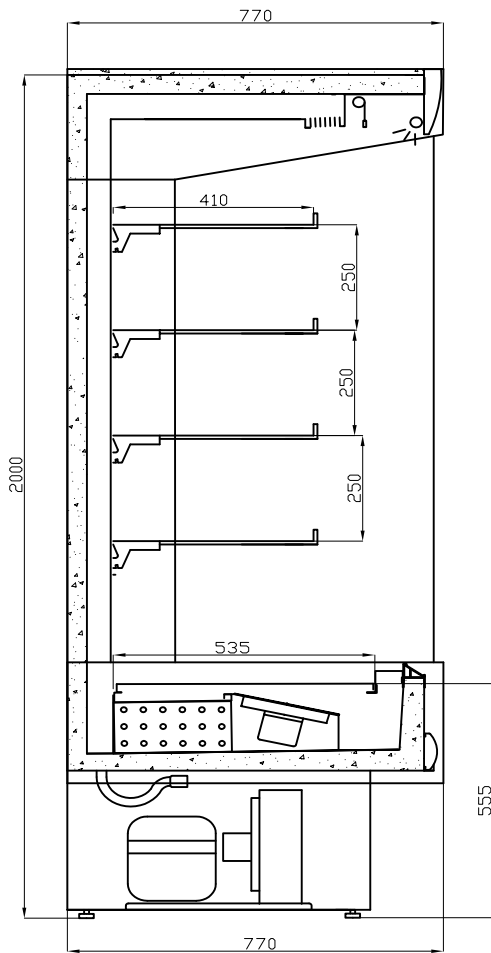
MULTIDECK
HEIGHT



SLIDING
DOOR



OPENING
DOOR



MODULES

SYMBOL	LENGTH INCLUDING SIDES** [MM]	DISPLAY AREA [m ²]	UNIT	NUMBER OF DOORS	WEIGHT [kg]
R-12 E DR	1215	2,73	+	2	225
R-15 E DR	1580	3,29	+	2	315
R-18 E DR	1805	3,9	+	2	375
R-20 E DR	2000	4,3	+	2	435
R-25 E DR	2560	5,33	+	3	495
R-30 E DR	3060	6,39	+	4	585
R-37 E DR	3830	7,96	+	5	610



*At an ambient temperature of +25°C and humidity of 60%

**Side thickness 40 mm

EVEREST DR



www.cold.pl



cold@cold.pl



+48 14 611 11 78

EVEREST DR/o



STANDARD EQUIPMENT

- Energy-efficient LED lighting
- Preparation for operation with an outdoor unit
- Solid sides (thickness 40 mm), insulated
- Ecological polyurethane foam insulation
- Interior and shelves made of galvanised sheet metal (white powder-coated)
- Display shelves with adjustable height and suspension angle
- Label holders
- Front bumper – a choice of colours (grey, black, red)
- Electronic temperature controller with digital display
- Condensate drain to the sewers
- Defrosting: automatic
- Sliding door with a glazed unit
- Door profiles – a choice of colours (grey/black)
- Feet for levelling the device
- Expansion valve



INTERIOR TEMPERATURE RANGE
+2°C TO +8°C *



DYNAMIC
COOLING



MODULAR
SYSTEM



REFRIGERANT
449A



EXTERNAL UNIT



ALTERNATIVE VERSIONS



MULTIDECK
DEPTH



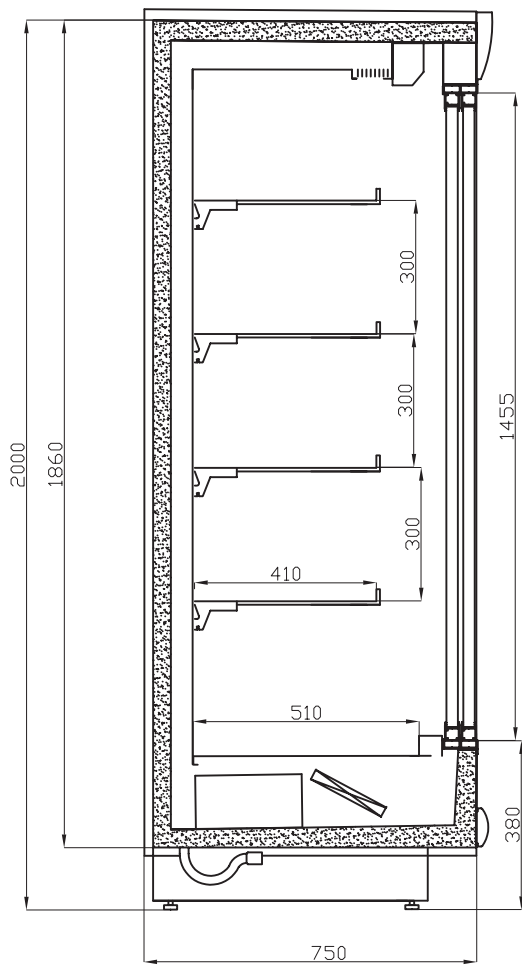
MULTIDECK
HEIGHT



SLIDING
DOOR



OPENING
DOOR



MODULES

SYMBOL	LENGTH INCLUDING SIDES** [MM]	DISPLAY AREA [m ²]	UNIT	NUMBER OF DOORS	WEIGHT [kg]
R-12 E DR/o	1215	2,73	-	2	190
R-15 E DR/o	1580	3,29	-	2	275
R-18 E DR/o	1805	3,9	-	2	345
R-20 E DR/o	2000	4,3	-	2	400
R-25 E DR/o	2560	5,33	-	3	545
R-30 E DR/o	3060	6,39	-	4	585
R-37 E DR/o	3830	7,96	-	5	640



Cooling capacity requirements at $t_0 = -15$ CQ 800 W/linear meter

*At an ambient temperature of +25°C and humidity of 60%

**Side thickness 40 mm

EVEREST DR/o



www.cold.pl



cold@cold.pl



+48 14 611 11 78

EVEREST DP/o



STANDARD EQUIPMENT

- Energy-efficient LED lighting
- Preparation for operation with an outdoor unit
- Solid sides (thickness 40 mm), insulated
- Interior and shelves made of galvanised sheet metal (white powder-coated)
- Display shelves with adjustable height and suspension angle
- Label holders
- Front bumper – a choice of colours (grey, black, red)
- Condensate drain to the sewers
- Defrosting: automatic
- Opening door, self-closing
- Feet for levelling the device
- Expansion valve



INTERIOR TEMPERATURE RANGE
+2°C TO +8°C *



DYNAMIC COOLING



MODULAR SYSTEM



REFRIGERANT 449A



EXTERNAL UNIT

ALTERNATIVE VERSIONS



MULTIDECK DEPTH



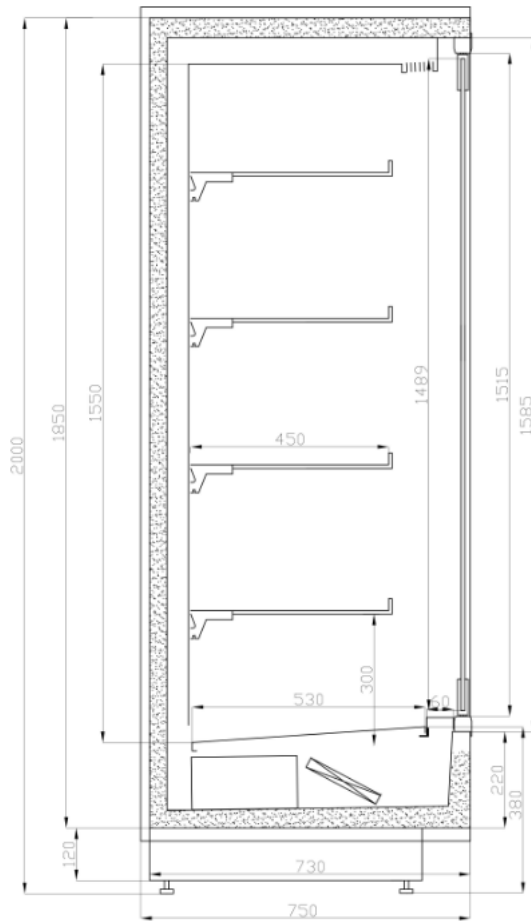
MULTIDECK HEIGHT



SLIDING DOOR



OPENING DOOR



MODULES

SYMBOL	LENGTH INCLUDING SIDES** [MM]	DISPLAY AREA [m ²]	UNIT	NUMBER OF DOORS	WEIGHT [kg]
R-19 E DP/o	1930	3,9	-	3	355
R-25 E DP/o	2560	5,33	-	4	465
R-37 E DP/o	3810	7,96	-	6	560



Cooling capacity requirements at $t_0 = -15\text{ }^\circ\text{C}$: 900 W/linear meter

*At an ambient temperature of +25°C and humidity of 60%

**Side thickness 40 mm

EVEREST DP/o



www.cold.pl



cold@cold.pl



+48 14 611 11 78

EVEREST DP



STANDARD EQUIPMENT

- Energy-efficient LED lighting
- Energy-saving refrigerating unit
- Solid sides (thickness 40 mm), insulated (sides with glazing - option)
- Interior and shelves made of galvanized sheet metal (white powder-coated)
- Display shelves with adjustable height and suspension angle
- Label holders
- Front bumper – a choice of colours (grey, black, red)
- Condensate drain to the sewers
- Defrosting: automatic
- Opening door, self-closing
- Feet for levelling the device
- Expansion valve



INTERIOR TEMPERATURE RANGE +2°C TO +8°C *



DYNAMIC COOLING



MODULAR SYSTEM



REFRIGERANT 449A



INTERNAL UNIT

ALTERNATIVE VERSIONS



MULTIDECK DEPTH



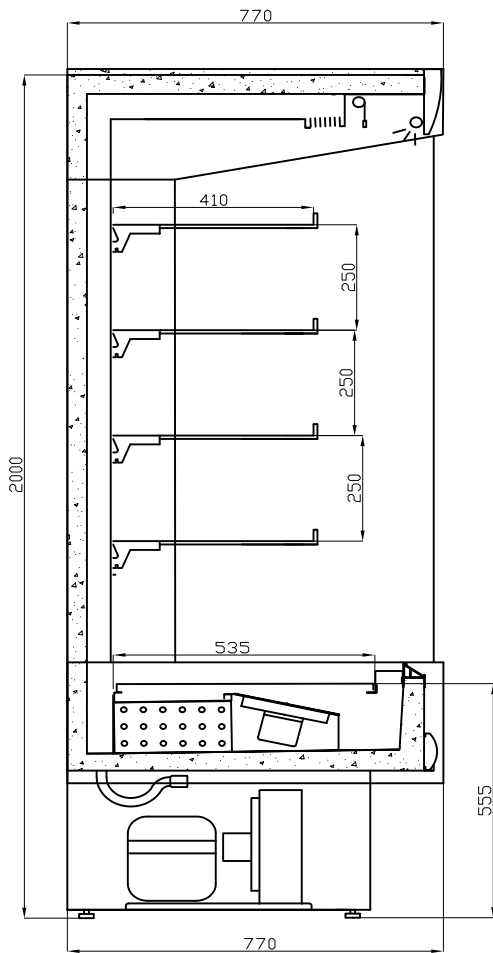
MULTIDECK HEIGHT



SLIDING DOOR



OPENING DOOR



MODULES

SYMBOL	LENGTH INCLUDING SIDES** [MM]	DISPLAY AREA [m ²]	UNIT	NUMBER OF DOORS	WEIGHT [kg]
R-12 E DP	1220	2,73	+	2	215
R-15 E DP	1580	3,29	+	2	300
R-19 E DP	1930	3,90	+	3	390
R-25 E DP	2560	5,33	+	4	505



Cooling capacity requirements at $t_0 = -15^{\circ}\text{C}$: 900 W/linear meter

*At an ambient temperature of $+25^{\circ}\text{C}$ and humidity of 60%

**Side thickness 40 mm

EVEREST DP



www.cold.pl



cold@cold.pl



+48 14 611 11 78

COOLING EQUIPMENT

Cooling multidecks

BARI series



KEY FEATURES OF THE SERIES



DYNAMIC COOLING



MULTIPLE IMPLEMENTATION VARIANTS



MODULAR SYSTEM



ENERGY-SAVING



PLUG IN / REMOTE



EVAPORATOR PIPE WALLS 0.8mm



OPTIONAL EQUIPMENT

- Automatic condensate evaporation (heaters)*|**|***
- Shelf limiter
- Additional shelf illumination
- Different interior colours
- Front veneer finish
- Additional painted shelf
- Additional shelf clip, lacquered
- Shelves made of acid-resistant stainless steel
- Shelf support made of acid-resistant stainless steel
- Multideck guides made of acid-resistant stainless steel
- Back made of acid-resistant stainless steel
- Hook slat
- Additional hook
- Double-sided mirror on both sides
- Top mirror
- Electronic temperature recorder (with software)
- Plexiglass movable partition
- Interior of the side, mirror plate H-17
- LED lighting on the sides
- Evaporator heaters
- Bottom (element under the evaporator) made of acid-resistant stainless steel

* Bari (R-B) model only

** not included in the version for vegetables and fruit

***If the appliance is intended to display fruit or vegetables, it is MANDATORY to provide the information in your order

KEY FEATURES OF THE SERIES



DYNAMIC COOLING



MULTIPLE IMPLEMENTATION VARIANTS



MODULAR SYSTEM



ENERGY-SAVING



PLUG IN / REMOTE



LED LIGHTING

BARI (R-B)



STANDARD EQUIPMENT

- Energy-efficient LED lighting
- Energy-saving refrigerating unit
- Solid sides (thickness 40mm), insulated
- Ecological polyurethane foam insulation
- Interior and shelves made of galvanised sheet metal (white powder-coated)
- Display shelves with adjustable height and suspension angle
- Label holders
- Night curtain
- Electronic temperature controller with digital display
- Condensate drain to the condensate container
- Defrosting: automatic
- Feet for levelling the device
- 4 rows of shelves



INTERIOR TEMPERATURE RANGE
+4°C TO +10°C*



DYNAMIC COOLING



INTERNAL UNIT



REFRIGERANT R-449A

ALTERNATIVE VERSIONS



MULTIDECK DEPTH



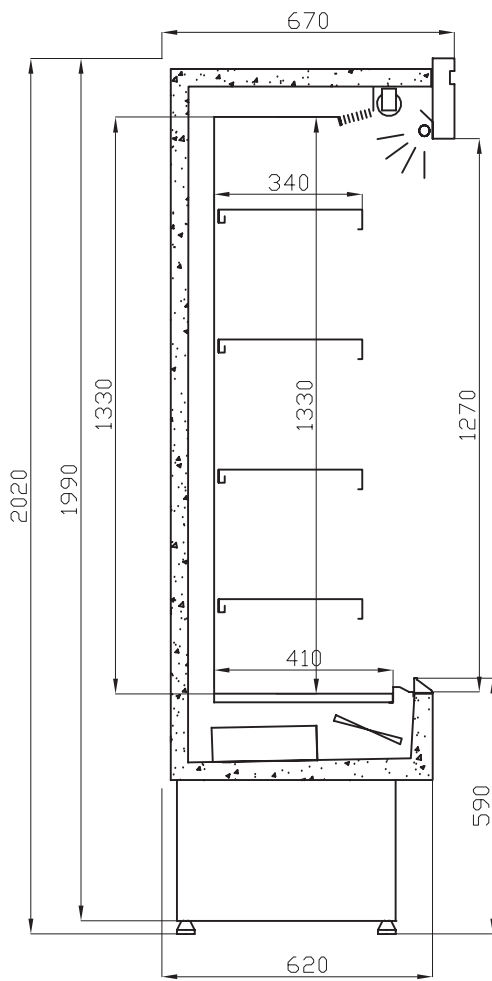
MULTIDECK HEIGHT



SLIDING DOOR



OPENING DOOR



MODULES

SYMBOL	LENGTH INCLUDING SIDES** [MM]	DISPLAY AREA [m ²]	UNIT	WEIGHT [kg]
R-12 B	1210	1,78	+	195
R-14 B	1410	2,1	+	205
R-16 B	1610	2,5	+	240
R-18 B	1810	2,8	+	295
R-20 B	2010	3,1	+	310
R-25 B	2570	4	+	335
R-30 B	3070	4,6	+	480



*At an ambient temperature of +25°C and humidity of 60%

**Side thickness 40 mm

BARI (R-B)


www.cold.pl

cold@cold.pl

[+48 14 611 11 78](tel:+48146111178)

BARI (R-B)-DR



STANDARD EQUIPMENT

- Energy-efficient LED lighting
- Energy-saving refrigerating unit
- Solid sides (thickness 40 mm), insulated
- Ecological polyurethane foam insulation
- Interior and shelves made of galvanised sheet metal (white powder-coated)
- Display shelves with adjustable height and suspension angle
- Label holders
- Electronic temperature controller with digital display
- Automatic condensate evaporation
- Defrosting: automatic
- Sliding door with a glazed unit
- Door profiles – a choice of colours (grey/black)
- Feet for levelling the device
- 4 rows of shelves



INTERIOR TEMPERATURE RANGE
+2°C TO +8°C*



DYNAMIC
COOLING



INTERNAL UNIT



REFRIGERANT
R-449A



ALTERNATIVE VERSIONS



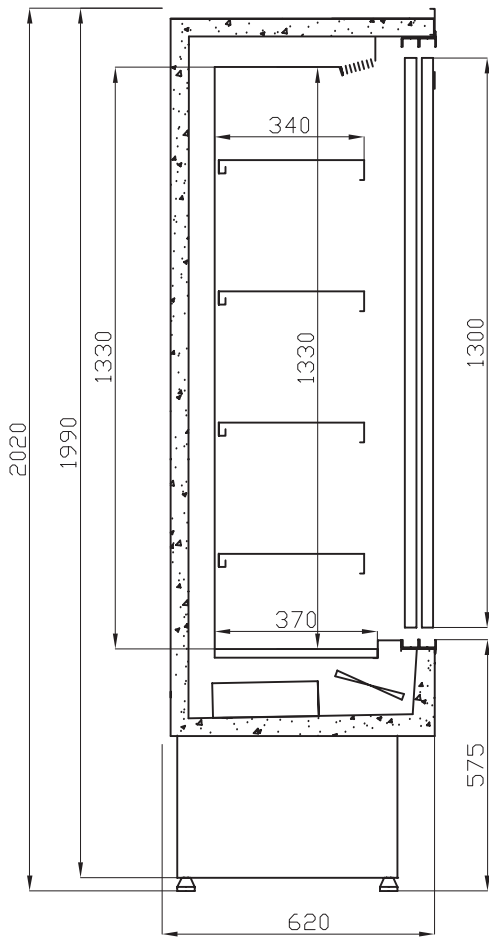
MULTIDECK
DEPTH



MULTIDECK
HEIGHT



OPENING
DOOR



MODULES

SYMBOL	LENGTH INCLUDING SIDES** [MM]	DISPLAY AREA [m ²]	UNIT	NUMBER OF DOORS	WEIGHT [kg]
R-12 B-DR	1210	1,73	+	2	215
R-14 B-DR	1410	2,05	+	2	225
R-16 B-DR	1610	2,45	+	2	275
R-18 B-DR	1810	2,75	+	2	320
R-20 B-DR	2010	3,05	+	2	345
R-25 B-DR	2570	3,95	+	3	425
R-30 B-DR	3070	4,6	+	4	525



*At an ambient temperature of +25°C and humidity of 60%

**Side thickness 40 mm

BARI (R-B)-DR



www.cold.pl



cold@cold.pl



+48 14 611 11 78

BARI (R-B)/o



STANDARD EQUIPMENT

- Energy-efficient LED lighting
- Preparation for operation with an outdoor unit
- Solid sides (thickness 40mm), insulated
- Ecological polyurethane foam insulation
- Interior and shelves made of galvanised sheet metal (white powder-coated)
- Display shelves with adjustable height and suspension angle
- Label holders
- Night curtain
- Electronic temperature controller with digital display
- Condensate drain to the sewers
- Defrosting: automatic
- Feet for levelling the device
- 4 rows of shelves
- Expansion valve



INTERIOR TEMPERATURE RANGE
+4°C TO +10°C*



DYNAMIC
COOLING



EXTERNAL UNIT



REFRIGERANT
R-449A



ALTERNATIVE VERSIONS



MULTIDECK
DEPTH



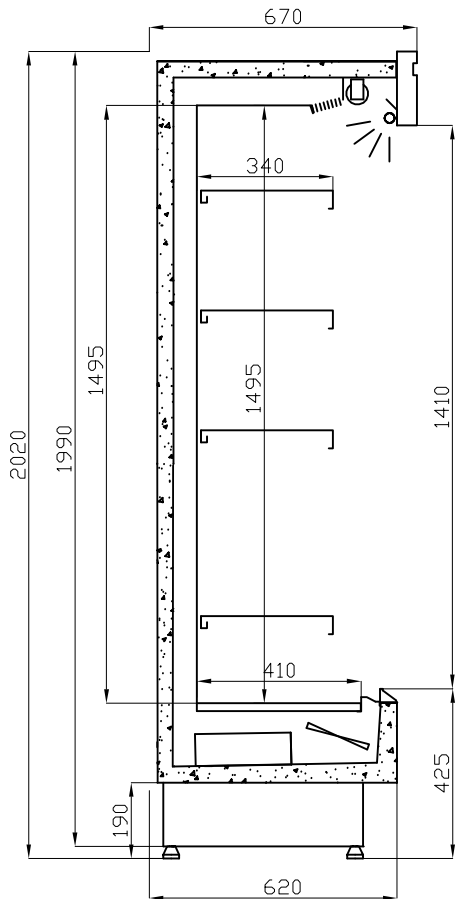
MULTIDECK
HEIGHT



SLIDING
DOOR



OPENING
DOOR



MODULES

SYMBOL	LENGTH INCLUDING SIDES** [MM]	DISPLAY AREA [m ²]	UNIT	WEIGHT [kg]
R-12 B/o	1210	1,78	–	160
R-14 B/o	1410	2,1	–	170
R-16 B/o	1610	2,5	–	200
R-18 B/o	1810	2,8	–	260
R-20 B/o	2010	3,1	–	275
R-25 B/o	2570	4	–	300
R-30 B/o	3070	4,6	–	430
R-37 B/o	3870	5,5	–	535



Cooling capacity requirements at $t_0 = -15\text{ °C}$: 1200 W/linear meter

*At an ambient temperature of +25°C and humidity of 60%

**Side thickness 40 mm

BARI (R-B)/o



www.cold.pl



cold@cold.pl



+48 14 611 11 78

BARI (R-B)-DR/o



STANDARD EQUIPMENT

- Energy-efficient LED lighting
- Preparation for operation with an outdoor unit
- Solid sides (thickness 40 mm), insulated
- Ecological polyurethane foam insulation
- Interior and shelves made of galvanised sheet metal (white powder-coated)
- Display shelves with adjustable height and suspension angle
- Label holders
- Electronic temperature controller with digital display
- Condensate drain to the sewers
- Defrosting: automatic
- Sliding door with a glazed unit
- Door profiles – a choice of colours (grey/black)
- Feet for levelling the device
- 4 rows of shelves
- Expansion valve



INTERIOR TEMPERATURE RANGE
+2°C TO +8°C*



DYNAMIC
COOLING



EXTERNAL UNIT



REFRIGERANT
R-449A



ALTERNATIVE VERSIONS



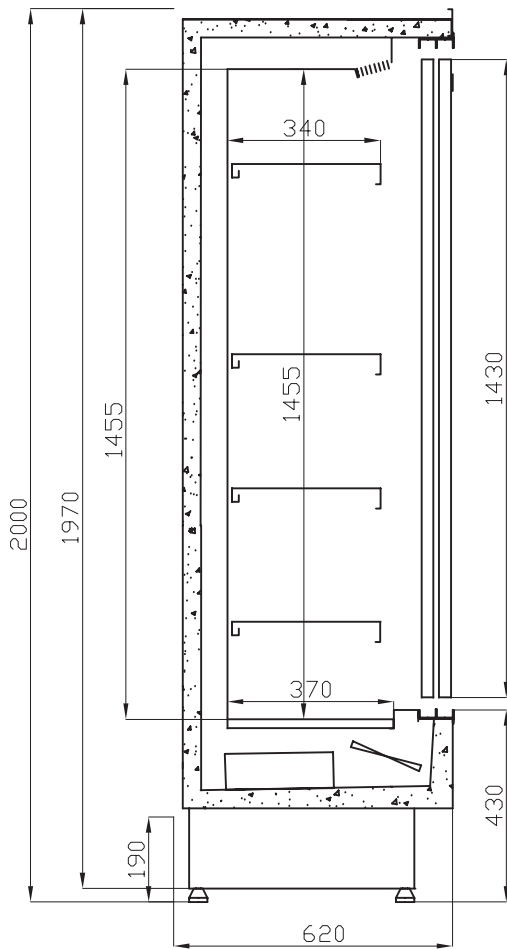
MULTIDECK
DEPTH



MULTIDECK
HEIGHT



OPENING
DOOR



MODULES

SYMBOL	LENGTH INCLUDING SIDES* [MM]	DISPLAY AREA [m ²]	UNIT	NUMBER OF DOORS	WEIGHT [kg]
R-12 B-DR/o	1210	1,73	-	2	180
R-14 B-DR/o	1410	2,05	-	2	190
R-16 B-DR/o	1610	2,45	-	2	245
R-18 B-DR/o	1810	2,75	-	2	285
R-20 B-DR/o	2010	3,05	-	2	310
R-25 B-DR/o	2570	3,95	-	3	375
R-30 B-DR/o	3070	4,6	-	4	470
R-37 B-DR/o	3870	5,5	-	5	595



Cooling capacity requirements at $t_0 = -15$ °C: 800 W/linear meter

*At an ambient temperature of +25°C and humidity of 60%

**Side thickness 40 mm

BARI (R-B)-DR/o



BARI (R-B) DR/W



STANDARD EQUIPMENT

- Energy-efficient LED lighting
- Preparation for operation with an outdoor unit
- Solid sides (thickness 40 mm), insulated
- Ecological polyurethane foam insulation
- Interior and shelves made of galvanised sheet metal (white powder-coated)
- Display shelves with adjustable height and suspension angle
- Label holders
- Electronic temperature controller with digital display
- Automatic condensate evaporation
- Defrosting: automatic
- Sliding door with a glazed unit
- Door profiles – a choice of colours (grey/black)
- Feet for levelling the device
- Expansion valve



INTERIOR TEMPERATURE RANGE
+4°C TO +10°C*



DYNAMIC
COOLING



EXTERNAL UNIT



REFRIGERANT
R-449A



ALTERNATIVE VERSIONS



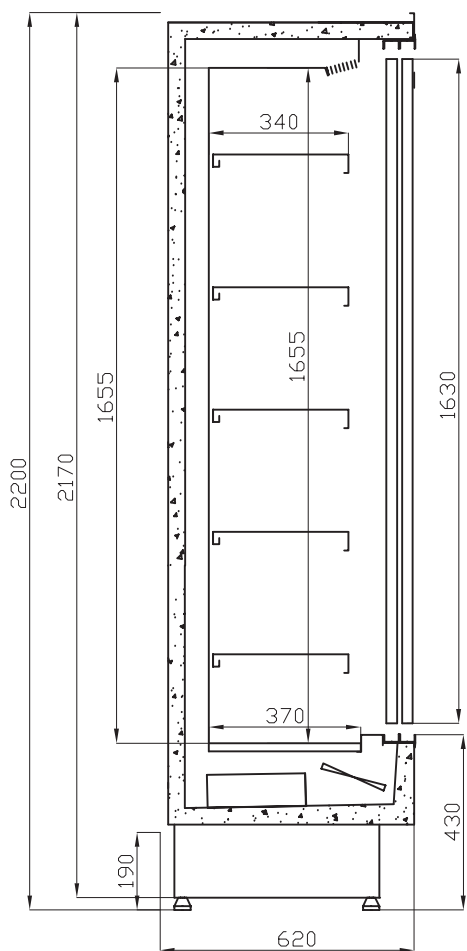
MULTIDECK
DEPTH



MULTIDECK
HEIGHT



OPENING
DOOR



MODULES

SYMBOL	LENGTH INCLUDING SIDES** [MM]	DISPLAY AREA [m ²]	UNIT	NUMBER OF DOORS	WEIGHT [kg]
R-16 B-DR/W	1610	2,45	–	2	255
R-18 B-DR/W	1810	2,75	–	2	315
R-20 B-DR/W	2010	3,05	–	2	325
R-25 B-DR/W	2570	3,95	–	3	345
R-30 B-DR/W	3070	4,60	–	4	540



Cooling capacity requirements at $t_0 = -15\text{ °C}$: 850 W/linear meter

*At an ambient temperature of +25°C and humidity of 60%

**Side thickness 40 mm

BARI (R-B)-DR/W



www.cold.pl



cold@cold.pl



+48 14 611 11 78

COOLING EQUIPMENT

Cooling multidecks

REMO series



KEY FEATURES OF THE SERIES



DYNAMIC
COOLING



ENERGY-SAVING



PLUG IN / REMOTE



LED LIGHTING



SIDES WITH
GLASS



EVAPORATOR
PIPE WALLS 0.8mm



OPTIONAL EQUIPMENT

- Shelf limiter
- Additional shelf illumination
- Different interior colours
- Front veneer finish
- Additional painted shelf
- Additional shelf clip, lacquered
- Shelves made of acid-resistant stainless steel
- Shelf support made of acid-resistant stainless steel
- Multideck guides made of acid-resistant stainless steel
- Back made of acid-resistant stainless steel
- Hook slat
- Additional hook
- Double-sided mirror on both sides
- Top mirror
- Electronic temperature recorder
- Plexiglass movable partition
- Evaporator heaters
- Bottom (element under the evaporator) made of acid-resistant stainless steel

KEY FEATURES OF THE SERIES



DYNAMIC COOLING



ENERGY-SAVING



PLUG IN / REMOTE



LED LIGHTING



SIDES WITH GLASS



EVAPORATOR PIPE WALLS 0.8mm

REMO (R)*655



STANDARD EQUIPMENT

- Energy-efficient LED lighting
- Energy-saving refrigerating unit
- Plastic sides with a glass (colour selection possible)
- Ecological polyurethane foam insulation
- Interior and shelves made of galvanised sheet metal (white powder-coated)
- Display shelves with adjustable height and suspension angle
- Label holders
- Night curtain
- Front bumper – possibility to select colours (grey, black, red)
- Electronic temperature controller with digital display
- Condensate drain to the condensate container
- Defrosting: automatic
- Feet for levelling the device
- 4 rows of shelves



INTERIOR TEMPERATURE RANGE
+4°C TO +10°C*



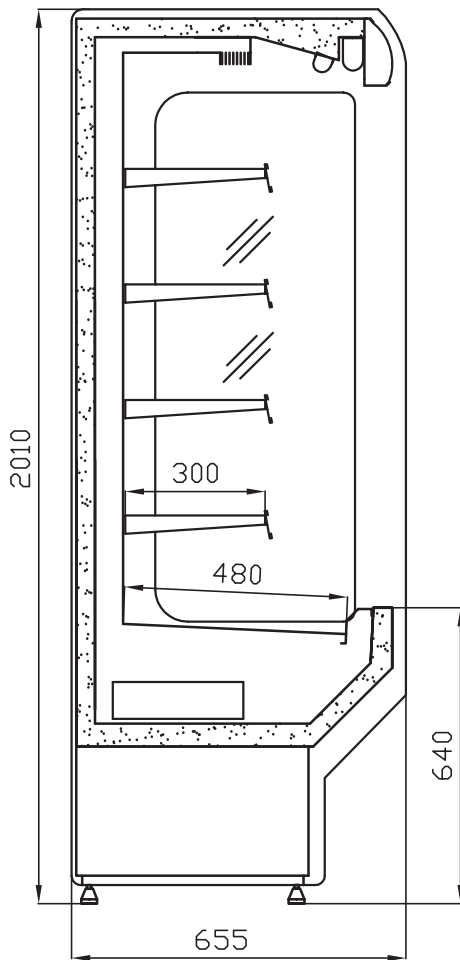
DYNAMIC
COOLING



INTERNAL UNIT



REFRIGERANT
R-449A



MODULES

SYMBOL	LENGTH INCLUDING SIDES** [MM]	DISPLAY AREA [m ²]	UNIT	WEIGHT [kg]
R-10 *655	1235	1,75	+	205
R-14 *655	1425	2,06	+	246
R-16 *655	1625	2,39	+	270
R-18 *655	1825	2,69	+	320
R-20 *655	2025	3,00	+	340
R-25 *655	2600	3,90	+	370
R-30 *655	3080	5,04	+	465



*At an ambient temperature of +25°C and humidity of 60%
**Side thickness 50 mm

REMO (R)*655


www.cold.pl

cold@cold.pl

[+48 14 611 11 78](tel:+48146111178)

REMO (R)*900



STANDARD EQUIPMENT

- Energy-efficient LED lighting
- Energy-saving refrigerating unit
- Plastic sides with a glass (colour selection possible)
- Ecological polyurethane foam insulation
- Interior and shelves made of galvanised sheet metal (white powder-coated)
- Display shelves with adjustable height and suspension angle
- Label holders
- Night curtain
- Front bumper – possibility to select colours (grey, black, red)
- Electronic temperature controller with digital display
- Condensate drain to the condensate container
- Defrosting: automatic
- Feet for levelling the device
- 4 rows of shelves



INTERIOR TEMPERATURE RANGE
+4°C TO +10°C*



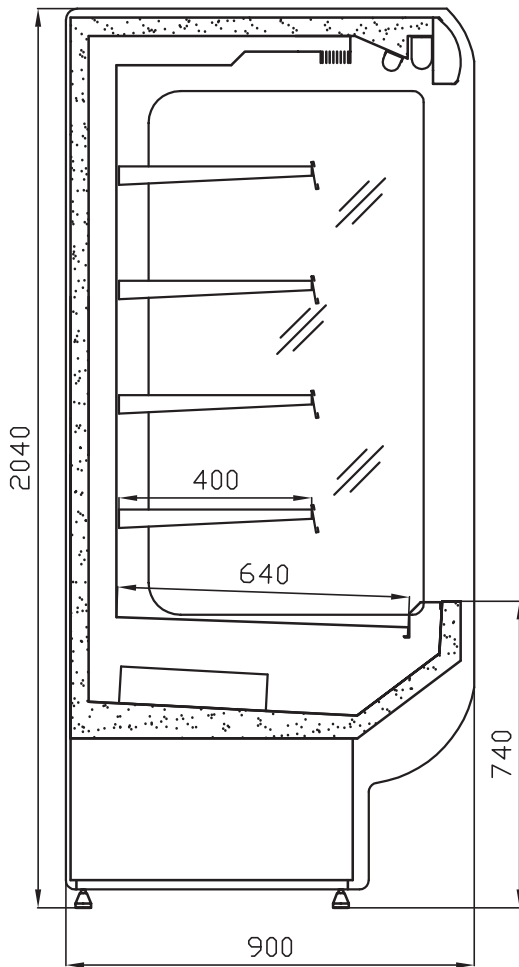
DYNAMIC
COOLING



INTERNAL UNIT



REFRIGERANT
R-449A



MODULES

SYMBOL	LENGTH INCLUDING SIDES** [MM]	DISPLAY AREA [m ²]	UNIT	WEIGHT [kg]
R-10*900	1235	2,52	+	205
R-14*900	1425	2,87	+	246
R-16*900	1625	3,31	+	270
R-18*900	1825	3,78	+	320
R-20*900	2025	4,22	+	340
R-25*900	2600	5,10	+	370
R-30*900	3080	6,72	+	465



*At an ambient temperature of +25°C and humidity of 60%
 **Side thickness 50 mm

REMO (R)*900



www.cold.pl



cold@cold.pl



+48 14 611 11 78

REMO (R)*655/o



STANDARD EQUIPMENT

- Energy-efficient LED lighting
- Preparation for operation with an outdoor unit
- Plastic sides with a glass (colour selection possible)
- Ecological polyurethane foam insulation
- Interior and shelves made of galvanised sheet metal (white powder-coated)
- Display shelves with adjustable height and suspension angle
- Label holders
- Night curtain
- Front bumper – possibility to select colours (grey, black, red)
- Electronic temperature controller with digital display
- Condensate drain to the sewers
- Defrosting: automatic
- Feet for levelling the device
- 4 rows of shelves
- Expansion valve



INTERIOR TEMPERATURE RANGE
+4°C TO +10°C*



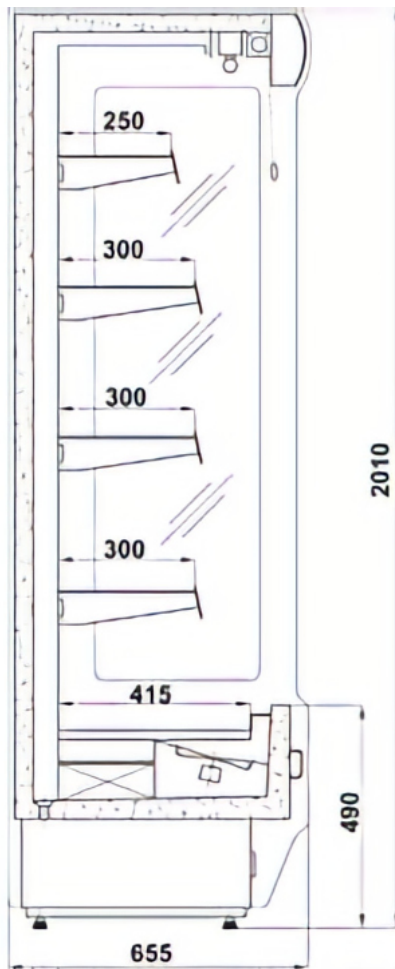
DYNAMIC
COOLING



EXTERNAL UNIT



REFRIGERANT
R-449A



MODULES

SYMBOL	LENGTH INCLUDING SIDES** [MM]	DISPLAY AREA [m ²]	UNIT	WEIGHT [kg]
R-10/o *655	1235	1,75	–	195
R-14/o *655	1425	2,06	–	210
R-16/o *655	1625	2,39	–	233
R-18/o *655	1825	2,69	–	295
R-20/o *655	2025	3,00	–	250
R-25/o *655	2600	3,90	–	276
R-30/o *655	3080	5,06	–	435



Cooling capacity requirements at $t_0 = -15$ °C: 1200 W/linear meter

*At an ambient temperature of +25°C and humidity of 60%

**Side thickness 50 mm

REMO (R)*655/o



REMO (R)/o



STANDARD EQUIPMENT

- Energy-efficient LED lighting
- Preparation for operation with an outdoor unit
- Plastic sides with a glass (colour selection possible)
- Ecological polyurethane foam insulation
- Interior and shelves made of galvanised sheet metal (white powder-coated)
- Display shelves with adjustable height and suspension angle
- Label holders
- Night curtain
- Front bumper – possibility to select colours (grey, black, red)
- Electronic temperature controller with digital display
- Condensate drain to the sewers
- Defrosting: automatic
- Feet for levelling the device
- 4 rows of shelves
- Expansion valve



INTERIOR TEMPERATURE RANGE
+4°C TO +10°C*



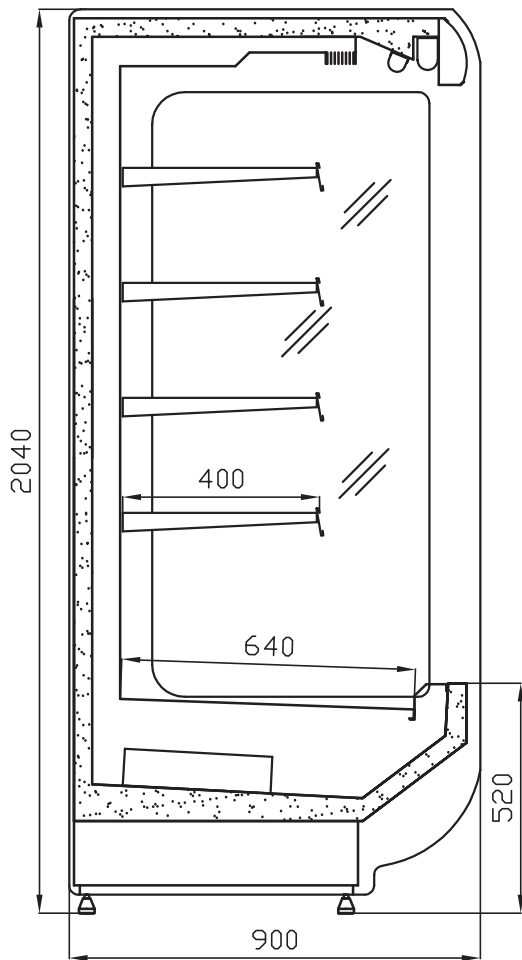
DYNAMIC
COOLING



EXTERNAL UNIT



REFRIGERANT
R-449A



MODULES

SYMBOL	LENGTH INCLUDING SIDES** [MM]	DISPLAY AREA [m ²]	UNIT	WEIGHT [kg]
R-10/o	1235	2,52	–	195
R-14/o	1425	2,87	–	210
R-16/o	1625	3,31	–	233
R-18/o	1825	3,78	–	295
R-20/o	2025	4,22	–	250
R-25/o	2600	5,10	–	276
R-30/o	3080	6,72	–	435



Cooling capacity requirements at $t_0 = -15\text{ °C}$: 1200 W/linear meter

*At an ambient temperature of +25°C and humidity of 60%

**Side thickness 50 mm

REMO (R)/o



COOLING EQUIPMENT

Cooling multidecks

OTHER SERIES



KEY FEATURES OF THE SERIES



DYNAMIC
COOLING



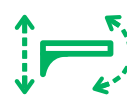
ENERGY-SAVING



LED LIGHTING



EVAPORATOR
PIPE WALLS 0.8mm



MOVABLE SHELVES



OPTIONAL EQUIPMENT

- Shelf limiter
- Additional shelf illumination
- Different interior colours
- Front veneer finish
- Additional painted shelf
- Additional shelf clip, lacquered
- Shelves made of acid-resistant stainless steel
- Shelf support made of acid-resistant stainless steel
- Multideck guides made of acid-resistant stainless steel
- Back made of acid-resistant stainless steel
- Hook slat*
- Additional hook*
- Double-sided mirror on both sides**
- Top mirror ***
- Mirror instead of one row of hanging shelves****
- Electronic temperature recorder (with software)
- Boxes for fruit and vegetables (min. shelf depth 780mm)
- Plexiglass movable partition
- Evaporator heaters
- Bottom (element under the evaporator) made of acid-resistant stainless steel

*Not included in the Vega multidecks

**Not included in the Vega, Milano, Monza, Empli and Lizbona multidecks

***Not included in the Empoli and Lizbona multidecks

****Vega only

*****Not included in the Vega, Montana, Tokyo and Empoli multidecks

KEY FEATURES OF THE SERIES



DYNAMIC COOLING



ENERGY-SAVING



LED LIGHTING



EVAPORATOR PIPE WALLS 0.8mm



MOVABLE SHELVES

PRAGA (R-P)



STANDARD EQUIPMENT

- Energy-efficient LED lighting
- Energy-saving refrigerating unit
- Metal sides, insulated with a glazed unit (colour selection possible)
- Ecological polyurethane foam insulation
- Interior and shelves made of galvanised sheet metal (white powder-coated)
- Display shelves with adjustable height and suspension angle
- Label holders
- Night curtain
- Front bumper – possibility to select colours (grey, black, red)
- Electronic temperature controller with digital display
- Condensate drain to the condensate container
- Defrosting: automatic
- Feet for levelling the device
- 4 rows of shelves



INTERIOR TEMPERATURE RANGE
+4°C TO +10°C*



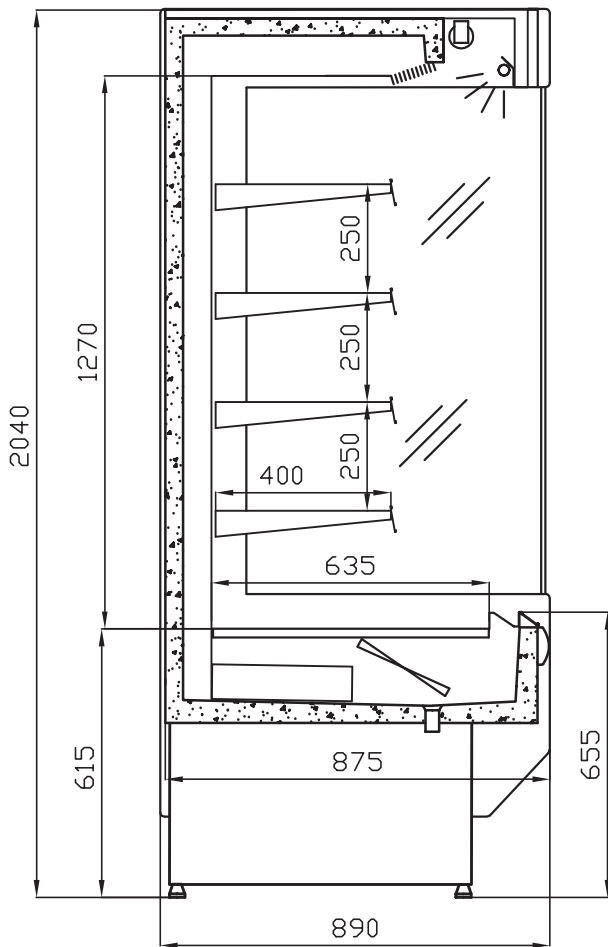
DYNAMIC
COOLING



INTERNAL UNIT



REFRIGERANT
R-449A



MODULES

SYMBOL	LENGTH INCLUDING SIDES** [MM]	DISPLAY AREA [m ²]	UNIT	WEIGHT [kg]
R-12 P	1235	2,73	+	250
R-14 P	1425	3,18	+	285
R-15 P	1425	3,18	+	293
R-16 P	1625	3,63	+	302
R-18 P	1825	4,08	+	333
R-20 P	2025	4,53	+	353
R-25 P	2580	5,59	+	385
R-30 P	3080	7,96	+	460
R-37 P	3850	9,57	+	560



*At an ambient temperature of +25°C and humidity of 60%
 **Side thickness 50 mm

PRAGA (R-P)



www.cold.pl



cold@cold.pl



+48 14 611 11 78

PRAGA (R-P)/o



STANDARD EQUIPMENT

- Energy-efficient LED lighting
- Preparation for operation with an outdoor unit
- Metal sides, insulated with a glazed unit (colour selection possible)
- Ecological polyurethane foam insulation
- Interior and shelves made of galvanised sheet metal (white powder-coated)
- Display shelves with adjustable height and suspension angle
- Label holders
- Night curtain
- Front bumper – a choice of colours (grey, black, red)
- Electronic temperature controller with digital display
- Condensate drain to the sewers
- Defrosting: automatic
- Feet for levelling the device
- 4 rows of shelves
- Expansion valve



INTERIOR TEMPERATURE RANGE
+4°C TO +10°C*



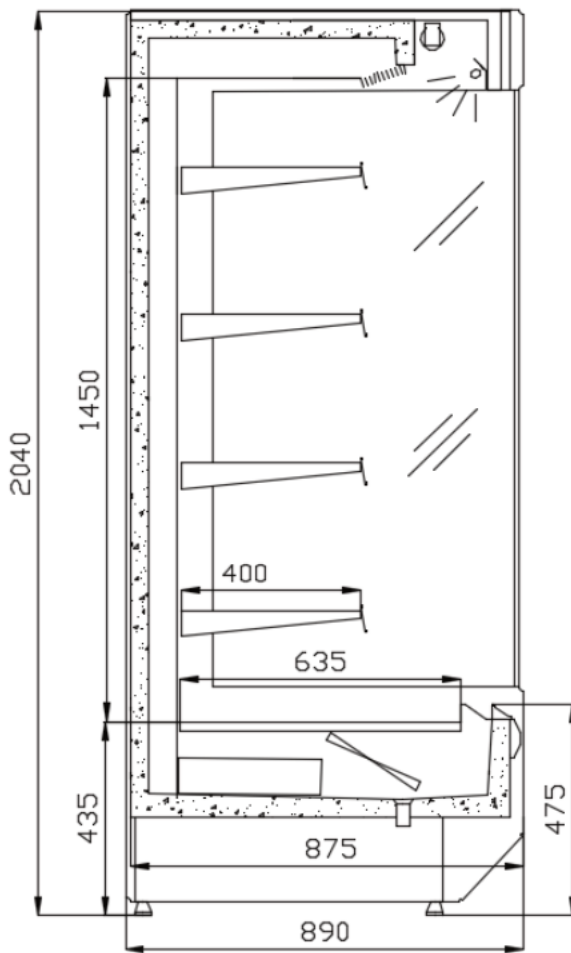
DYNAMIC
COOLING



EXTERNAL UNIT




REFRIGERANT
R-449A



MODULES

SYMBOL	LENGTH INCLUDING SIDES** [MM]	DISPLAY AREA [m ²]	UNIT	WEIGHT [kg]
R-12 P/o	1235	3,7	–	230
R-14 P/o	1425	3,7	–	260
R-16 P/o	1625	4,3	–	280
R-18 P/o	1825	4,8	–	305
R-20 P/o	2025	5,3	–	325
R-25 P/o	2580	6,6	–	360
R-30 P/o	3080	7,96	–	420
R-37 P/o	3850	9,57	–	510

 Cooling capacity requirements at $t_0 = -15\text{ °C}$: 1300 W/linear meter

*At an ambient temperature of +25°C and humidity of 60%

**Side thickness 50 mm

PRAGA (R-P)/o



TOKYO (R-SN)



STANDARD EQUIPMENT

- Energy-efficient LED lighting
- Energy-saving refrigerating unit
- Plastic sides with a glass (colour selection possible)
- Ecological polyurethane foam insulation
- Interior and shelves made of galvanised sheet metal (white powder-coated)
- Display shelves with adjustable height and suspension angle
- Label holders
- Night curtain
- Electronic temperature controller with digital display
- Condensate drain to the condensate container (version for fruit and vegetables)***
- Automatic condensate evaporation
- Defrosting: automatic
- Feet for levelling the device
- 4 rows of shelves



INTERIOR TEMPERATURE RANGE
+4°C TO +10°C*



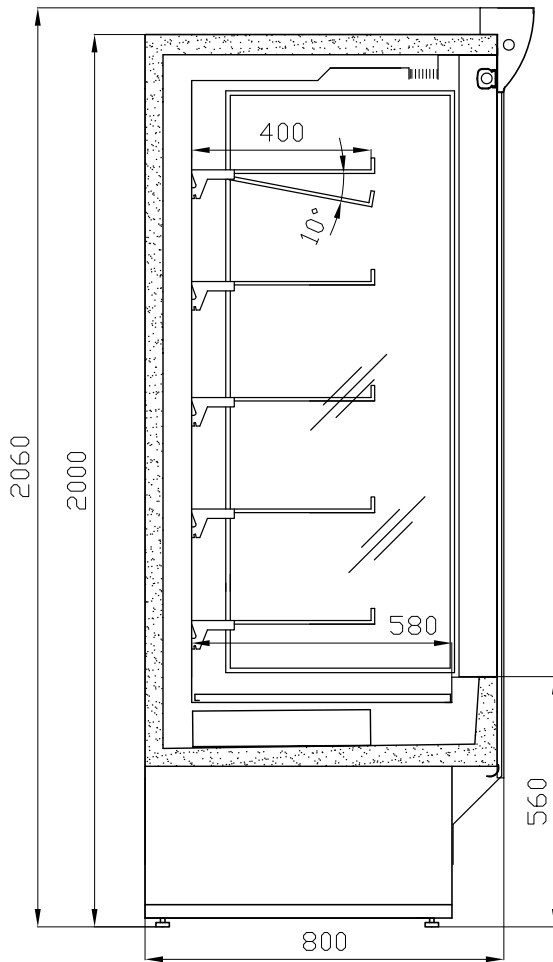
DYNAMIC
COOLING



INTERNAL UNIT



REFRIGERANT
R-449A



MODULES

SYMBOL	LENGTH INCLUDING SIDES** [MM]	DISPLAY AREA [m ²]	UNIT	WEIGHT [kg]
R-09 SN	990	1,8	+	200
R-12 SN	1250	2,48	+	220



*At an ambient temperature of +25°C and humidity of 60%

TOKYO (R-SN)



www.cold.pl



cold@cold.pl



+48 14 611 11 78

OXFORD (R-PS)



STANDARD EQUIPMENT

- Energy-efficient LED lighting
- Preparation for operation with an outdoor unit
- Plastic sides with a glass (colour selection possible)
- Ecological polyurethane foam insulation
- Interior and shelves made of galvanised sheet metal (white powder-coated)
- Display shelves with adjustable height and suspension angle
- Label holders
- Night curtain
- Front bumper – a choice of colours (grey, black, red)
- Electronic temperature controller with digital display
- Condensate drain to the sewers
- Defrosting: automatic
- Feet for levelling the device
- 4 rows of shelves
- Expansion valve



INTERIOR TEMPERATURE RANGE
+4°C TO +10°C*



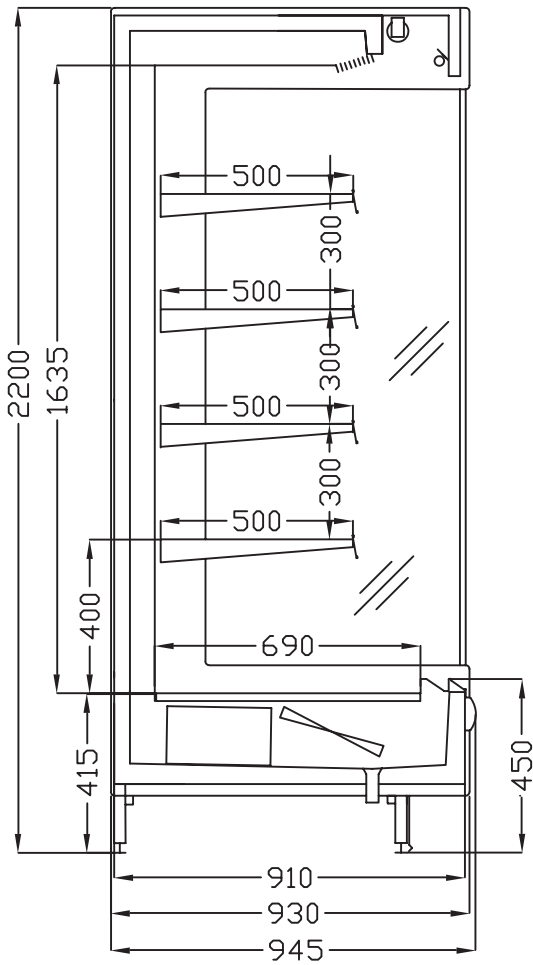
DYNAMIC
COOLING



EXTERNAL UNIT



REFRIGERANT
R-449A



MODULES

SYMBOL	LENGTH INCLUDING SIDES** [MM]	DISPLAY AREA [m ²]	UNIT	WEIGHT [kg]
R-20 PS	2080	5,33	-	390
R-25 PS	2580	6,67	-	420
R-30 PS	3080	8,02	-	480
R-37 PS	3910	9,57	-	580



Cooling capacity requirements at $t_0 = -15\text{ °C}$: 1400 W/linear meter

*At an ambient temperature of +25°C and humidity of 60%

**Side thickness 75 mm

OXFORD (R-PS)



www.cold.pl



cold@cold.pl



+48 14 611 11 78

SAPORO R-S/o



STANDARD EQUIPMENT

- Energy-efficient LED lighting
- Preparation for operation with an outdoor unit
- Plastic sides with a glass (colour selection possible)
- Ecological polyurethane foam insulation
- Interior and shelves made of galvanised sheet metal (white powder-coated)
- Display shelves with adjustable height and suspension angle
- Label holders
- Night curtain
- Front bumper – a choice of colours (grey, black, red)
- Electronic temperature controller with digital display
- Condensate drain to the sewers
- Defrosting: automatic
- Feet for levelling the device
- 4 rows of shelves
- Expansion valve



INTERIOR TEMPERATURE RANGE
+4°C TO +10°C*



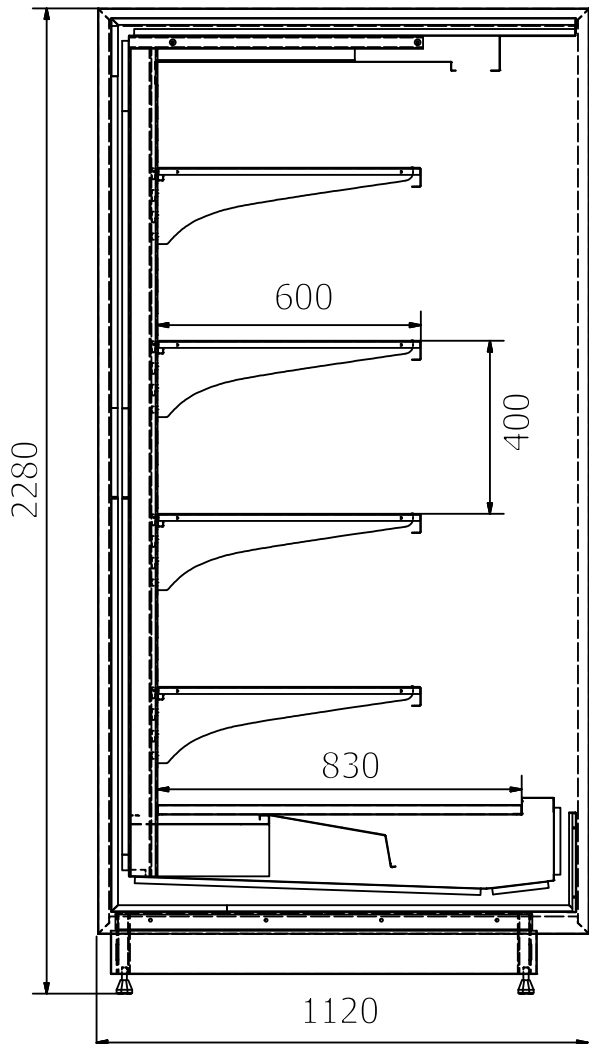
DYNAMIC
COOLING



EXTERNAL UNIT



REFRIGERANT
R-449A



MODULES

SYMBOL	LENGTH INCLUDING SIDES** [MM]	DISPLAY AREA [m ²]	UNIT	WEIGHT [kg]
R-12 S/o	1425	3,56	–	193
R-25 S/o	2650	7,12	–	465
R-30 S/o	3150	9,69	–	510
R-37 S/o	3920	12.11	–	605



Cooling capacity requirements at $t_0 = -15$ °C: 1500 W/linear meter

*At an ambient temperature of +25°C and humidity of 60%

**Side thickness 85 mm

SAPORO R-S/o



www.cold.pl



cold@cold.pl



+48 14 611 11 78

MILANO (R-M)



STANDARD EQUIPMENT

- Energy-efficient LED lighting
- Preparation for operation with an outdoor unit
- Interior lighting on the boom
- Plastic sides with a glazed unit (colour selection possible)
- Ecological polyurethane foam insulation
- Interior and shelves made of galvanised sheet metal (white powder-coated)
- Display shelves with adjustable height and suspension angle
- Label holders
- Electric night curtain
- Front bumper – a choice of colours (grey, black, red)
- Electronic temperature controller with digital display
- Condensate drain to the sewers
- Defrosting: automatic
- Feet for levelling the device
- 5 rows of shelves
- Expansion valve



INTERIOR TEMPERATURE RANGE
+4°C TO +10°C*



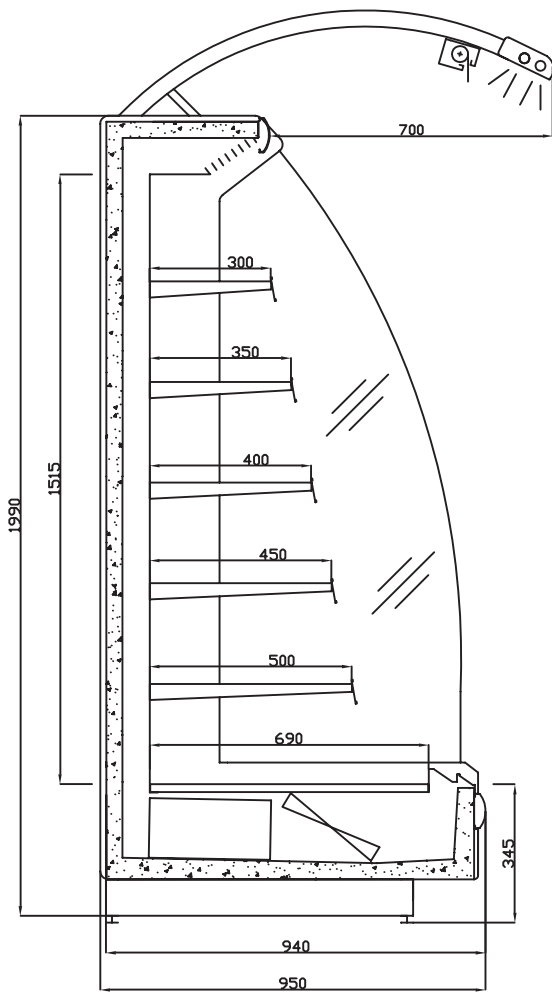
DYNAMIC
COOLING



EXTERNAL UNIT



REFRIGERANT
R-449A



MODULES

SYMBOL	LENGTH INCLUDING SIDES** [MM]	DISPLAY AREA [m ²]	UNIT	WEIGHT [kg]
R-20 M	2100	5,32	-	330
R-25 M	2600	6,67	-	365



Cooling capacity requirements at $t_0 = -15\text{ °C}$: 1400 W/linear meter

*At an ambient temperature of +25°C and humidity of 60%

**Side thickness 75 mm

MILANO (R-M)



www.cold.pl



cold@cold.pl



+48 14 611 11 78

MONZA (R-M n/o)



STANDARD EQUIPMENT

- Energy-efficient LED lighting
- Preparation for operation with an outdoor unit
- Interior lighting on the boom
- Plastic sides with a glass (colour selection possible)
- Ecological polyurethane foam insulation
- Interior and shelves made of galvanised sheet metal (white powder-coated)
- Display shelves with adjustable height and suspension angle
- Label holders
- Night curtain
- Front bumper – a choice of colours (grey, black, red)
- Electronic temperature controller with digital display
- Condensate drain to the sewers
- Defrosting: automatic
- Feet for levelling the device
- 3 rows of shelves
- Expansion valve



INTERIOR TEMPERATURE RANGE
+4°C TO +10°C*



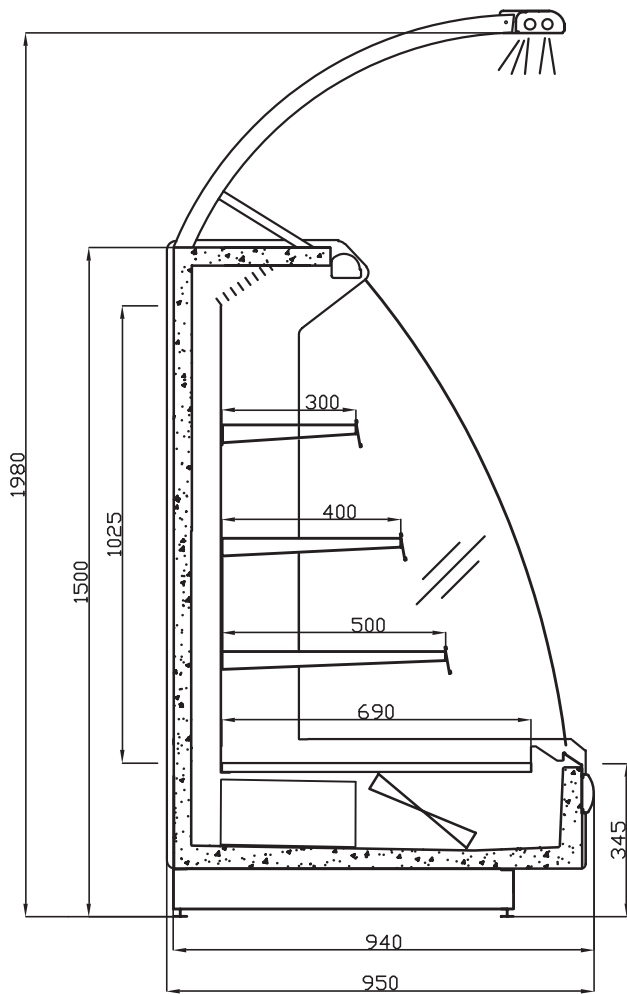
DYNAMIC
COOLING



EXTERNAL UNIT



REFRIGERANT
R-449A



MODULES

SYMBOL	LENGTH INCLUDING SIDES** [MM]	DISPLAY AREA [m ²]	UNIT	WEIGHT [kg]
R-12 M n/o	1350	2,33	–	130
R-18 M n/o	1850	3,29	–	180
R-20 M n/o	2100	3,8	–	215
R-25 M n/o	2600	4,71	–	285



Cooling capacity requirements at $t_0 = -15\text{ °C}$: 1300 W/linear meter

*At an ambient temperature of +25°C and humidity of 60%

**Side thickness 75 mm

MONZA (R-M) n/o



www.cold.pl



cold@cold.pl



+48 14 611 11 78

EMPOLI



STANDARD EQUIPMENT

- Energy-efficient LED lighting
- Energy-saving refrigerating unit
- Solid sides (thickness 40 mm), insulated
- Ecological polyurethane foam insulation
- Interior and shelves made of galvanised sheet metal (white powder-coated)
- Display shelves with adjustable height and suspension angle
- Label holders
- Front bumper – a choice of colours (grey, black, red)
- Electronic temperature controller with digital display
- Automatic condensate evaporation
- Defrosting: automatic
- Feet for levelling the device
- 4 rows of shelves



INTERIOR TEMPERATURE RANGE
+2°C TO +8°C*



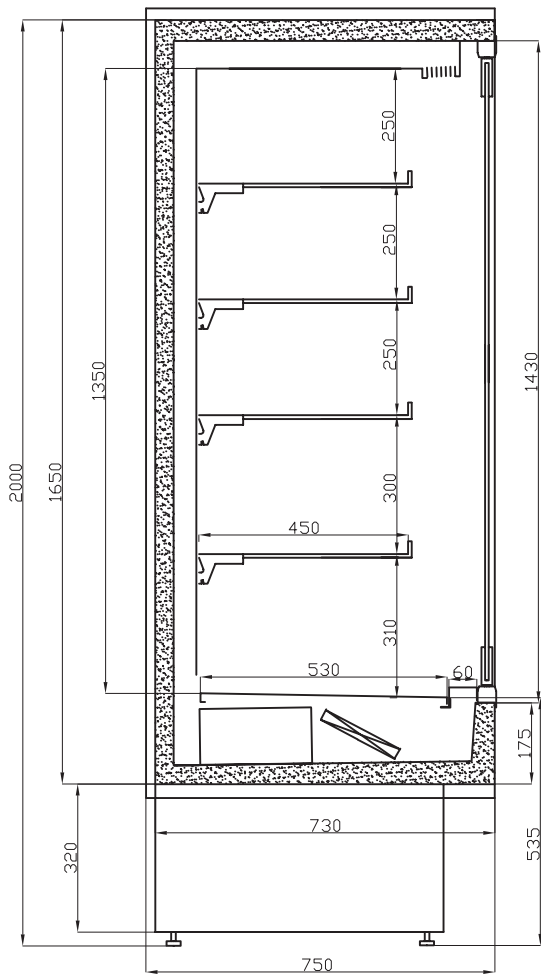
DYNAMIC
COOLING



INTERNAL UNIT



REFRIGERANT
R-449A



MODULES

SYMBOL	LENGTH INCLUDING SIDES** [MM]	DISPLAY AREA [m ²]	UNIT	LICZBA DRZWI	WEIGHT [kg]
R-12 Empoli	1250	2,08	+	2	210
R-19 Empoli	1955	3,31	+	3	450
R-25 Empoli	2500	4,22	+	4	520



*At an ambient temperature of +25°C and humidity of 60%
 **Side thickness 40 mm

MONTANA



STANDARD EQUIPMENT

- Energy-efficient LED lighting
- Energy-saving refrigerating unit
- Sides made of sheet metal (40 mm thick) with a glazed unit (colour selection possible)
- Ecological polyurethane foam insulation
- Interior and shelves made of galvanised sheet metal (white powder-coated)
- Display shelves with adjustable height and suspension angle
- Label holders
- Night curtain
- Electronic temperature controller with digital display
- Automatic condensate evaporation
- Defrosting: automatic
- Feet for levelling the device



INTERIOR TEMPERATURE RANGE
+4°C TO +10°C*



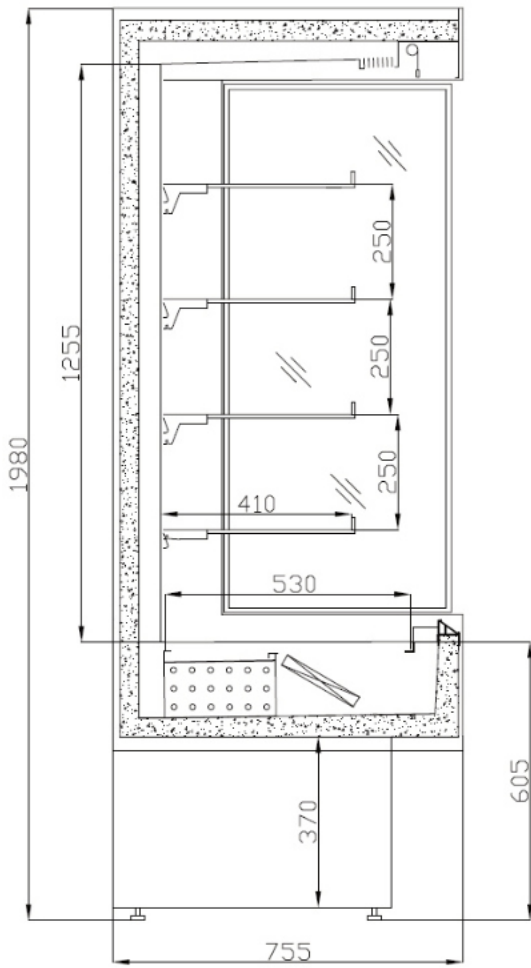
DYNAMIC
COOLING



INTERNAL UNIT



REFRIGERANT
R-449A



MODULES

SYMBOL	LENGTH INCLUDING SIDES** [MM]	DISPLAY AREA [m ²]	UNIT	WEIGHT [kg]
R-10 Montana	1000	2,52	+	215
R-13 Montana	1300	2,73	+	285
R-16 Montana	1600	3,63	+	318
R-19 Montana	1900	4,22	+	340
R-25 Montana	2500	5,59	+	385



*At an ambient temperature of +25°C and humidity of 60%

**Side thickness 40 mm

LISBONA (R-P DR)



STANDARD EQUIPMENT

- Energy-efficient LED lighting
- Energy-saving refrigerating unit
- Solid sides (thickness 40 mm), insulated
- Ecological polyurethane foam insulation
- Interior and shelves made of galvanised sheet metal (white powder-coated)
- Display shelves with adjustable height and suspension angle
- Label holders
- Front bumper – a choice of colours (grey, black, red)
- Electronic temperature controller with digital display
- Condensate drain to the condensate container
- Defrosting: automatic
- Sliding door with a glazed unit
- Feet for levelling the device
- 4 rows of shelves



INTERIOR TEMPERATURE RANGE
+2°C TO +8°C*



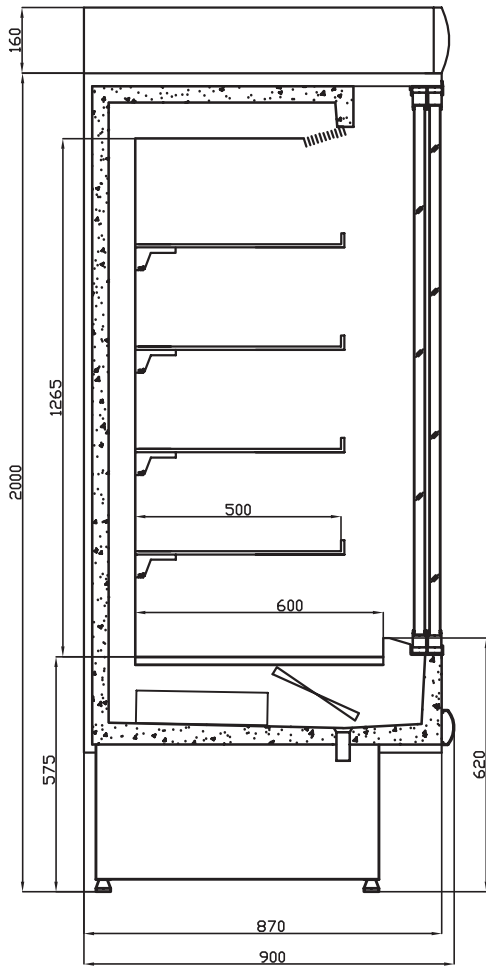
DYNAMIC
COOLING



INTERNAL UNIT



REFRIGERANT
R-449A



MODULES

SYMBOL	LENGTH INCLUDING SIDES** [MM]	DISPLAY AREA [m ²]	UNIT	NUMBER OF DOORS	WEIGHT [kg]
R-15 P - DR	1550	3,80	+	2	325
R-18 P - DR	1805	4,68	+	2	365
R-22 P - DR	2270	5,70	+	3	455
R-25 P - DR	2560	6,39	+	3	485
R-30 P - DR	2990	7,66	+	4	615



*At an ambient temperature of +25°C and humidity of 60%
 **Side thickness 40 mm

LISBONA (R-P DR)



www.cold.pl



cold@cold.pl



+48 14 611 11 78

LISBONA/o (R-PDR/o)



STANDARD EQUIPMENT

- Energy-efficient LED lighting
- Preparation for operation with an outdoor unit
- Solid sides (thickness 40 mm), insulated
- Ecological polyurethane foam insulation
- Interior and shelves made of galvanised sheet metal (white powder-coated)
- Display shelves with adjustable height and suspension angle
- Label holders
- Front bumper – a choice of colours (grey, black, red)
- Electronic temperature controller with digital display
- Condensate drain to the sewers
- Defrosting: automatic
- Sliding door with a glazed unit
- Feet for levelling the device
- 4 rows of shelves
- Expansion valve



INTERIOR TEMPERATURE RANGE
+2°C TO +8°C*



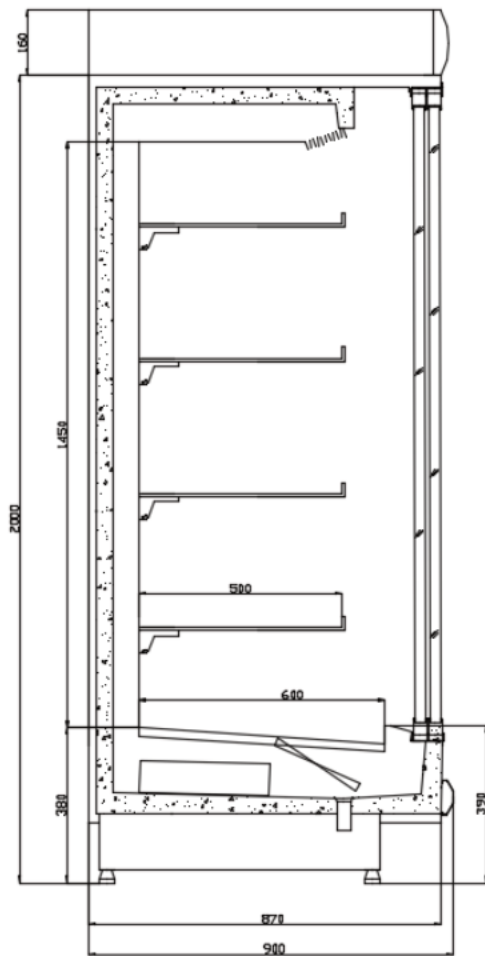
DYNAMIC
COOLING



EXTERNAL UNIT



REFRIGERANT
R-449A



MODULES

SYMBOL	LENGTH INCLUDING SIDES** [MM]	DISPLAY AREA [m ²]	UNIT	NUMBER OF DOORS	WEIGHT [kg]
R-15 P - DR/o	1550	3,80	-	2	305
R-18 P - DR/o	1805	4,68	-	2	330
R-22 P - DR/o	2270	5,70	-	3	430
R-25 P - DR/o	2560	6,39	-	3	475
R-30 P - DR/o	2990	8,02	-	4	500
R-37 P - DR/o	3830	11,25	-	5	570



Cooling capacity requirements at $t_0 = -15$ °C: 900 W/linear meter

*At an ambient temperature of +25°C and humidity of 60%

**Side thickness 40 mm

LISBONA/o (R-PDR/o)



LISBONA/W (R-PDR/W)



STANDARD EQUIPMENT

- Energy-efficient LED lighting
- Preparation for operation with an outdoor unit
- Solid sides (thickness 40 mm), insulated
- Ecological polyurethane foam insulation
- Interior and shelves made of galvanised sheet metal (white powder-coated)
- Display shelves with adjustable height and suspension angle
- Label holders
- Front bumper – a choice of colours (grey, black, red)
- Electronic temperature controller with digital display
- Condensate drain to the sewers
- Defrosting: automatic
- Sliding door with a glazed unit
- Feet for levelling the device
- 5 rows of shelves
- Expansion valve



INTERIOR TEMPERATURE RANGE
+2°C TO +8°C*



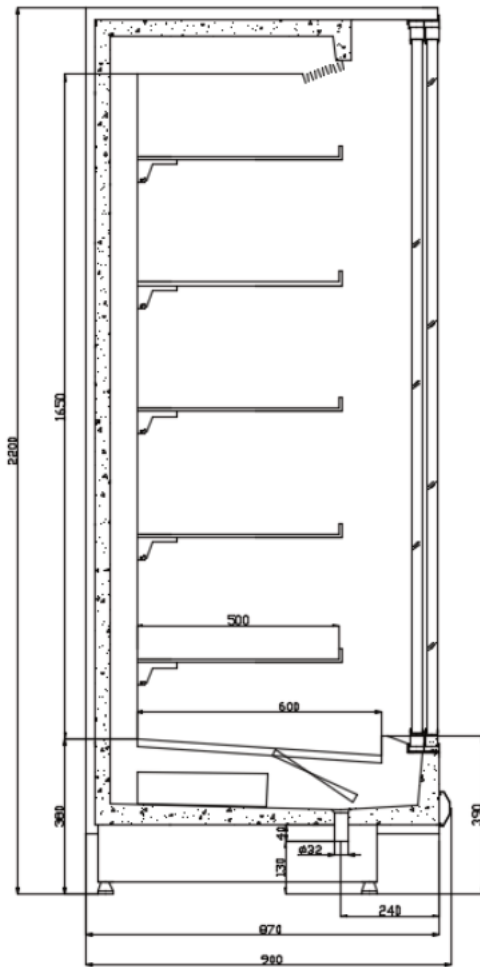
DYNAMIC
COOLING



EXTERNAL UNIT



REFRIGERANT
R-449A



MODULES

SYMBOL	LENGTH INCLUDING SIDES** [MM]	DISPLAY AREA [m ²]	UNIT	NUMBER OF DOORS	WEIGHT [kg]
R-15 P - DR/W	1550	4,8	-	2	240
R-22 P - DR/W	2270	8,5	-	3	375
R-30 P - DR/W	2990	11,25	-	4	445
R-37 P - DR/W	3830	14,5	-	5	610



Cooling capacity requirements at $t_0 = -15$ °C: 900 W/linear meter

*At an ambient temperature of +25°C and humidity of 60%

**Side thickness 40 mm

LISBONA/W (R-PDR/W)



www.cold.pl



cold@cold.pl



+48 14 611 11 78

VEGA (R-FA)



STANDARD EQUIPMENT

- Energy-efficient LED lighting
- Energy-saving refrigerating unit
- Interior lighting on the boom
- Solid sides (thickness 40 mm), insulated
- Ecological polyurethane foam insulation
- Interior and shelves made of galvanised sheet metal (green powder-coated)
- Display shelves with adjustable height and suspension angle
- Label holders
- Night curtain
- Front bumper – a choice of colours (grey, black, red)
- Electronic temperature controller with digital display
- Condensate drain to the condensate container
- Defrosting: automatic
- Feet for levelling the device
- Interior of the side, mirror plate H-17



INTERIOR TEMPERATURE RANGE
+6°C TO +12°C*



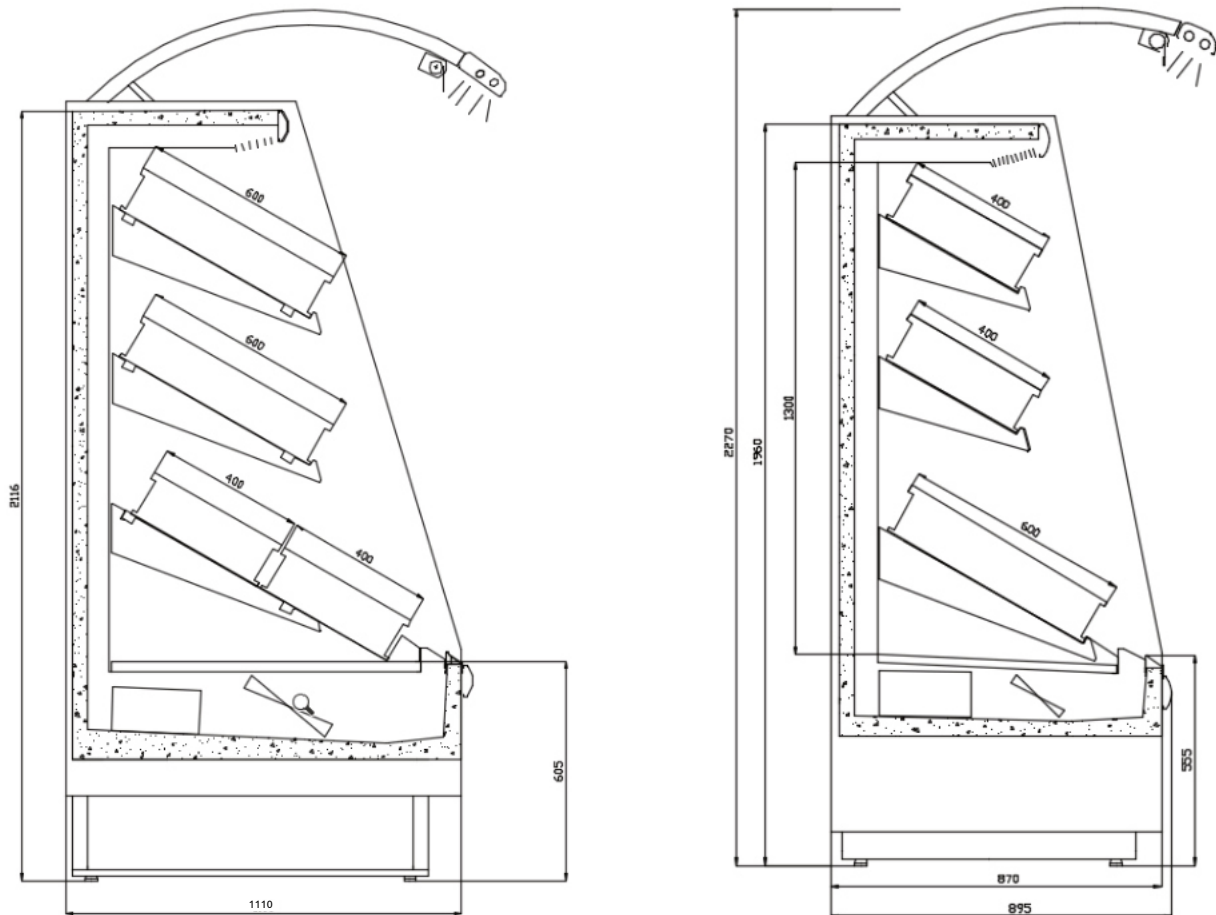
DYNAMIC
COOLING



INTERNAL UNIT



REFRIGERANT
R-449A



MODULES

SYMBOL	LENGTH INCLUDING SIDES** [MM]	DISPLAY AREA [m ²]	UNIT	NUMBER OF BOXES (300x400 mm)	NUMBER OF BOXES (600x400 mm)	WEIGHT [kg]
R-13 F a *895	1350	1,71	+	–	7	245
R-13 F a	1350	2,45	+	–	10	270
R-16 F a *895	1600	2,1	+	3	7	365
R-16 F a	1600	3	+	4	10	390
R-19 F a	1900	3,63	+	–	14	435
R-19 F a *895	1900	2,5	+	–	10	490
R-25 F a	2500	4,8	+	–	20	515
R-25 F a *895	2500	3,45	+	–	14	450
R-30 F a *895	2900	4	+	2	15	565
R-30 F a	2900	5,59	+	4	22	605



*At an ambient temperature of +25°C and humidity of 60%
 **Side thickness 40 mm

VEGA (R-FA)


www.cold.pl

cold@cold.pl


+48 14 611 11 78

VEGA (R-F/o)



STANDARD EQUIPMENT

- Energy-efficient LED lighting
- Preparation for operation with an outdoor unit
- Interior lighting on the boom
- Solid sides (thickness 40 mm), insulated
- Ecological polyurethane foam insulation
- Interior and shelves made of galvanised sheet metal (green powder-coated)
- Display shelves with adjustable height and suspension angle
- Label holders
- Night curtain
- Front bumper – a choice of colours (grey, black, red)
- Electronic temperature controller with digital display
- Condensate drain to the sewers
- Defrosting: automatic
- Feet for levelling the device
- Interior of the side, mirror plate H-17
- Expansion valve



INTERIOR TEMPERATURE RANGE
+6°C TO +12°C*



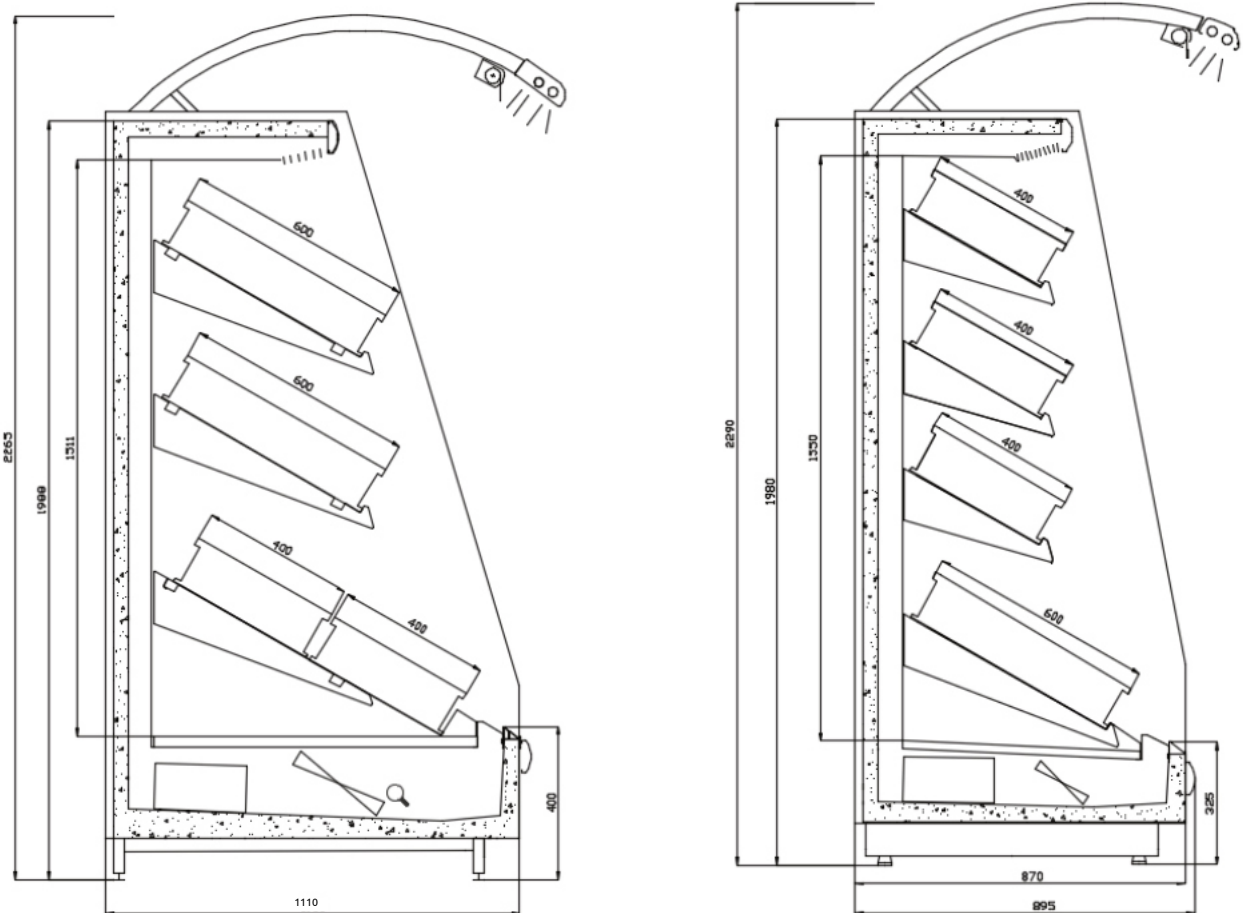
DYNAMIC
COOLING



EXTERNAL UNIT



REFRIGERANT
R-449A



MODULES

SYMBOL	LENGTH INCLUDING SIDES** [MM]	DISPLAY AREA [m ²]	UNIT	NUMBER OF BOXES (300x400 mm)	NUMBER OF BOXES (600x400 mm)	WEIGHT [kg]
R-13 F/o *895	1350	2,23	-	-	9	200
R-13 F/o	1350	2,45	-	-	10	225
R-16 F/o *895	1600	2,73	-	4	9	320
R-16 F/o	1600	3	-	4	10	345
R-19 F/o	1900	3,63	-	-	14	370
R-19 F/o *895	1900	3,31	-	-	13	340
R-25 F/o	2500	4,8	-	-	20	450
R-25 F/o *895	2500	4,3	-	-	18	420
R-30 F/o *895	2900	5,1	-	3	19	490
R-30 F/o	2900	5,59	-	4	22	540
R-37 F/o	3830	7,66	-	-	30	680



Cooling capacity requirements at $t_0 = -15\text{ °C}$: 1300 W/linear meter

*At an ambient temperature of +25°C and humidity of 60%

**Side thickness 40 mm

VEGA (R-F/o)



FREEZING EQUIPMENT

ALASKA	249
ARCTIC.....	251
ASTANA-GASTRO-MR (SW-G MR).....	253
BOSTON-GASTRO-MR (S-G MR)	255
SHOCK CHILLER SZ-GN 1/1.....	257

FREEZING equipment

Freezing multidecks and cabinets

FREEZING equipment



KEY FEATURES OF THE SERIES



ENERGY-SAVING



LED LIGHTING



EVAPORATOR
PIPE WALLS 0.8mm

Gold

OTHER



OPTIONAL EQUIPMENT

Our freezing multidecks and cabinets are often individual projects with specific applications.

The optional equipment also differs greatly from one model to another.

Therefore, you will find them on the individual product sheets.

KEY FEATURES OF THE SERIES



ENERGY-SAVING



LED LIGHTING



EVAPORATOR PIPE WALLS 0.8mm

ALASKA



STANDARD EQUIPMENT

- Energy-efficient LED lighting
- Energy-saving refrigerating unit
- Ecological polyurethane foam insulation
- Metal, mesh, plasticised shelves with adjustable position
- Label holders
- Electronic temperature controller with digital display
- Automatic condensate evaporation
- Defrosting: automatic
- Side-hung door with a glazed unit
- Feet for levelling the device
- External casing made of galvanised sheet metal (black powder-coated inside)
- Evaporator heaters



INTERIOR TEMPERATURE RANGE
-18°C TO -22°C*



DYNAMIC
COOLING



REFRIGERANT 452A

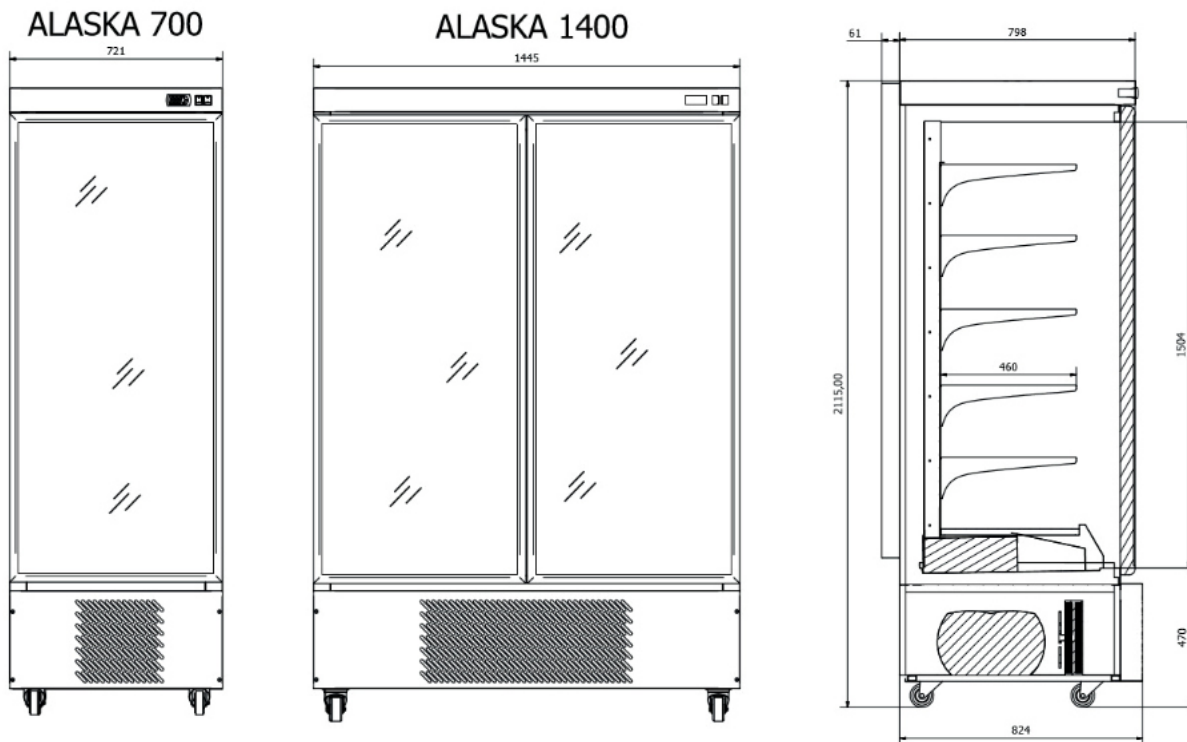


INTERNAL UNIT



OPTIONAL EQUIPMENT

- Different interior colours
- Painting the body in the selected RAL colour
- Set of castors
- Door frame in black
- Interior made of acid-resistant stainless steel
- Cooling version (+2°C to +8°C)
- Temperature recorder (USB)



MODULES

SYMBOL	LENGTH INCLUDING SIDES** [MM]	NUMBER OF SHELVES	NUMBER OF DOORS	UNIT	DISPLAY AREA [m ²]	VOLUME OF THE DEVICE [dcm ³]	WEIGHT [kg]
ALASKA 700	720	5	single	+	2,1	623	165
ALASKA 1400	1450	10	double	+	4,22	1345	210



*At an ambient temperature of +25°C and humidity of 60%

ARCTIC



STANDARD EQUIPMENT

- Energy-efficient LED lighting
- Preparation for operation with an outdoor unit
- Sides made of sheet metal (thickness 80 mm)
- Ecological polyurethane foam insulation
- Interior and shelves made of galvanised sheet metal (white powder-coated)
- Display shelves with adjustable height and suspension angle
- Label holders
- Front bumper – a choice of colours (grey, black, red)
- Electronic temperature controller with digital display
- Condensate drain to the sewers
- Defrosting: automatic
- Opening door, self-closing
- Heated door frame
- Feet for levelling the device
- Evaporator heater
- Expansion valve



INTERIOR TEMPERATURE RANGE
-18°C TO -22°C*



DYNAMIC
COOLING



REFRIGERANT 452A



EXTERNAL UNIT

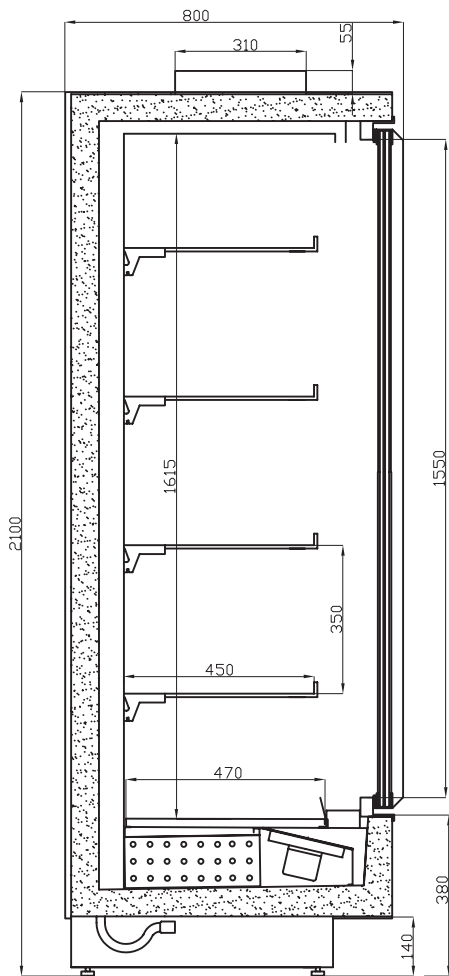


EVAPORATOR PIPE WALLS 0.8mm



OPTIONAL EQUIPMENT

- Illumination of the lower part of the multideck casing
- Different interior colours
- Painting the body in the selected RAL colour
- Back made of acid-resistant stainless steel
- Electronic temperature recorder (USB)



MODULES

SYMBOL	LENGTH INCLUDING SIDES**	DISPLAY AREA [m ²]	UNIT	NUMBER OF DOORS	WEIGHT [kg]
R-25 Arctic	2460	5,30	-	3	495
R-33 Arctic	3285	7,10	-	4	610



Cooling capacity requirements at $t_0 = -30\text{ }^\circ\text{C}$: 1300 W/linear meter

*At an ambient temperature of +25°C and humidity of 60%

**Side thickness 80 mm



ASTANA-GASTRO-MR (SW-G MR)



STANDARD EQUIPMENT

- Energy-efficient LED lighting
- Energy-saving refrigerating unit
- Ecological polyurethane foam insulation
- Interior made of acid-resistant OH-18 stainless steel
- Metal, mesh, plasticised shelves with adjustable position
- Electronic temperature controller with digital display
- Automatic condensate evaporation
- Defrosting: automatic
- Side-hung door with a glazed unit
- Gastro feet allowing for levelling of the device
- External casing made of galvanised sheet metal (grey powder-coated)
- Upper attachment of the unit



INTERIOR TEMPERATURE RANGE
-18°C TO -22°C*



DYNAMIC
COOLING



REFRIGERANT 452A

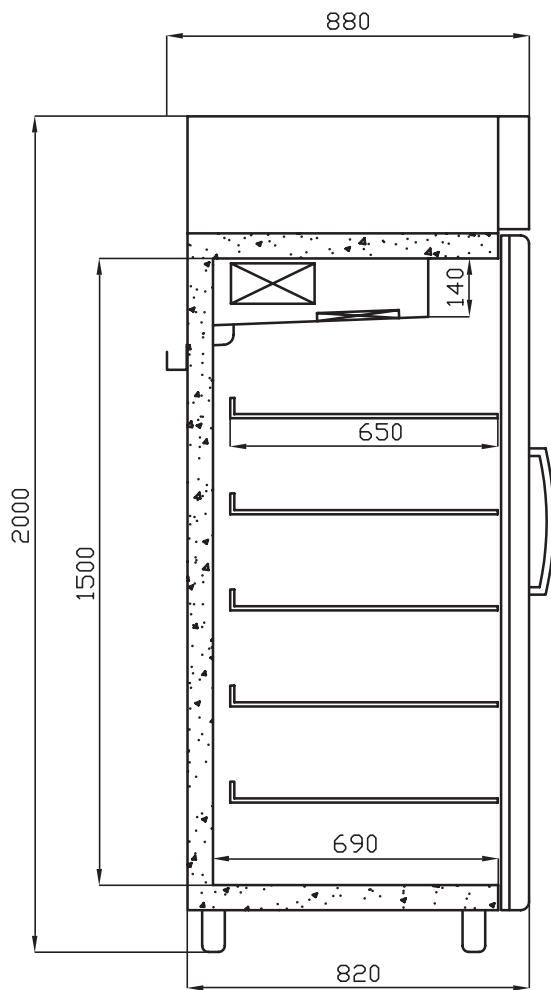


INTERNAL UNIT



OPTIONAL EQUIPMENT

- Painting the body in the selected RAL colour
- Electronic temperature recorder (with software)
- Set of castors
- G/N containers
- Additional shelf with hooks
- Casing made of acid-resistant stainless steel
- Label holders



MODULES

SYMBOL	LENGTH INCLUDING SIDES** [MM]	NUMBER OF SHELVES	NUMBER OF DOORS	UNIT	DISPLAY AREA [m ²]	VOLUME OF THE DEVICE [dcm ³]	WEIGHT [kg]
SW-700 G MR	720	5	-	+	2,1	623	160
SW-1400 G MR	1450	10	double	+	4,22	1345	220



*At an ambient temperature of +25°C and humidity of 60%

ASTANA-GASTRO-MR (SW-G MR)



www.cold.pl



cold@cold.pl



+48 14 611 11 78

BOSTON-GASTRO-MR (S-G MR)



STANDARD EQUIPMENT

- Energy-saving refrigerating unit
- Ecological polyurethane foam insulation
- Interior made of acid-resistant OH-18 stainless steel
- Metal, mesh, plasticised shelves with adjustable position
- Electronic temperature controller with digital display
- Automatic condensate evaporation
- Defrosting: automatic
- Opening door, full
- Gastro feet allowing for levelling of the device
- Evaporator heaters
- External casing made of galvanised sheet metal (grey powder-coated)



INTERIOR TEMPERATURE RANGE
-18°C TO -22°C*



DYNAMIC
COOLING



REFRIGERANT 452A



INTERNAL UNIT

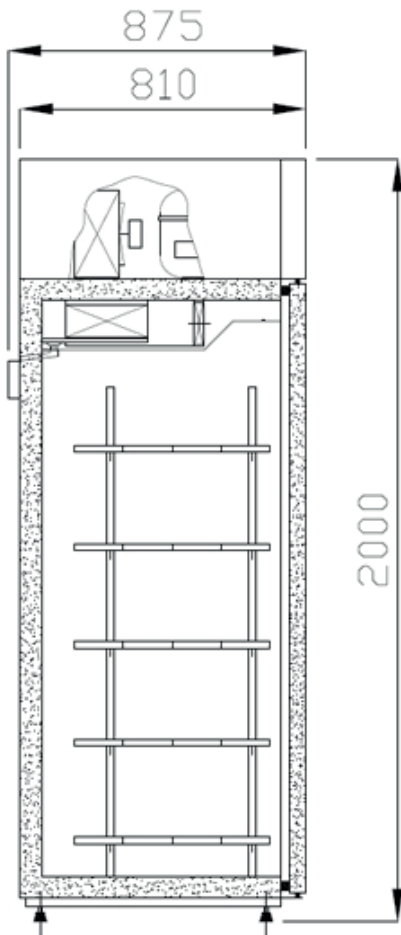


EVAPORATOR PIPE WALLS 0.8mm



OPTIONAL EQUIPMENT

- Painting the body in the selected RAL colour
- Electronic temperature recorder (with software)
- Set of castors
- G/N containers
- Additional shelf with hooks
- Casing made of acid-resistant stainless steel



MODULES

SYMBOL	LENGTH INCLUDING SIDES** [MM]	NUMBER OF SHELVES	NUMBER OF DOORS	UNIT	DISPLAY AREA [m ²]	VOLUME OF THE DEVICE [dcm ³]	WEIGHT [kg]
S-700 G MR	720	5	single	+	2,1	623	133
S-1400 G MR	1450	10	double	+	4,22	1345	205



*At an ambient temperature of +25°C and humidity of 60%

BOSTON-GASTRO-MR (S-G MR)



www.cold.pl



cold@cold.pl



+48 14 611 11 78

SHOCK CHILLER SZ-GN 1/1



STANDARD EQUIPMENT

- Energy-saving refrigerating unit
- Ecological polyurethane foam insulation
- Interior made of acid-resistant OH-18 stainless steel
- Electronic temperature controller with digital display
- Automatic condensate evaporation
- Defrosting: automatic
- Side-hung door, full, possibility to choose the direction of opening
- Feet for levelling the device
- »UV« anti-bacterial fluorescent tube
- Rack for G/N containers
- Three G/N 1/1 containers (SZ-6GN 1/1)
- Six G/N 1/1 containers (SZ-12GN 1/1)
- External casing made of acid-resistant OH18 stainless steel



OPERATION MODE:
SOFT (COOLING +3°C);
HARD (FREEZING -36°C)



DYNAMIC
COOLING



REFRIGERANT 452A

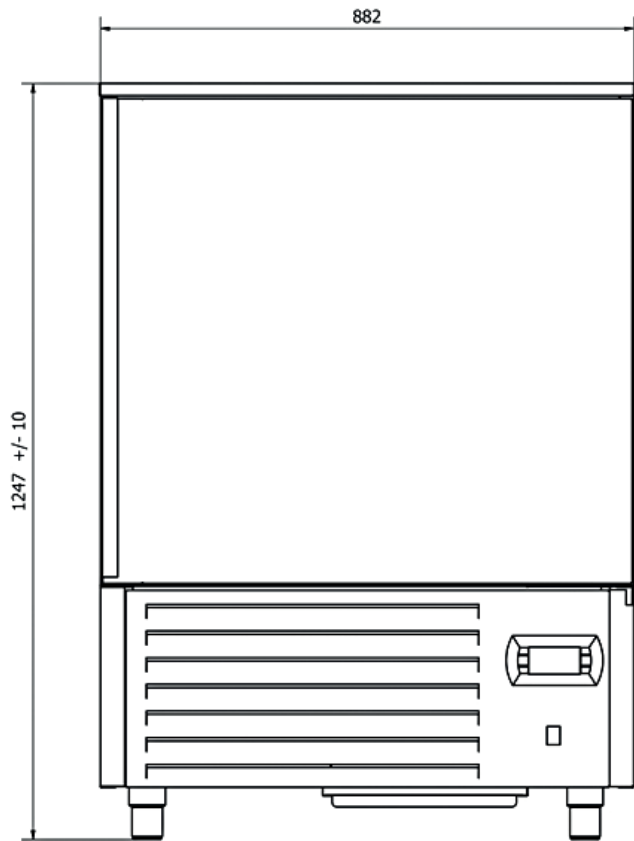


INTERNAL UNIT



OPTIONAL EQUIPMENT

- Electronic temperature recorder (with software)
- Set of castors
- G/N containers



MODULES

SYMBOL	LENGTH INCLUDING SIDES** [MM]	NUMBER OF CONTAINERS	UNIT	TYPE OF DOORS	WEIGHT [kg]
SZ-6GN 1/1	882mm	3 x GN 1/1	+	Full door	120
SZ-12GN 1/1	882mm	6 x GN 1/1	+	Full door	165



*At an ambient temperature of +25°C and humidity of 60%



ISLANDS

MILLENIUM (W-MR/G)	263
MILLENIUM PANORAMA	265
OSLO (W-MR/G/O).....	267
ODESSA (W-MR/G/SN).....	269
PETERSBURG W-MR/G/P	271

FREEZING equipment

Freezing displays

ISLANDS



KEY FEATURES OF THE SERIES



NIGHT CURTAINS



HEATED GLASS



LABEL HOLDERS



TEMPERATURE RANGE
INTERIORS FROM
-14°C TO -22°C



OPTIONAL EQUIPMENT

- Additional partition
- Serial connection
- Temperature recorder with software
- Additional lacquered extension with illumination*
- Stainless steel railing**
- Set of castors**
- Sliding glass screens***

*Not included in Millenium Panorama

**Millenium displays only

***Millenium and Oslo displays only

KEY FEATURES OF THE SERIES



NIGHT CURTAINS



HEATED GLASS



LABEL HOLDERS



INTERIOR TEMPERATURE RANGE
-15°C TO -24°C

MILLENIUM (W-MR/G)



STANDARD EQUIPMENT

- Energy-efficient LED lighting
- Automatic condensate drainage
- Energy-saving refrigerating unit
- Night curtains
- Heated glass
- Plastic sides with a glass (colour selection possible)
- Partitions (W-15/2 pcs; W-20/3 pcs; W-25/4 pcs;)
- Ecological polyurethane foam insulation
- Defrosting (automatic)
- Internal thermometer
- Feet for levelling the device
- Label holders
- Bottom shelves



INTERIOR TEMPERATURE RANGE
-15°C TO -24°C*



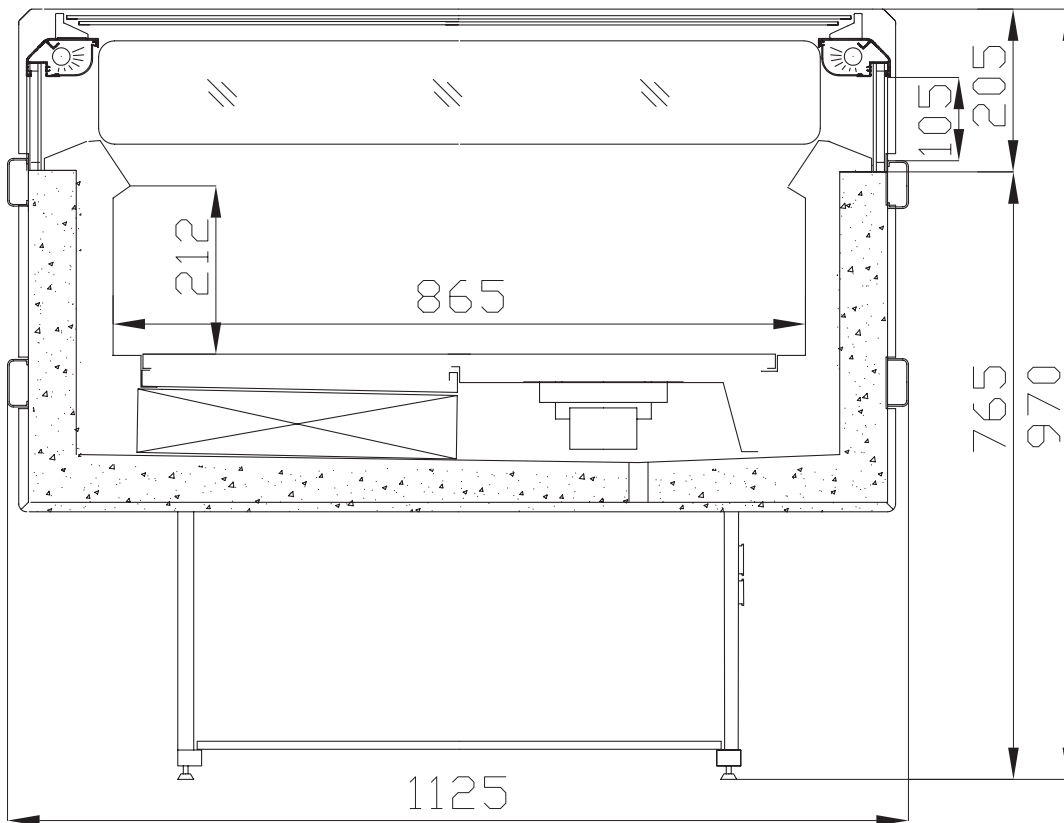
DYNAMIC
COOLING



REFRIGERANT 452A



INTERNAL UNIT



MODULES

SYMBOL	LENGTH INCLUDING SIDES** [MM]	DISPLAY AREA [m ²]	UNIT	VOLUME OF THE DEVICE [dcm ³]	WEIGHT [kg]
W-15 MR/G	1580	1,33	+	270	216
W-20 MR/G	2040	1,78	+	370	252
W-25 MR/G	2505	2,23	+	478	275



*At an ambient temperature of +25°C and humidity of 60%
 **Side thickness 80 mm

MILLENIUM (W-MR/G)



www.cold.pl



cold@cold.pl



+48 14 611 11 78

MILLENIUM PANORAMA



STANDARD EQUIPMENT

- Energy-efficient LED lighting
- Energy-saving silent fan motors
- Automatic condensate drainage
- Energy-saving refrigerating unit
- Night curtains
- Heated glass
- Plastic sides with a glass (colour selection possible)
- Partitions (W-15/2 pcs; W-20/3 pcs; W-25/4 pcs;)
- Ecological polyurethane foam insulation
- Defrosting (automatic)
- Internal thermometer
- Feet for levelling the device
- Label holders



INTERIOR TEMPERATURE RANGE
-15°C TO -24°C*



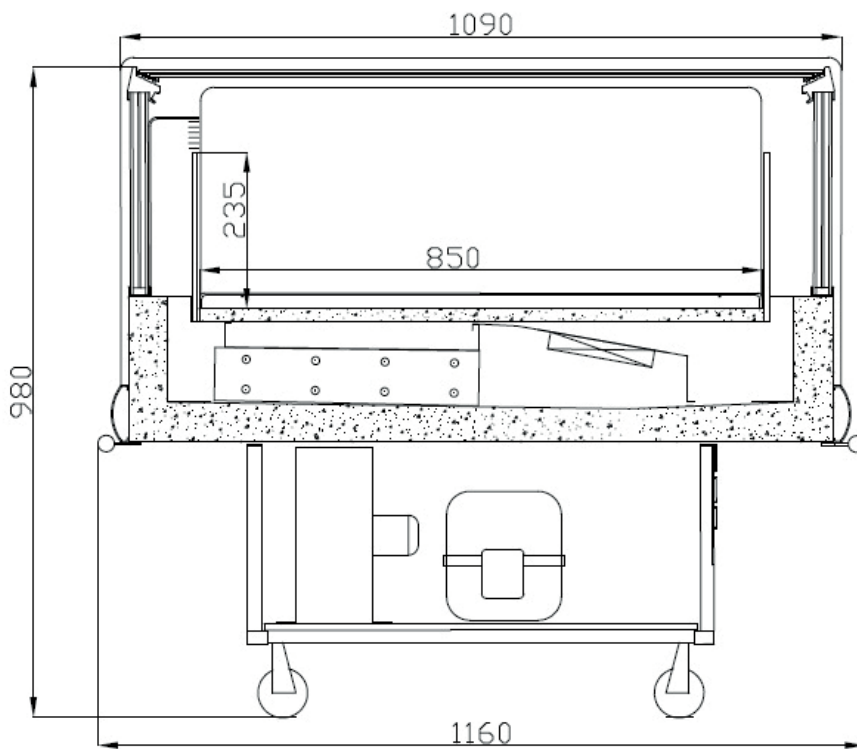
DYNAMIC
COOLING



REFRIGERANT 452A



INTERNAL UNIT



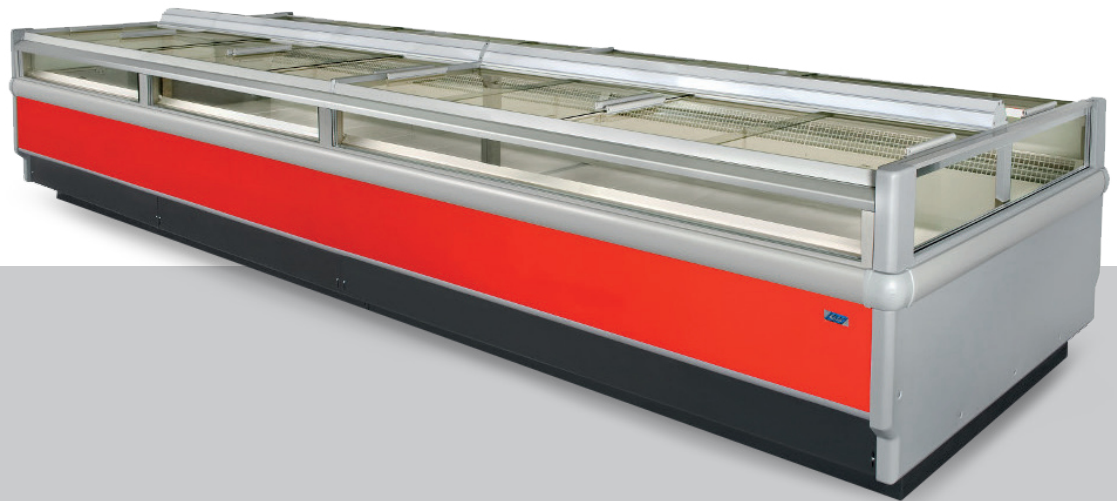
MODULES

SYMBOL	LENGTH INCLUDING SIDES** [MM]	DISPLAY AREA [m ²]	UNIT	VOLUME OF THE DEVICE [dcm ³]	WEIGHT [kg]
W-15 MR/G PAN	1580	1,33	+	270	225
W-20 MR/G PAN	2040	1,78	+	370	265



*At an ambient temperature of +25°C and humidity of 60%
 **Side thickness 40 mm

OSLO (W-MR/G/O)



STANDARD EQUIPMENT

- Energy-efficient LED lighting
- Automatic condensate drainage
- Plastic lids
- Heated glass
- Interior lighting:
- Plastic sides with a glass (colour selection possible)
- Partitions (W-15/2 pcs; W-20/3 pcs; W-25/4 pcs;)
- Ecological polyurethane foam insulation
- Defrosting (automatic)
- Internal thermometer
- Feet for levelling the device
- Label holders
- Condensate drain to the sewers
- Expansion valve
- Preparation for operation of the outdoor unit



INTERIOR TEMPERATURE RANGE
-15°C TO -24°C*



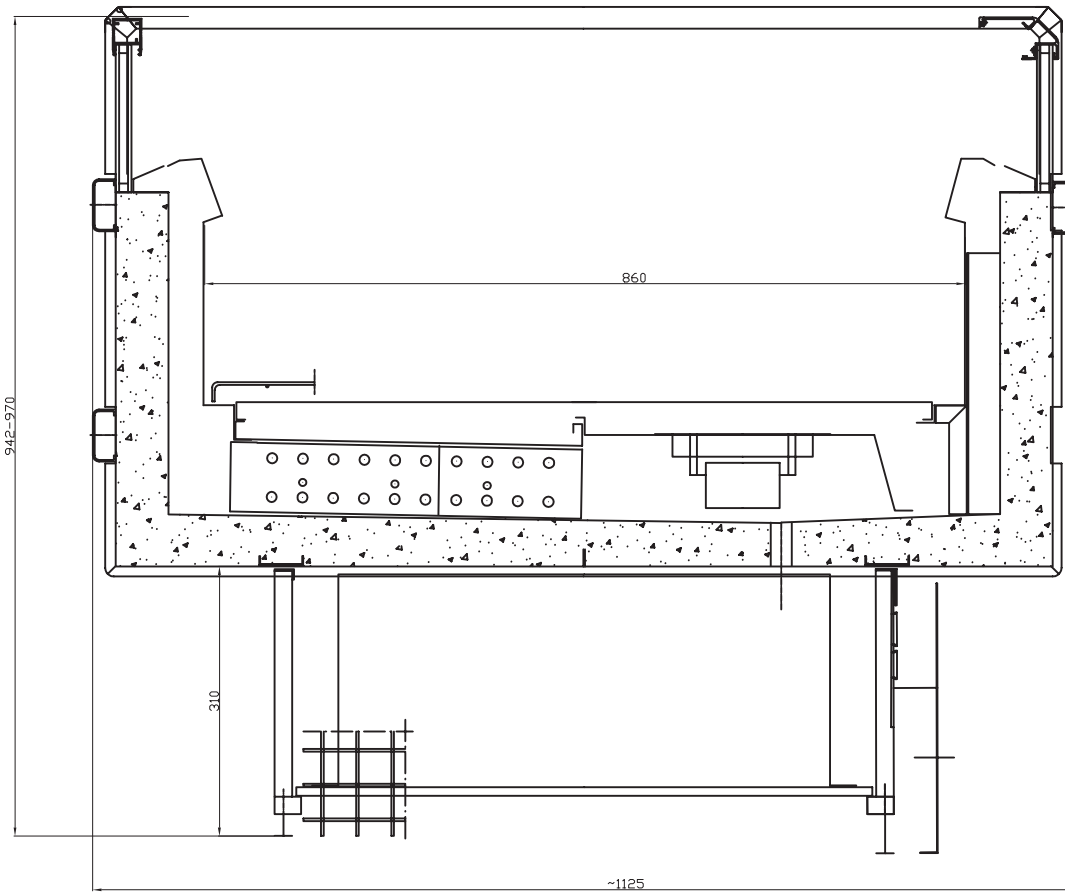
DYNAMIC
COOLING



REFRIGERANT 452A



EXTERNAL UNIT



MODULES

SYMBOL	LENGTH INCLUDING SIDES** [MM]	DISPLAY AREA [m ²]	UNIT	VOLUME OF THE DEVICE [dcm ³]	WEIGHT [kg]
W-15 MR/G/o	1580	1,33	-	270	196
W-20 MR/G/o	2040	1,78	-	370	232
W-25 MR/G/o	2505	2,23	-	470	255



Cooling capacity requirements at $t_0 = -30^{\circ}\text{C}$: 900 W/linear meter

*At an ambient temperature of +25°C and humidity of 60%

**Side thickness 80 mm

OSLO (W-MR/G/O)



www.cold.pl

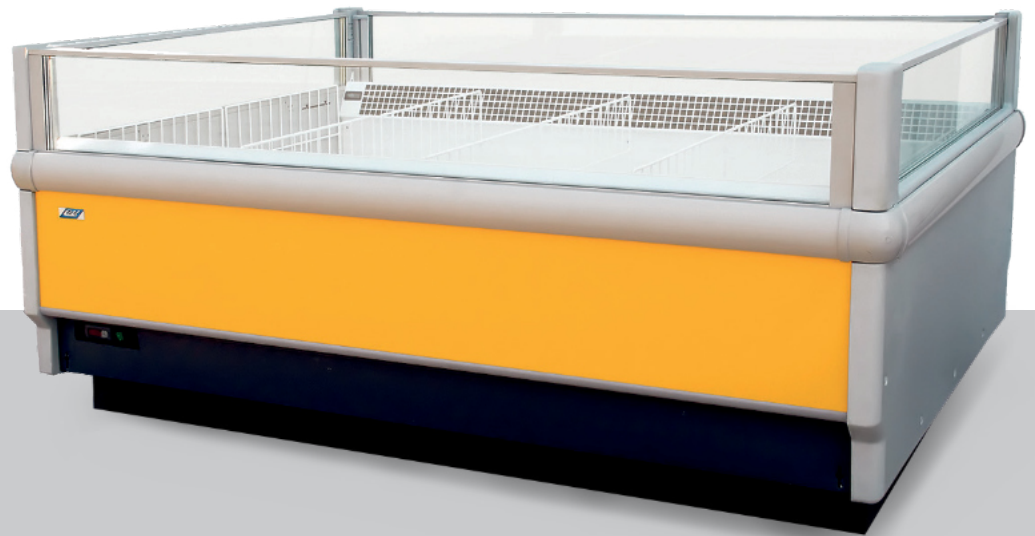


cold@cold.pl



+48 14 611 11 78

ODESSA (W-MR/G/SN)



STANDARD EQUIPMENT

- LED lighting
- Heated glass
- Plastic sides with a glass (colour selection possible)
- Partitions (W-15/2 pcs; W-20/3 pcs; W-25/4 pcs;)
- Ecological polyurethane foam insulation
- Defrosting (automatic)
- Internal thermometer
- Feet for levelling the device
- Label holders
- Condensate drain to the sewers
- Bottom shelves
- Plastic lids
- Expansion valve
- Preparation for operation with an outdoor unit



INTERIOR TEMPERATURE RANGE
-15°C TO -24°C*



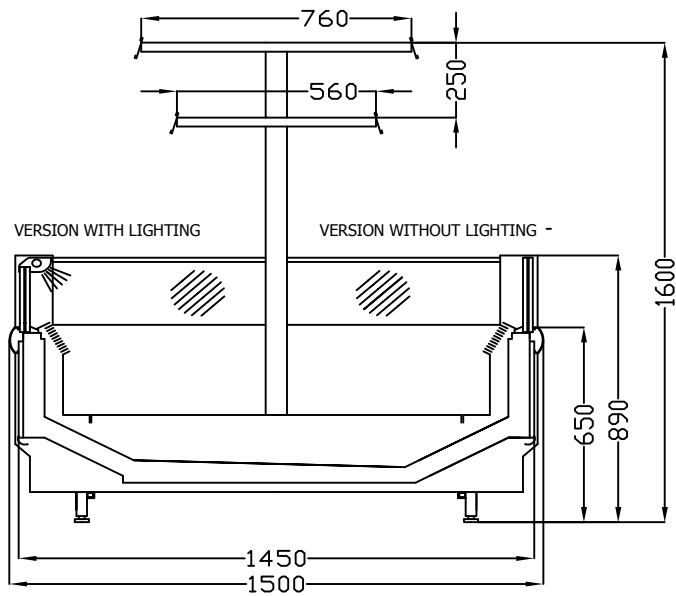
DYNAMIC
COOLING



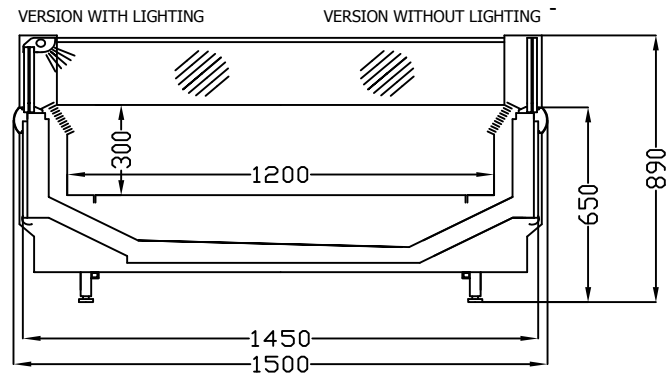
REFRIGERANT 452A



EXTERNAL UNIT



ODESSA WITH AN EXTENSION



ODESSA



MODULES

SYMBOL	LENGTH INCLUDING SIDES** [MM]	DISPLAY AREA [m ²]	UNIT	VOLUME OF THE DEVICE [dcm ³]	WEIGHT [kg]
W-20 MR/G/SN	2080	2,33	-	694	264
W-25 MR/G/SN	2580	2,87	-	887	298
W-30 MR/G/SN	3080	3,56	-	1064	377



Cooling capacity requirements at $t_0 = -30^\circ\text{C}$: 1000 W/linear meter

*At an ambient temperature of $+25^\circ\text{C}$ and humidity of 60%

**Side thickness 80 mm

ODESSA (W-MR/G/SN)



www.cold.pl

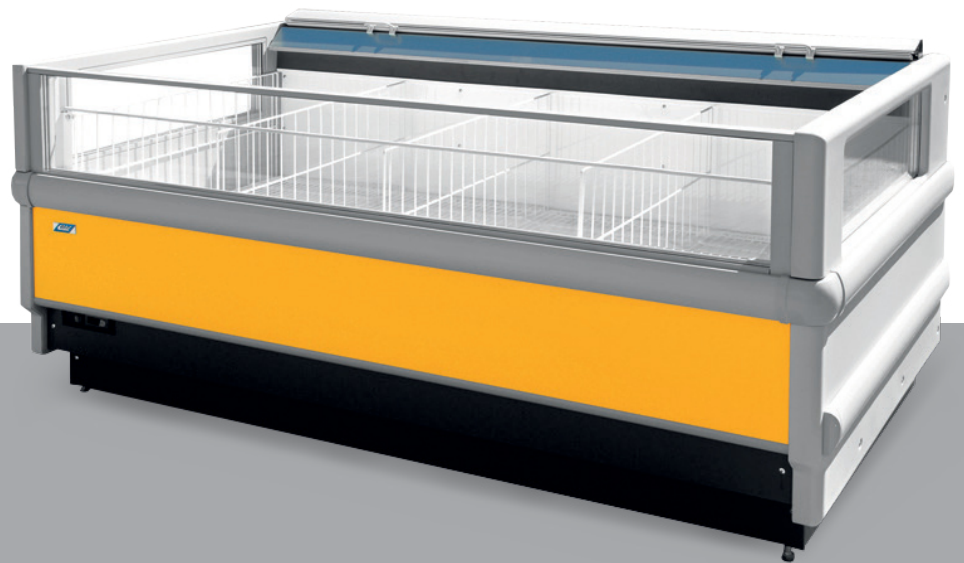


cold@cold.pl



+48 14 611 11 78

PETERSBURG W-MR/G/P



STANDARD EQUIPMENT

- Night curtain
- Heated glass
- LED lighting
- Plastic sides with a glass (colour selection possible)
- Partitions (W-15/2 pcs; W-20/3 pcs; W-25/4 pcs;)
- Ecological polyurethane foam insulation
- Defrosting (automatic)
- Internal thermometer
- Feet for levelling the device
- Label holders
- Condensate drain to the sewers
- Expansion valve
- Preparation for operation of the outdoor unit



INTERIOR TEMPERATURE RANGE
-15°C TO -24°C*



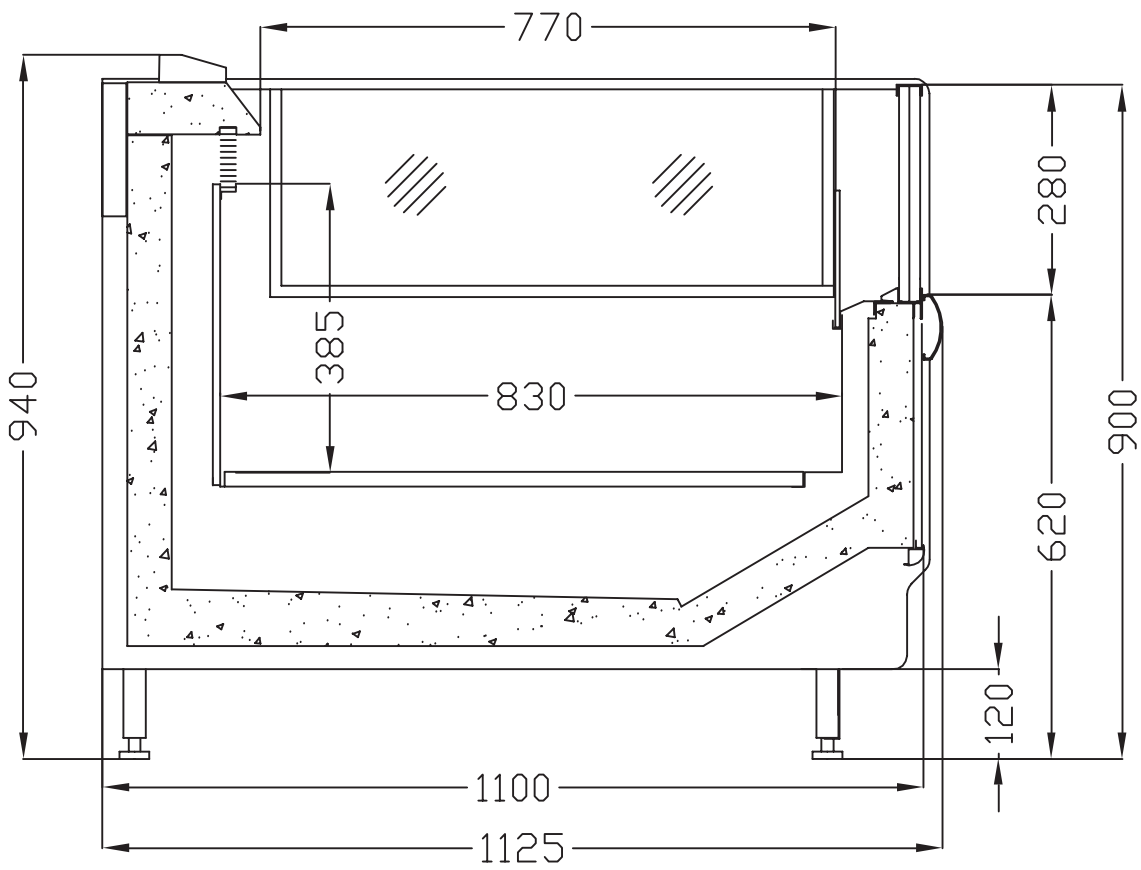
DYNAMIC
COOLING



REFRIGERANT 452A



EXTERNAL UNIT



MODULES

SYMBOL	LENGTH INCLUDING SIDES** [MM]	DISPLAY AREA [m ²]	UNIT	VOLUME OF THE DEVICE [dcm ³]	WEIGHT [kg]
W-20 MR/G/P	2080	1,65	-	614	222
W-25 MR/G/P	2580	2,05	-	776	255
W-30 MR/G/P	3080	2,45	-	1134	305

! Cooling capacity requirements at $t_0 = -30^\circ\text{C}$: 900 W/linear meter

*At an ambient temperature of $+25^\circ\text{C}$ and humidity of 60%

**Side thickness 80 mm

PETERSBURG W-MR/G/P

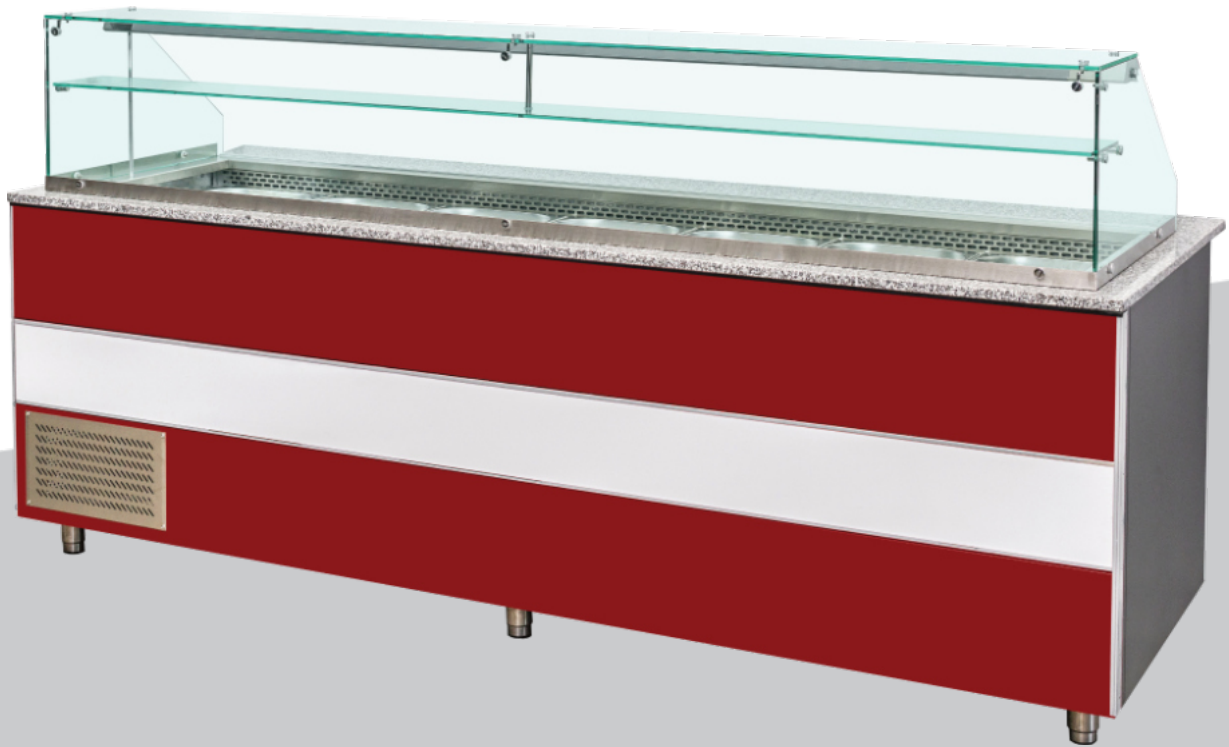
LINEAGASTRO

SALAD COUNTER	277
BAIN-MARIE.....	279
Cashdesk	281
LineaGastro LAGUNA	283

COOLING EQUIPMENT

Food service equipment

LineaGastro



KEY FEATURES OF THE SERIES



PLUG IN



ENERGY-SAVING



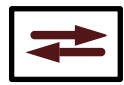
LED LIGHTING



EVAPORATOR
PIPE WALLS 0.8mm



NIGHT CURTAINS



REMOVABLE
FRONT



OPTIONAL EQUIPMENT

- G/N containers
 - Rosa Porrino granite worktop - 30mm
 - Balmoral granite worktop - 20 or 30mm
 - Indian Black granite worktop - 20 or 30mm
 - Bianco granite worktop - 30mm
 - Granite worktop extension by 5-10 cm
 - Additional front
 - Stainless steel railing
 - Railing connector
 - Front panel finishing with wood-like panels
 - Painting the whole casing in RAL colour
 - Set of castors
- Front without illumination / full front

KEY FEATURES OF THE SERIES



PLUG IN



ENERGY-SAVING



LED LIGHTING



EVAPORATOR PIPE WALLS 0.8mm



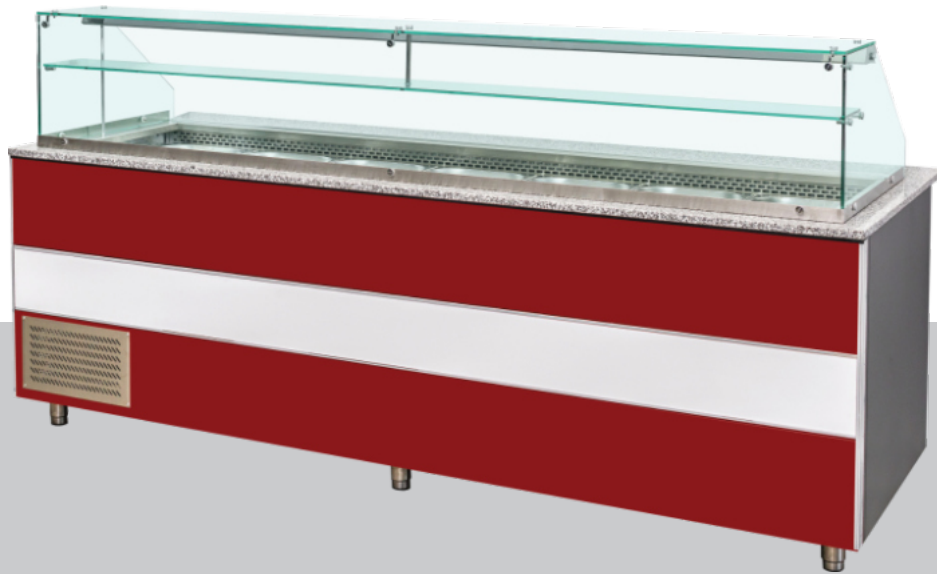
NIGHT CURTAINS



REMOVABLE FRONT

INTERIOR MADE OF ACID-RESISTANT
STAINLESS STEEL

SALAD COUNTER



STANDARD EQUIPMENT

- Energy-saving refrigerating unit
- Granite worktop
- Dynamic cooling
- Illuminated lower front panel - LED
- Front colour can be changed
- Gastro feet
- Ventilation over GN containers
- Night curtains
- Opening door - full
- Automatic condensate evaporation
- Ecological polyurethane foam insulation
- External casing of powder-coated sheet metal
- Storage chambers made of OH-18 stainless steel sheet
- Rack for GN containers
- Glass extension with straight glass and lighting
- Additional painted shelf
- All glasses are tempered



INTERIOR TEMPERATURE RANGE
+2°C TO +8°C*



DYNAMIC COOLING



MODULAR SYSTEM



REFRIGERANT 452A



REMOVABLE FRONT



INTERIOR MADE OF ACID-RESISTANT
STAINLESS STEEL



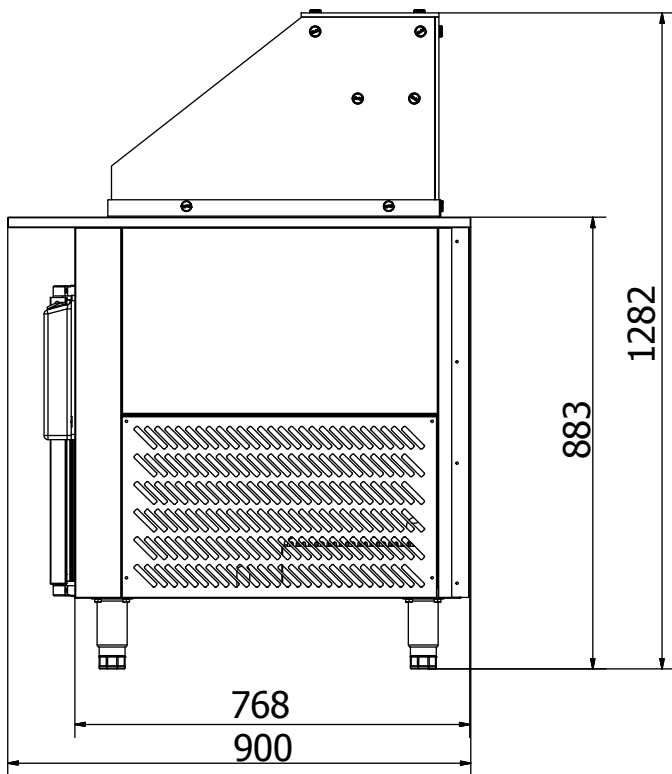
ALTERNATIVE VERSIONS



CASH
DESK



BAIN-MARIE
+30°C to +60°C*



MODULES

SYMBOL	LENGTH INCLUDING SIDES** [mm]	UNIT	NUMBER OF GN CONTAINERS* [pcs]	WEIGHT [kg]
LS G210-10G	1100	+	3x 1/1	170
LS G210-15G	1500	+	4x 1/1	220
LS G210-20G	2000	+	5x 1/1 + 1x 2/4	274
LS G210-25G	2500	+	7x 1/1	320
LS G210-30G	3000	+	8x 1/1 + 1x 2/4	370

*GN containers available as optional equipment



BAIN-MARIE



STANDARD EQUIPMENT

- Granite worktop
- High quality heaters
- Illuminated lower front panel - LED
- Front colour can be changed
- Gastro feet
- Shelf in the rear part of the casing
- Ecological polyurethane foam insulation
- External casing of powder-coated sheet metal
- Bain-marie tube made of acid resistant stainless steel
- Rack for GN containers
- Glass extension with straight glass and lighting
- All glasses are tempered



BAIN-MARIE
+30°C to +60°C*



MODULAR SYSTEM



REMOVABLE FRONT



INTERIOR MADE OF
ACID-RESISTANT
STAINLESS STEEL



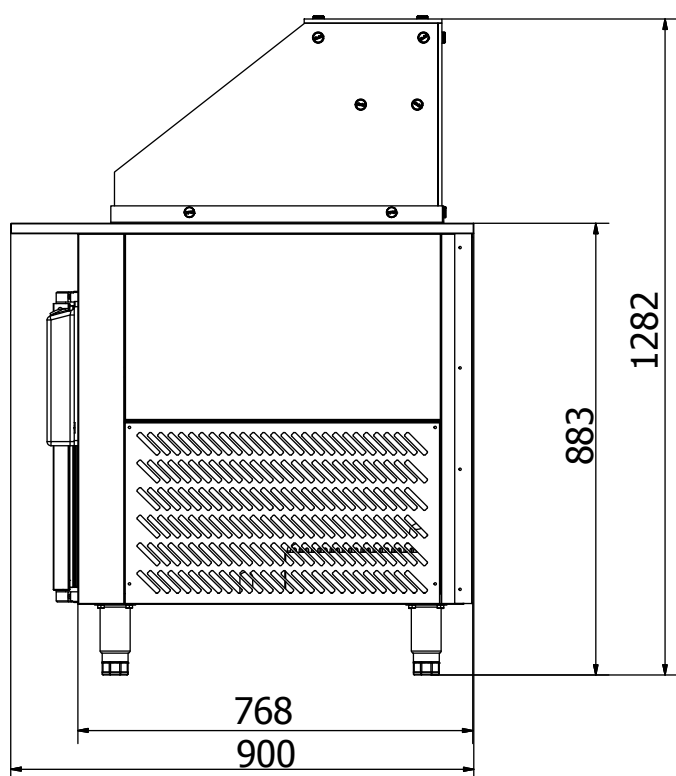
ALTERNATIVE VERSIONS



CASH
DESK



COOLING
SALAD COUNTER



MODULES

SYMBOL	LENGTH INCLUDING SIDES** [MM]	UNIT	NUMBER OF GN CONTAINERS* [pcs]	WEIGHT [kg]
LS G271-10G	1100	-	3x 1/1	148
LS G271-15G	1500	-	4x 1/1	197
LS G271-20G	2000	-	5x 1/1 + 1x 2/4	240

*GN containers available as optional equipment



Cashdesk



STANDARD EQUIPMENT

- Granite worktop
- Illuminated lower front panel - LED
- Front colour can be changed
- Gastro feet
- Drawer
- External casing of powder-coated sheet metal
- OPTIONALLY: Glass extension with straight glass and lighting



MODULAR SYSTEM



REMOVABLE FRONT



COMPATIBLE IN THE SERIES



COOLING
SALAD COUNTER



BAIN-MARIE
+30°C to +60°C*

*At an ambient temperature of +25°C and humidity of 60%)



MODULES

SYMBOL	LENGTH INCLUDING SIDES** [MM]	DEPTH [mm]	WEIGHT [kg]
G285-05G	500	900	42
G285-06G	600	900	50
G285-07G	700	900	58
G285-08G	800	900	65
G285-09G	900	900	70
G285-10G	1000	900	80
G285-15G	1500	900	120

SALAD COUNTER



LineaGastro LAGUNA



STANDARD EQUIPMENT

- Energy-efficient LED lighting
- Energy-saving refrigerating unit
- Supply of warm air onto the glass
- Frame (aluminium profiles) - RAL7047 or gold colour
- Electronic temperature controller with digital display
- Feet for levelling the device
- Sliding door
- Dynamic cooling
- Wooden casing
- Illuminated lower front panel
- Defrosting (automatic)
- Automatic condensate evaporation
- Insulated glass
- Height adjustable display shelves



INTERIOR TEMPERATURE RANGE
+4°C TO +8°C*



DYNAMIC
COOLING



REFRIGERANT 452A



INSULATED GLASS



OPTIONAL EQUIPMENT

- Humidity control system
- Bogie bumper



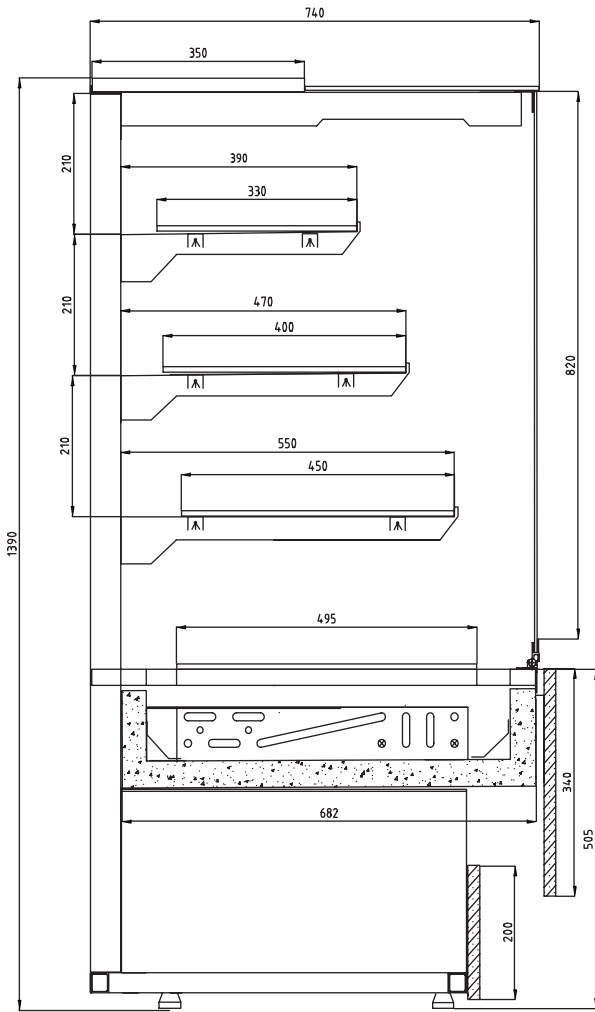
ALTERNATIVE VERSIONS



CASH
DESK



NEUTRAL
VERSION



MODULES

SYMBOL	LENGTH INCLUDING SIDES* [MM]	DISPLAY AREA [m ²]	UNIT	WEIGHT [kg]
C-09 Laguna LG	940	1,65	+	260



*At an ambient temperature of +25°C and humidity of 60%
 **Side thickness 40 mm

NEUTRAL EQUIPMENT

FRUIT AND VEGETABLE ISLAND 287

FRUIT AND VEGETABLE MULTIDECK 289

FRUIT AND VEGETABLE ISLAND



STANDARD EQUIPMENT

- Robust construction with high-quality steel profiles
- Stainless steel railing
- Colouring of racks according to RAL palette
- Price holder
- Set of castors
- Wicker baskets for 1/4 castor module

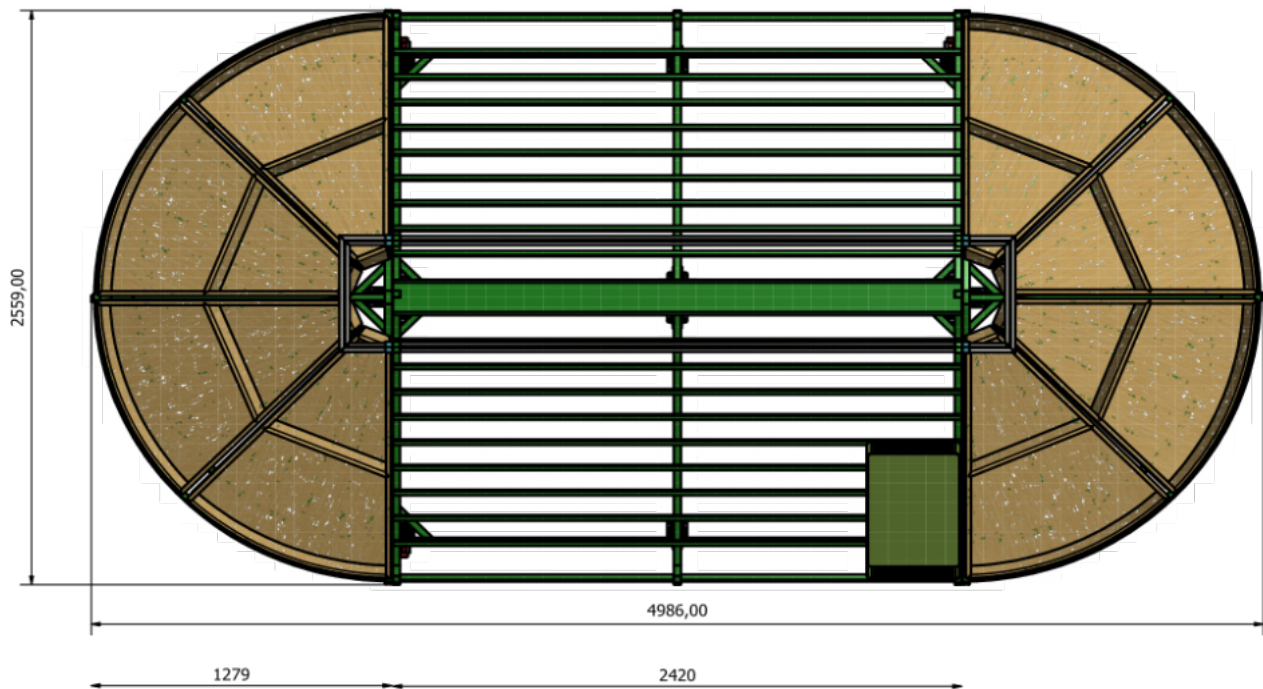


MODULAR
SYSTEM



OPTIONAL EQUIPMENT

- Boxes for fruit and vegetables
- Wicker baskets (for simple module)



MODULES

SYMBOL	LENGTH [mm]	WICKER BASKETS	NUMBER OF BOXES*	WEIGHT [kg]
Fruit-vegetable island 1/2 castor	1280	YES - 4 pcs.	-	330
1.25m module x 2	1250	Option	12	220
2.05m module x 2	2005	Option	20	300
2.45m module x 2	2450	Option	24	360



*Boxes and baskets are available as optional equipment

Fruit and vegetable island



www.cold.pl



cold@cold.pl



+48 14 611 11 78

FRUIT AND VEGETABLE MULTIDECK



STANDARD EQUIPMENT

- Illuminated steel extension
- Mirrors
- Stainless steel railing
- Colouring of racks according to RAL palette
- Price holder
- Set of castors
- Wicker baskets for 1/4 castor module
- Robust construction with high-quality profiles

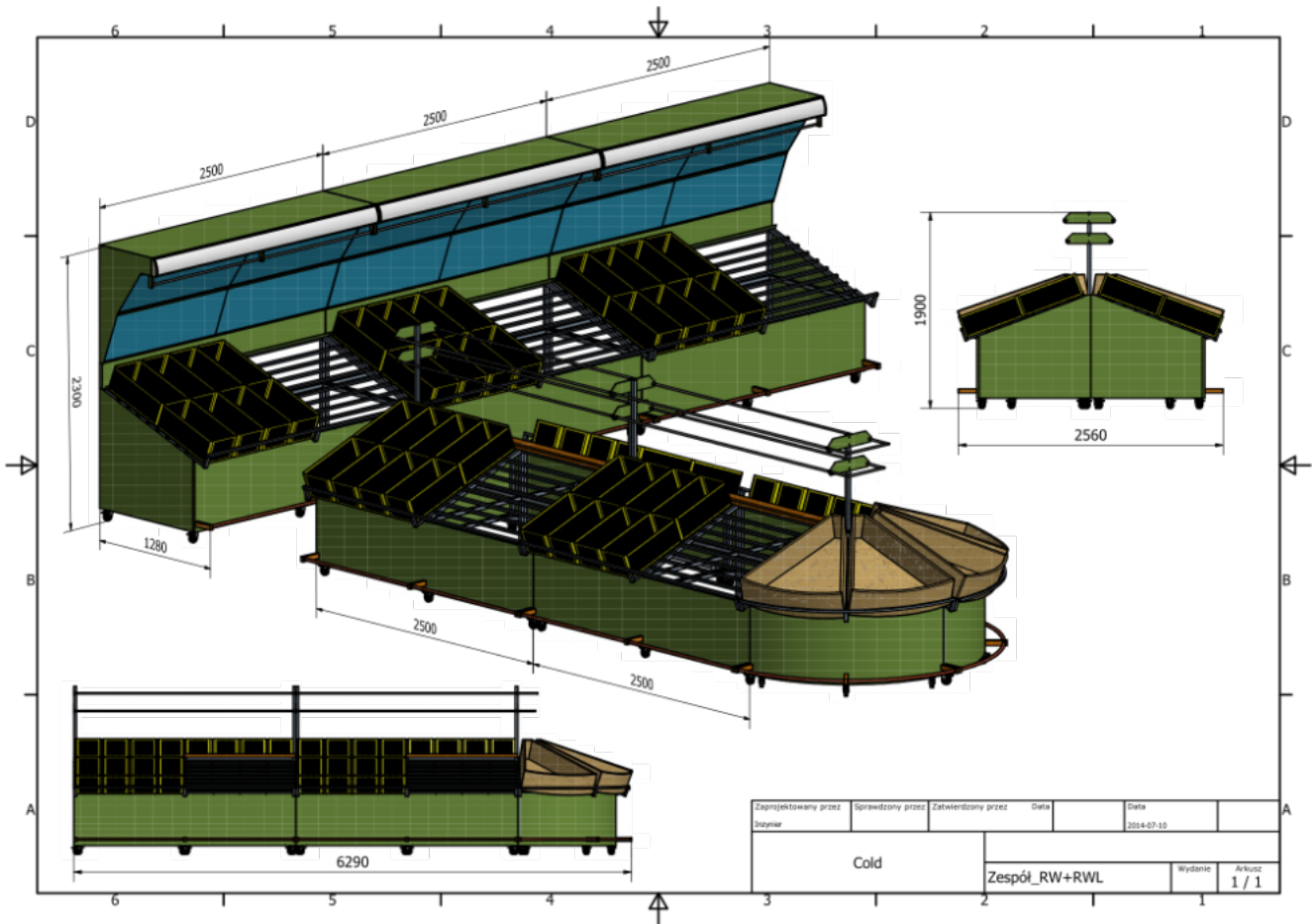


MODULAR
SYSTEM



OPTIONAL EQUIPMENT

- Boxes for fruit and vegetables
- Wicker baskets



MODULES

SYMBOL	LENGTH [mm]	WICKER BASKETS	NUMBER OF BOXES*	WEIGHT [kg]
1.25m module x 2	1250	Option	6	110
2.05m module x 2	2005	Option	10	185
2.45m module x 2	2450	Option	12	205



*Boxes and baskets are available as optional equipment

HAND DISINFECTION STATIONS

SaniPoint295

SANIPOINT

SaniPoint

Device facilitating maintenance of high hygiene level in public places such as supermarkets, shopping malls, banks, stations, post offices, petrol stations, hotels, car showrooms, public administration centers, schools



STANDARD EQUIPMENT

- Non-contact liquid/gel sanitiser
- Power supply
- Free-standing
- Robust powder-coated steel structure
- Feet allowing for precise levelling of the device
- Body – RAL7015; Base RAL3020;
- 5 l container for liquid (the set includes a container without liquid)
- Drip tray OH18 Stainless, acid resistant, painted in base colour
- Glove holder
- Waste bin
- Back door with a lock
- 12V power supply



OPTIONAL EQUIPMENT

- Any RAL colour
- Wheels
- No glove holder
- Your own branding
- Battery power 12VDC



MODULES

SYMBOL	WIDTH [mm]	HEIGHT [mm]	DEPTH [mm]	WEIGHT[kg]
S-15 SP	600	1580	400	21

SaniPoint

SaniPoint S-15 SP



	BLACK MATT	BLACK	WHITE	BROWN	GREY	MILKY GREY	SILVER GREY	BLUE	GREEN	RED	BURGUNDY	LIME	BEIGE	ORANGE	YELLOW	SILVER CO	GOLD C23
NAME	BLACK MATT	BLACK	WHITE	BROWN	GREY	MILKY GREY	SILVER GREY	BLUE	GREEN	RED	BURGUNDY	LIME	BEIGE	ORANGE	YELLOW	SILVER CO	GOLD C23
METAL ELEMENTS	RAL9005	RAL9005	RAL9003	RAL8016	RAL7024	RAL7047	RAL9007	RAL5005	RAL6029	RAL3020	RAL3003	RAL6018	RAL1019	RAL2004	RAL1021	-	-
BUMPERS	-	✓	-	-	✓	-	-	-	-	✓	-	-	-	-	-	-	-
LABEL HOLDERS	-	✓	-	-	✓	-	-	✓	✓	✓	-	-	-	✓	-	-	-
PLASTIC SIDES	-	✓	-	-	✓	-	-	-	-	✓	-	-	-	-	-	-	-
ALUMINIUM PROFILES	✓	✓	-	-	-	✓	-	-	-	-	-	-	-	-	-	✓	✓
HIPS COLOURING	-	✓	✓	-	-	-	-	✓	✓	✓	-	-	-	✓	✓	✓	✓
DOOR PROFILES	-	✓	-	-	✓	-	-	-	-	-	-	-	-	-	-	-	-
RACKS	RAL9005	RAL9005	RAL9003	RAL8016	RAL7024	RAL7047	RAL9007	RAL5005	RAL6029	RAL3020	RAL3003	RAL6018	RAL1019	RAL2004	RAL1021	-	-

COLOURING

PROJECTS

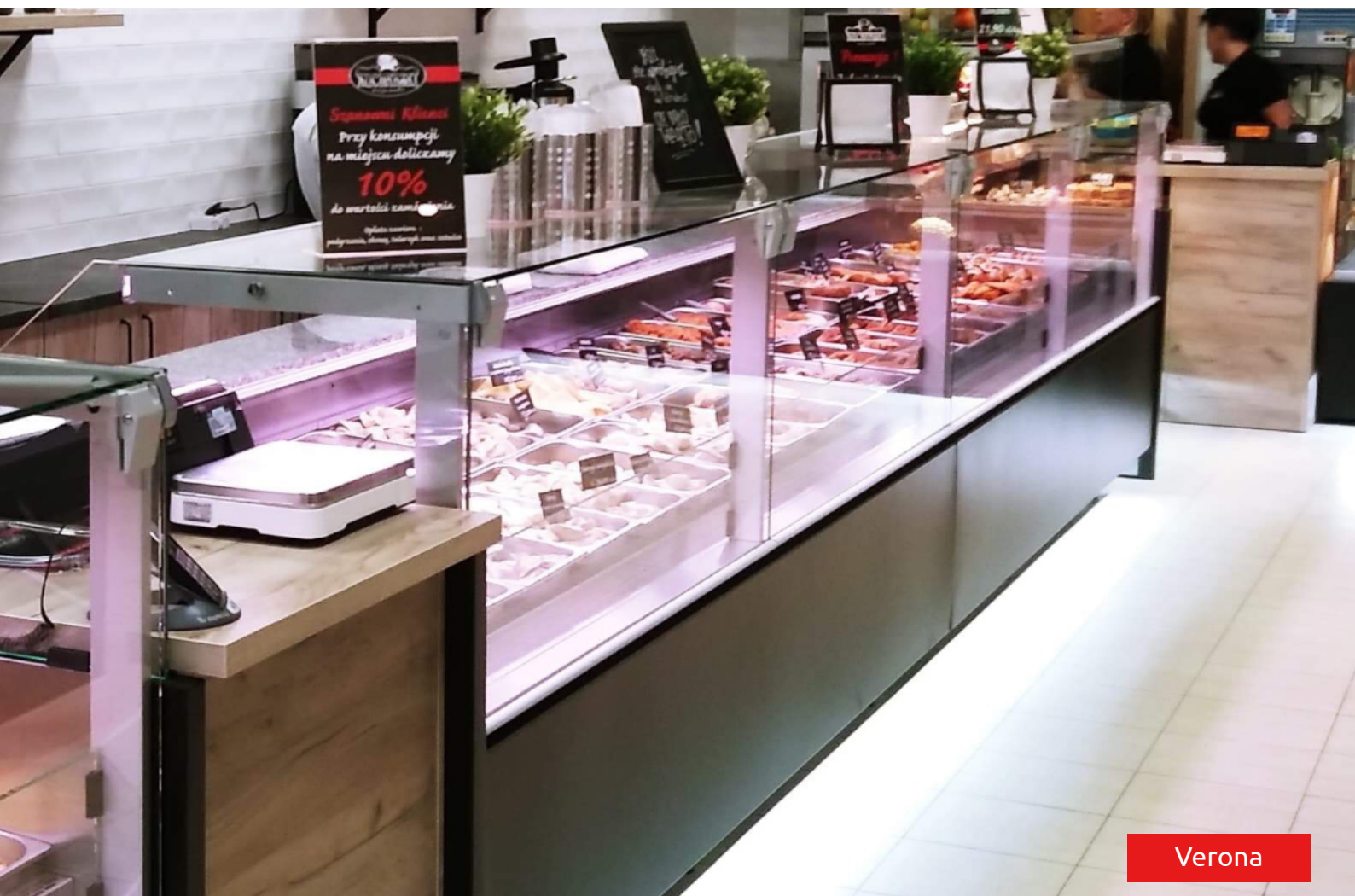


Modena



Modena









Verona



Verona / Malaga / Kredens RP



Verona



Verona / Kredens RB

Carmello



Malaga / Galaxy





Praga DR

GARMAŽERKA

WEDLINY

Gold



Oslo / Praga DR

Gold





Fruit and vegetable multideck / Vega



Arctic



Millenium

List of indications:

REFRIGERATED COUNTERS

s - gravity cooling
v - dynamic cooling
k - storage chambers
D - wooden casing
U - lift up front glass
SG - bent glass
B/A - without the unit
NZ - external corner
NW - internal corner
N - neutral equipment
SELF - self-service device
FISH - device for the fish
BEMAR - bain-marie device
HEAT - heating device
MR - freezing equipment (0°C to -6°C)
MR NT - freezing equipment (-6°C to -12°C)
II K - fixed partition
FT - device on feet

CABINETS

v - dynamic cooling
A/G - unit at the top
DP - swinging glass doors
DR - sliding glass doors
II DP - double glazing, swinging doors
II DR - double glazing, sliding doors
II K - fixed partitioning
GASTRO - equipment suitable for containers
GN 2/1
MR - freezer version

MULTIDECKS

/o - lowered multideck adapted to the outdoor unit
*... - the depth of the device is given in millimetres
/W - enlarged display space
DR - sliding glass doors
DP - swinging glass doors
B/A - without the unit



Order number

ORDER

Company Name

NIP No [Tax ID No]:

Ordering person

Contact us at

Item	SYMBOL	QTY	SERIAL CONSTRUCTION	UNIT	DEPTH	COLOURING								
						BUMPER	WORKTOP	FRONT	SIDES	DOOR PROFILES	ALUMINUM PROFILES	HOUSING	CENTRE	
1.														
2.														
3.														
4.														
5.														
6.														
7.														
8.														
9.														
10.														

OPTIONAL EQUIPMENT:

FOR ITEM 1.
FOR ITEM 2.
FOR ITEM 3.
FOR ITEM 4.
FOR ITEM 5.
FOR ITEM 6.
FOR ITEM 7.
FOR ITEM 8.
FOR ITEM 9.
FOR ITEM 10.

Notes

Signature / stamp